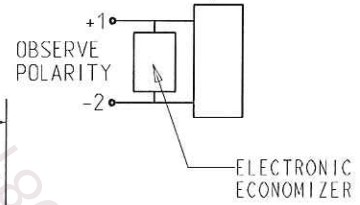
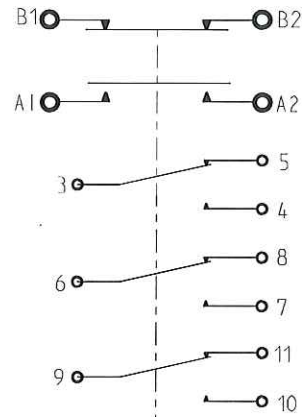
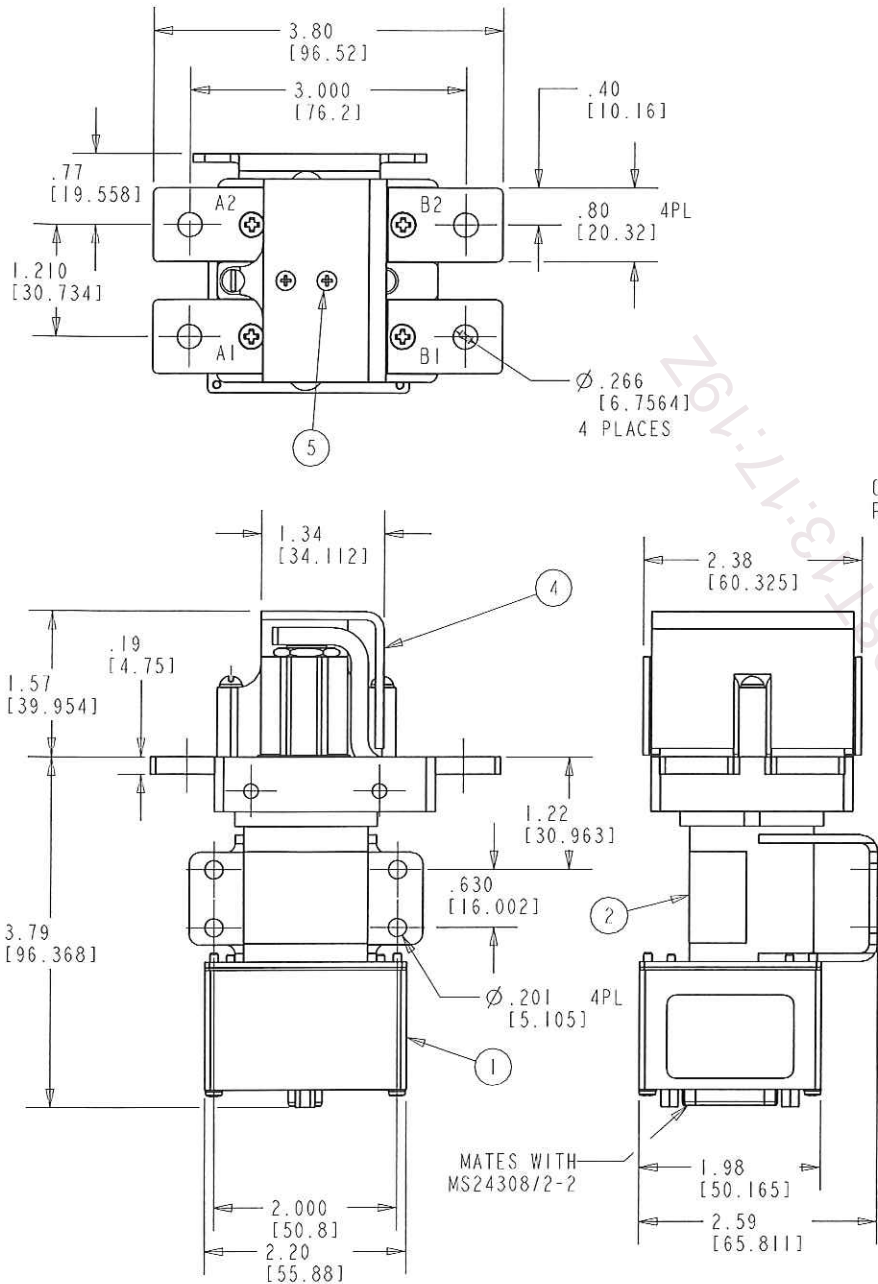


KD400A7C

REV. A

REVISIONS		RELEASED	
REV.	DESCRIPTION	DATE	APPROVED
A	RELEASED TO PRODUCTION	16-02-10	



CONSTRUCTION	GASKET SEALED
MAIN CONTACTS CONFIGURATION	1 N.C + 1 N.O. DB
VOLTAGE (NOMINAL)	28VDC
CURRENT RESISTIVE RUPTURE	400 AMPS 4000 AMPS
AUXILIARY CONTACTS CONFIGURATION	3PDT
VOLTAGE	28 VDC
RESISTIVE BOUNCE	5 AMP MAX 5 mS
COIL DATA DUTY CYCLE	CONTINUOUS (ECONOMIZED)
VOLTAGE	28VDC
NOMINAL OPERATING PICKUP	18 TO 32 VDC 18 VDC 20 VDC AT +85°C 1.5-7 VDC
DROPOUT ENERGIZED PICKUP TIME	25 mS AT 25°C (SEE NOTE 1)
DE-ENERGIZED DROPOUT TIME	25 mS AT 25°C (SEE NOTE 1)
BOUNCE CURRENT	5 mS
INRUSH MAX. HOLD MAX.	12 AMPS 0.6 AMPS
ENVIRONMENTAL DATA TEMPERATURE	-55°C TO +85°C
ALTITUDE	50,000 FT
LIFE ELECTRICAL MECHANICAL	50,000 CYCLES 100,000 CYCLES
WEIGHT MAX	2.0 LBS.

FIND NO.	QTY RECD.	PART OR IDENTIFYING NO.	NOMENCLATURE OR DESCRIPTION	DRAWING OR SPECIFICATION	FSCM NO.	TE PART NO.	MATERIAL OR NOTE
5	2	51204-241	SCREW 4-40 X 3/16 FL HD				1-1616344-9
4	1	48312-001	TERMINAL SHIELD				9-1616984-9
3	1	48266-020	PRIMARY ASSEMBLY				1616986-7
2	1	44900-026	SCHEMATIC				1-1616992-6
1	1	44899-047	NAMEPLATE				1-1616992-5

UNLESS OTHERWISE SPECIFIED DIMENSIONS ARE IN INCHES TOLERANCES ON

2 PL DEC.	3 PL DEC.	ANGLES
± .06	± .010	± 1°

DR BY: RSS 11-10-07
 CHK BY: **255 16-02-22**
 ENGR: RSS 11-10-07
 MFG: **1616986-6**

SIZE: A CODE IDENT: 74063

SCALE: scale SHEET 1 OF 1

STE
 Harman Division 175 N. DIAMOND STREET MANSFIELD, OHIO 44902

CONTACTOR - 1 N.O. / 1 N.C.
 400 AMPS, 28 VDC

DWG NO. KD400A7C

REF TE PN 1616986-6

NOTES:
 1. ENERGIZED: B1-B2 MAINS WILL OPEN GREATER THAN 1 mS BEFORE THE A1-A2 MAINS CLOSE
 DE-ENERGIZED: A1-A2 MAINS WILL OPEN GREATER THAN 1mS BEFORE THE B1-B2 MAINS CLOSE