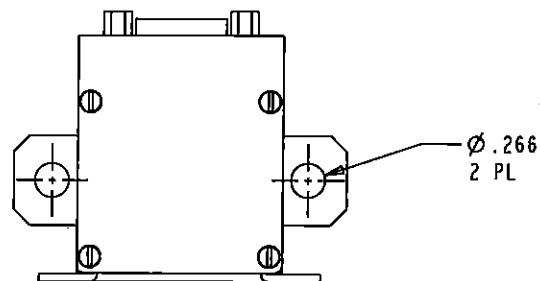
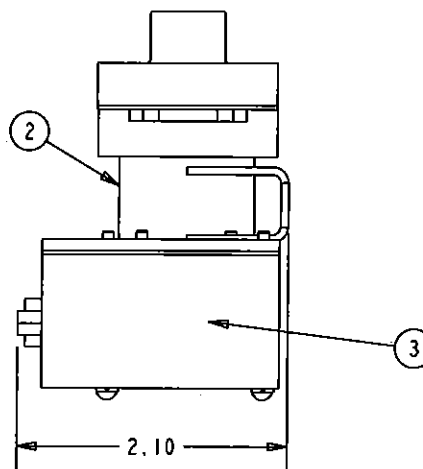
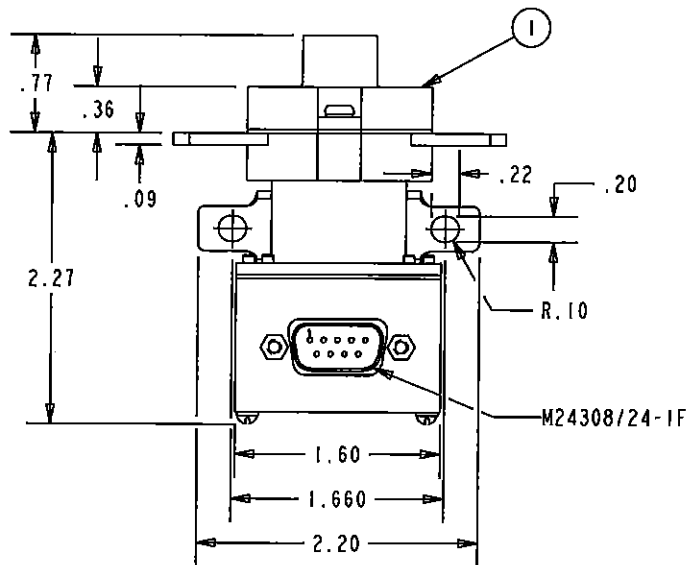
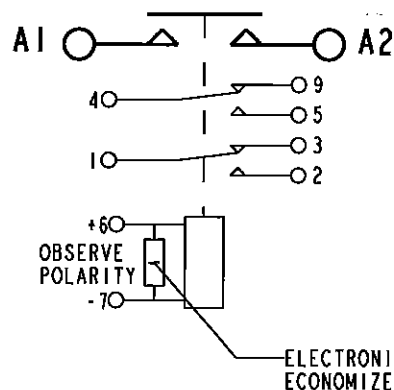
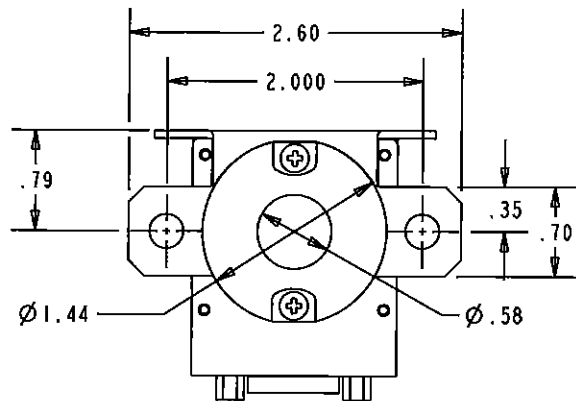


K200A3C

REV. A

REVISIONS		RELEASED	
REV.	DESCRIPTION	DATE	APPROVED
A	RELEASE TO PRODUCTION FROM REV.5	15/08/06	<i>[Signature]</i>



CONSTRUCTION GASKET SEALED

MAIN CONTACTS
 CONFIGURATION SPST N.O. DOUBLE BREAK
 VOLTAGE 28 VDC
 CURRENT RESISTIVE 200 AMPS
 MOTORLOAD 125 AMPS
 RUPTURE 2000 AMPS

COIL DATA
 DUTY CYCLE CONTINUOUS (ECONOMIZED)
 NOM. OPERATE VOLTAGE 28 VDC
 PICKUP VOLTAGE 18 VDC MAX
 DROP VOLTAGE 1-9 VDC
 PICKUP TIME 15 mS
 DROPOUT TIME 15 mS
 COIL CURRENT
 INRUSH 5 AMPS MAX AT 28 VDC & 25°C
 HOLDING 300 mA MAX AT 28 VDC & 25°C
 SUPPRESSION ±45 VDC

AUX CONTACTS
 CONFIGURATION 2 SPDT
 VOLTAGE 28 VDC
 CURRENT RES. 3 AMPS.

ENVIRONMENTAL DATA
 TEMPERATURE - 55° C TO + 85° C
 ALTITUDE 50,000 FEET

LIFE ELECTRICAL 50,000 CYCLES MIN.
LIFE MECHANICAL 100,000 CYCLES MIN.
MAX WEIGHT .43 LBS

3	1	48103-002	SCHMATIC DIAGRAM			8-1616990-3	
2	1	48102-004	NAME PLATE			9-1616977-1	
1	1	48057-050	PRIMARY ASSEMBLY			8-1616977-3	
FIG NO	QTY REQD	PART OR IDENTIFYING NO	NOMENCLATURE OR DESCRIPTION	DRAWING OR SPECIFICATION	FSCW NO	TE PART NO	MATERIAL OR NOTE
UNLESS OTHERWISE SPECIFIED DIMENSIONS ARE IN INCHES TOLERANCES ON							
2 PL DEC.		3 PL DEC.	ANGLES				
±.06	±.010	± 1°					
			DR BY RV 15/08/06	 Harman Division 175 N. DIAMOND STREET MANSFIELD, OHIO 44902 CONTACTOR - SPST N.O. DB 200 AMP, 28 VDC DWG NO. K200A3C REF TE PN 8-1616977-1			
			CHK BY MDM15-DR-07				
			ENGR RSS 15/08/06				
			MFG <i>[Signature]</i> 15/08/06				
SIZE A		CODE IDENT 74063					
SCALE NONE			SHEET 1 OF 1				