



MA/E6/S2/T1

690 CID "Quiet Steel" Assembly,
4W-70V transformer,
CITY OF CHICAGO-APPROVED

GENERAL DESCRIPTION

The MA/E6/S2/T1 is a 690 CID sound masking loudspeaker assembly consisting of an 8C10PAX - 8" O.D. dual cone loudspeaker with a 10 oz. magnet, TBL70 - 4W-70V transformer, and a bi-metal composite 'QuietSteel' enclosure. 4' suspension chain is supplied.

INTENDED USE - Indoor Environment

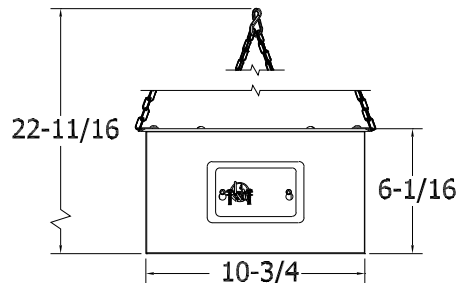
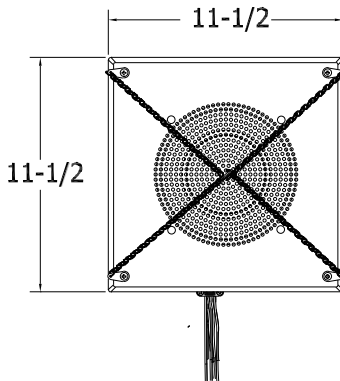
Program Material	<i>Primary Use</i> : Equalized random noise <i>Secondary Use</i> : Signal tones or equalized voice
Installation	Suspended by supplied chain mounting hardware between the structural deck and suspended ceiling deck in the following orientations: upwards, downwards or sideways.

AUDIO SPECIFICATIONS

Average Sensitivity	95 dB SPL, 1W/ 1M
Loudspeaker Power Rating	20W RMS, EIA 426A Standard
Calculated Output	101dB SPL, 4W/ 1M
Magnet Type & Weight	BeFe Ceramic, 10 oz.
Frequency Response	60Hz - 17 kHz EIA 426A Standard
Nominal Coverage Angle	90° Included Angle, -6 dB / 2 kHz, Half space
Audio Connection	Pre-cut 7" color coded leads
Mechanical Connection	Light steel chain, 4'-0" long, supplied

SYSTEM COMPONENTS

Loudspeaker	8C10PAX
Transformer	70V 4W-5 tap Color Coded Leads (4W, 2W, 1W, 0.5W, 0.25W)



<p>Recommended construction sequences, installation instructions, and A&E Specifications are available in various formats in the QUAM Architects' and Engineers' Resources section on the web at: www.QuamSpeakers.com</p>				<p>QUAM-NICHOLS COMPANY, INC. 234 East Marquette Rd. Chicago, IL. 60637 Tel: 1-800-NEED-NOW (800-633-3669) Fax: 1-888-NEED-NOW (888-633-3669) e-mail: NeedNow@QNC.com www.QuamSpeakers.com</p>
<p>© 2013 Quam-Nichols Company reserves the right to make changes and/or improvements to its products at any time and without notice.</p>				