



UL22/70

TILE REPLACEMENT

2' x 2' UL Listed Fire Signaling Device with an 8" Speaker and a 4W-70V Transformer

GENERAL DESCRIPTION

The **UL22/70** is a complete UL Listed, shallow depth, lightweight, tile replacement, fire-protective signaling device with an 8C10PAFR - 8" O.D. loudspeaker, 10 oz. magnet, fire retardant components and a 4W-70V rotary select transformer. Integral enclosure is 1,412 CID molded fiber. Grille is perforated steel with four (4) seismic tie-off points in a white powder coat finish. Line supervision capacitor is included. No assembly required.

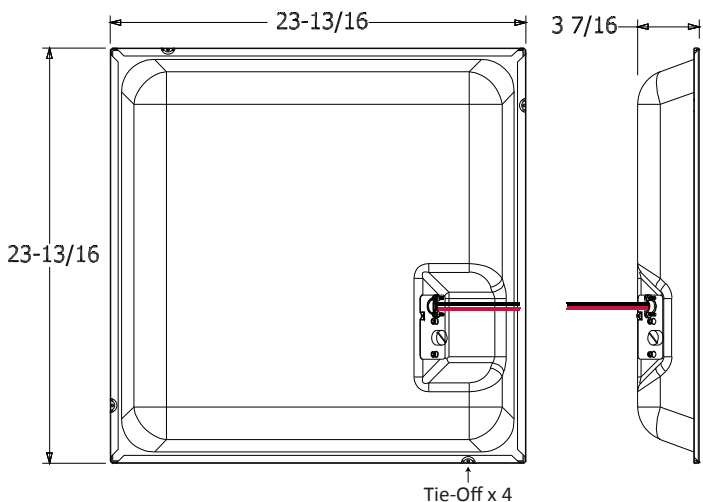


INTENDED USE - Indoor Environment

Program Material	Signal tones, voice, and music
UL LISTED 1480	As a Fire Protective Signaling Device - When installed with supplied installation instructions and requirements of NEC /AHJ. (UEAY, UEAY7- Canada)
UL LISTED 2043	Suitable for use in air-handling spaces
Installation	Mounted parallel to floor plane in a 24" wide suspended ceiling tile grid.

AUDIO SPECIFICATIONS

Sound Pressure dB-SPL @ 10 ft. per Tap	1/4=78.5, 1/2=81.3, 1=84.1, 2=87.2, 4=89.8
Loudspeaker Power Rating	20W RMS, EIA 426A Standard
Magnet Type & Weight	BeFe Ceramic, 10 oz. Nominal
Frequency Response	60 Hz - 17 kHz EIA 426A Standard
Nominal Coverage Angle	100° Included Angle, -6 dB / 2 kHz, Half space
Audio Connection	Common : Dual, Color-Coded Leads



SYSTEM COMPONENTS

Loudspeaker	8C10PAFR
Transformer	4W-70V : 5 tap, Rotary Select (4W, 2W, 1W, 0.50W, 0.25W)

Recommended construction sequences, installation instructions, and A&E Specifications are available in various formats in the QUAM Architects' and Engineers' Resources section on the web at: www.QuamSpeakers.com					QUAM-NICHOLS COMPANY, INC. 234 East Marquette Rd. Chicago, IL. 60637 Tel: 1-800-NEED-NOW (800-633-3669) Fax: 1-888-NEED-NOW (888-633-3669) e-mail: NeedNow@QNC.com www.QuamSpeakers.com
	© 2013 Quam-Nichols Company reserves the right to make changes and/or improvements to its products at any time and without notice.				