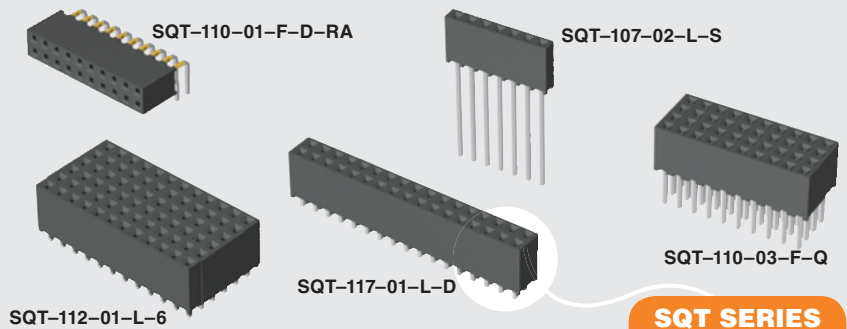




(2,00 mm) .0787"



SQT SERIES

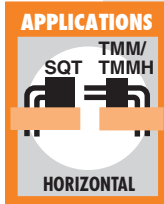
# COST-EFFECTIVE RUGGED SOCKETS

## SPECIFICATIONS

For complete specifications see [www.samtec.com?SQT](http://www.samtec.com?SQT)

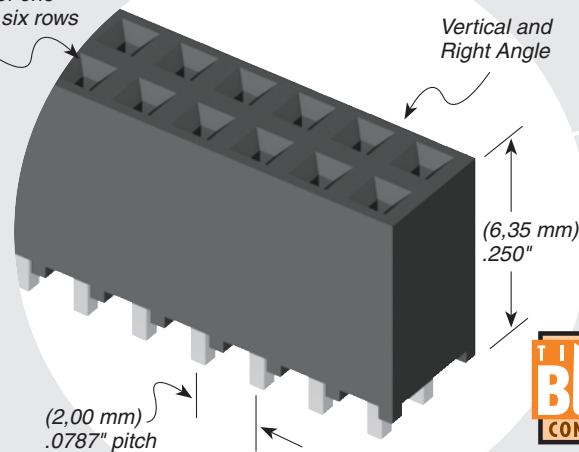
- Insulator Material:** Black Liquid Crystal Polymer
- Contact Material:** Phosphor Bronze
- Plating:** Sn or Au over 50µ" (1,27 µm) Ni
- Current Rating (TMMH/SQT):** 5.1 A per pin (1 pin powered per row)
- Voltage Rating:** 450 VAC mated with TMM or TMMH
- Operating Temp Range:** -55°C to +125°C
- Contact Resistance:** 10 mΩ
- Insertion Depth:** (2,62 mm) .103" to (5,03 mm) .198"
- Insertion Force:** (Single contact only) 4 oz (1,11 N) average
- Normal Force:** 60 grams (0,59 N) average
- Withdrawal Force:** (Single contact only) 3 oz (0,83 N) average
- Max Cycles:** 100 with 10µ" (0,25 µm) Au
- RoHS Compliant:** Yes
- Lead-Free Solderable:** Yes

Mates with: TMMH, TMM, MTMM, MMT, TW, LTMM, ZLTMM, ESQT, TCMD, PTT, TSH



Choice of one through six rows

Vertical and Right Angle



Note: Some lengths, styles and options are non-standard, non-returnable.

## RECOGNITIONS

For complete scope of recognitions see [www.samtec.com/quality](http://www.samtec.com/quality)



## Other Solutions

- Elevated**  
See ESQT Series.
- Surface Mount**  
See SQW and TLE Series.
- Low Profile**  
See CLT Series.
- High Reliability**  
See SMM Series.
- Press Fit**  
See PTF Series.

<b>SQT</b>	<b>1</b>	<b>NO. PINS PER ROW</b>	<b>LEAD STYLE</b>	<b>PLATING OPTION</b>	<b>ROW OPTION</b>	<b>OTHER OPTION</b>
		<b>02 thru 50</b>	Specify LEAD STYLE from chart	<ul style="list-style-type: none"> <li>-F = Gold flash on contact, Matte Tin on tail</li> <li>-L = 10µ" (0,25 µm) Gold on contact, Matte Tin on tail</li> </ul>	<ul style="list-style-type: none"> <li>-S = Single Row</li> <li>-D = Double Row</li> <li>-T = Triple Row</li> <li>-Q = Four Row</li> <li>-5 = Five Row</li> <li>-6 = Six Row</li> </ul>	<ul style="list-style-type: none"> <li>-RA = Right Angle (-Q, -5 &amp; -6 Row not available) (Lead Style -01 only)</li> <li>-"XXX" = Polarized Position (Indicate position number)</li> </ul>

LEAD STYLE	A
-01	(2,29) .090
-02	(15,24) .600
-03	(5,28) .208

No. of positions x (2,00) .0787 + (0,30) .012

(0,38) .015

(0,51) .020 SQ

(2,00) .0787 TYP

(6,35) .250

(1,27) .050

(2,29) .090

(2,00) .0787

-RA OPTION (-Q, -5 & -6 not available)