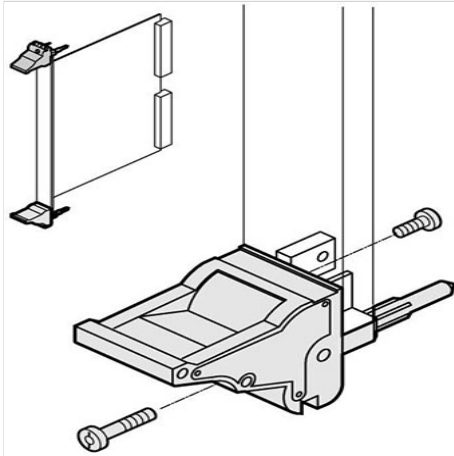


Schroff

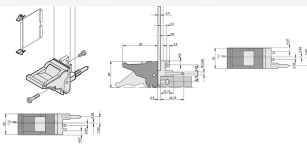
Inserter/extractor handle, type IEL, grey, top (Rear I/O bottom)

Catalog Number: 20817-622



- in accordance with IEEE 1101.10 and IEC 60297-3-102
- with locking
- suitable for insertion and extraction forces up to 700 N (per pair)
- suitable for fitting of microswitches
- block die-cast zinc, nickel plated
- with integrated alignment pin for perforated strip
- codable to IEEE 1101.10 and IEC 60297-3-103
- lever/key UL 94 V-0
- slotted Pozidrive collar screw, M2.5 x 12.3, St, nickel-plated
- panhead screw with Torx, M2.5 x 7, St, nickel-plated

Other Views



Description

Specification:

- IEC 60297-3-103
- IEEE 1101.10
- IEC 60297-3-102

Handle:

IEL

Type:

Individual Components

Standard:

- CompactPCI
- VME64x

Individual Component Type:

Handle

Product family:

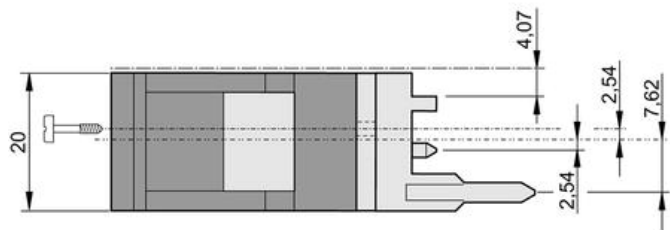
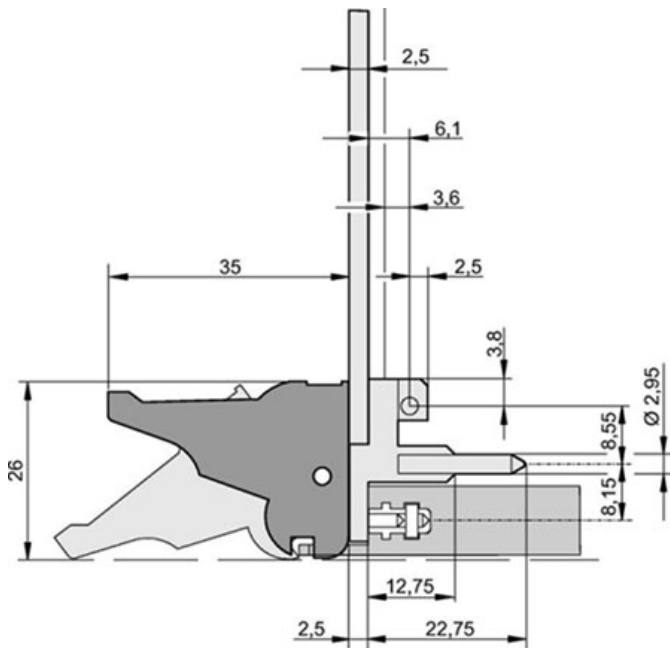
Plug-in units

Delivery Includes:

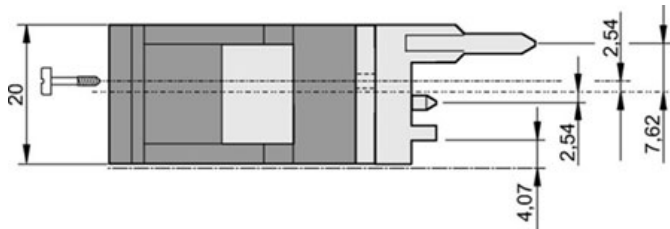
assembled

Delivery Comprises:

Item	Quantity	Description
1	1	Zn die-cast with integrated alignment pin for perforated strip and IEEE 1101.10 guide rail
2	1	Lever, plastic PC, UL 94 V-0
3	1	Key, plastic PC, UL 94 V-0
4	1	Pozidrive collar screw, M2.5 x 12.3, St, nickel-plated
5	1	Pan head screw with Torx, M2.5 x 7, St, nickel-plated



Bottom handle



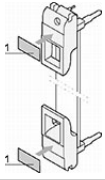


Upper handle

Technical Data

Catalog Number	20817-622
Qty	PU 10 pieces
Material	Plastic Lever, die-cast zinc base, UL 94 V-0
Finish	Lever: light grey, RAL 7035 Key: black, RAL 9005
Configuration	3 U Bottom Rear IO / 6 U Top Front / 6 U Bottom Rear I/O

Accessories

Item		
	Keying/coding, grey, for IEL/ IET handle, PU 100 pcs	20817-501
	Microswitch for IEL/IET handle, PU 10 pcs	20817-606
	Label strips for IEL/IET handle, white, sheet with 210pcs (19x9,5), PU 1 pcs	60817-340
	Label strips for IEL handle, white, sheet with 320pcs (19x4,8), PU 1 pcs	60817-341