

**Schroff**

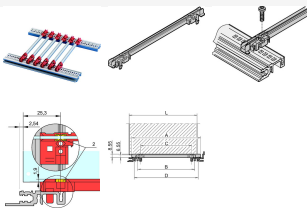
**Guide rail, 280 mm deep**

Catalog Number: 24560-379

- Plastic guide rail, one piece, red, for 2 mm groove width
- Assembly
- Storage temperature: from -40 °C ... 130 °C
- Can be clipped into horizontal rails in Al extrusion  
Can be clipped into 1.5 mm thick plate



Other Views



**Description**

---

**Product family:**

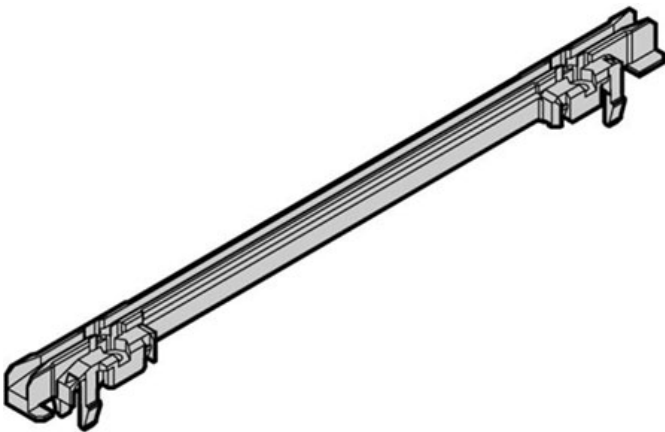
- CompacPRO
- EuropacPRO
- RatiopacPRO
- PropacPRO

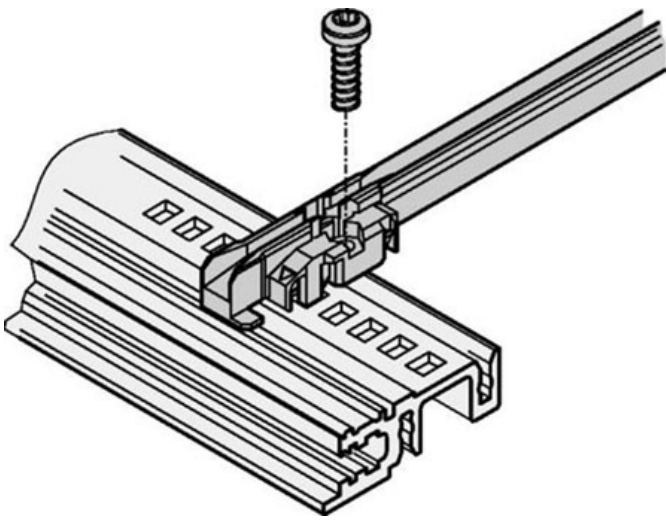
**Type:**

Individual Components

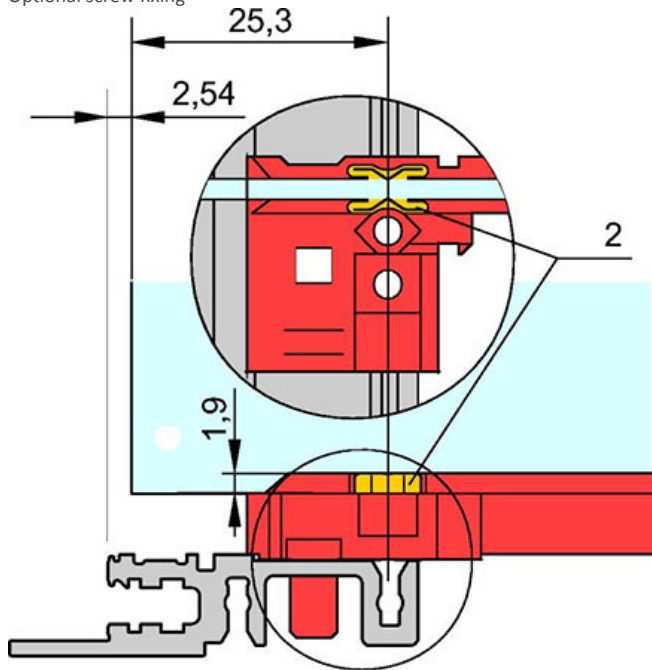
**Individual Component Type:**

Guide Rails & Accessories

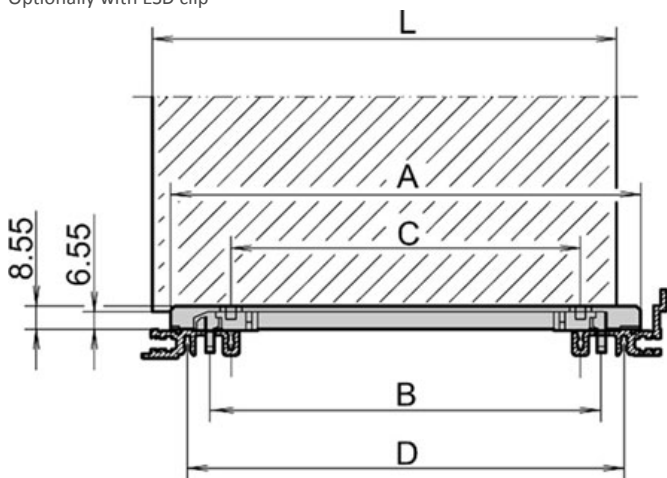




Optional screw fixing



Optionally with ESD clip



#### Technical Data

Catalog Number	<a href="#">24560-379</a>
Depth mm	280.0
Length mm	280.0
Qty	PU 10 pieces
Colour	red/silver
Material	PBT, UL 94 V-0
Description	For plug-in units and frame type plug-in units

## Accessories

---

Item			
	Panhead screw with Torx, M2.5 x 9.3, St, zinc-plated, self-locking, PU 100 pieces	21500-039	
	ESD clip for guide rails, Spring steel, tin-plated, silver, PU 50 pieces	24560-255	
	Panhead screw, Torx (2.5x9.3), self-tapping, steel zinc plated, PU 100 pcs	24560-141	