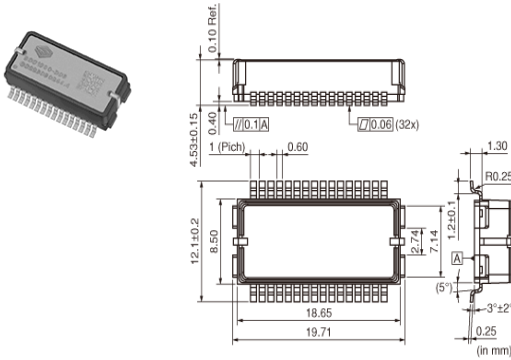


SCR1100-D04

In Production REACH

Appearance & Shape



Packaging Information

| Packaging | Specifications | Minimum Order Quantity |
|-----------|---------------------|------------------------|
| -05 | 330mm Embossed Tape | 50 |

Attention

1. This datasheet is downloaded from the website of Murata Manufacturing Co., Ltd. Therefore, its specifications are subject to change or our products may be discontinued without advance notice. Please check with our sales representatives or product engineers before ordering.
 2. This datasheet has only typical specifications because there is no space for detailed specifications. Therefore, please review our product specifications or consult the approval sheet for product specifications before ordering.

SCR1100-D04

Specifications

| | |
|-----------------------------|-------------|
| Output Type | SPI |
| Supply Voltage | 3.3&5.0V |
| Axis | 1(X) |
| Mass | 1.17g |
| Maximum Angular Velocity | ,300deg/s |
| Sensitivity | 18Count/dps |
| Offset Temp. Characteristic | +/-0.9dps |
| Amplitude Response | 50Hz |

Attention

1.This datasheet is downloaded from the website of Murata Manufacturing Co., Ltd. Therefore, it's specifications are subject to change or our products may be discontinued without advance notice. Please check with our sales representatives or product engineers before ordering.
2.This datasheet has only typical specifications because there is no space for detailed specifications.
Therefore, please review our product specifications or consult the approval sheet for product specifications before ordering.