

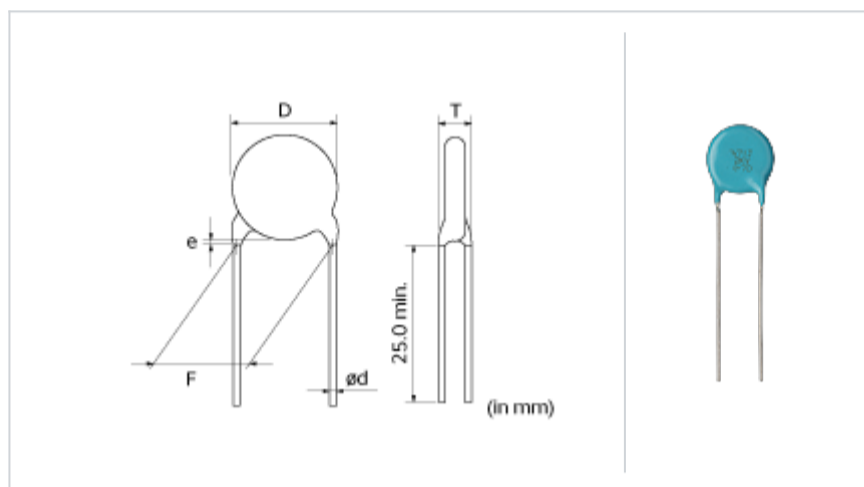
# DEA1X3A470JC1B

" # " indicates a package specification code.



< List of part numbers with package codes >  
DEA1X3A470JC1B

### Shape



L size or outer diameter D (mm)	4.5 mm max.
T size	4.0 mm max.
Lead spacing F	5.0 ± 1.0mm
Lead diameter d	0.5 ± 0.05mm
Paint dripping e	3.0mm max.

### Specifications

Capacitance	47pF ± 5%
Rated voltage	1000Vdc
Temperature characteristics (complied standard)	SL(JIS)
Temperature coefficient	+350 to -1000ppm/
Temperature range of temperature characteristics	20 to 85
Operating temperature range	-25 to 125

### Notes

Please use replacement

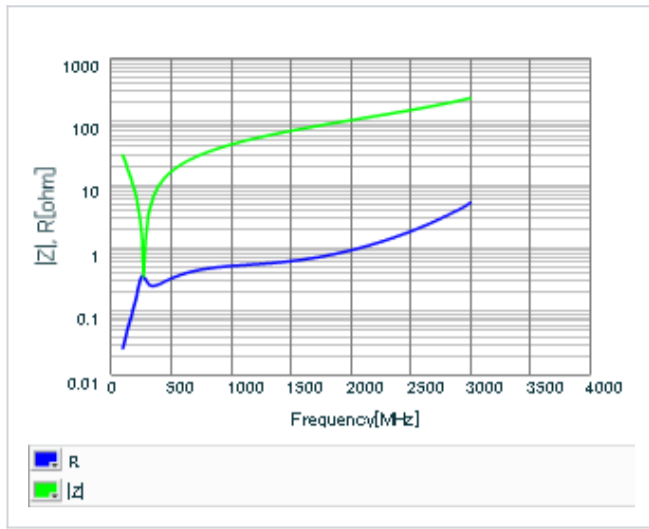
### References

Packaging	Specifications	Minimum quantity
B	Packing in bulk	500

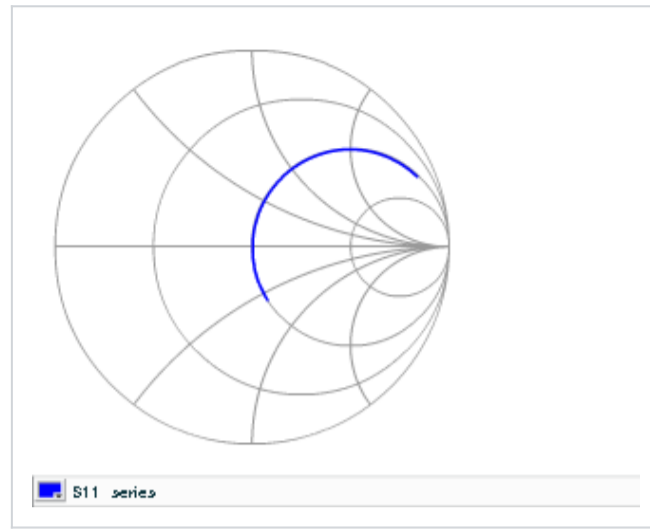
### ⚠ Attention

- 1.This datasheet is downloaded from the website of Murata Manufacturing Co., Ltd. Therefore, it ' s specifications are subject to change or our products in it may be discontinued without advance notice. Please check with our sales representatives or product engineers before ordering.
- 2.This datasheet has only typical specifications because there is no space for detailed specifications. Therefore, please review our product specifications or consult the approval sheet for product specifications before ordering.

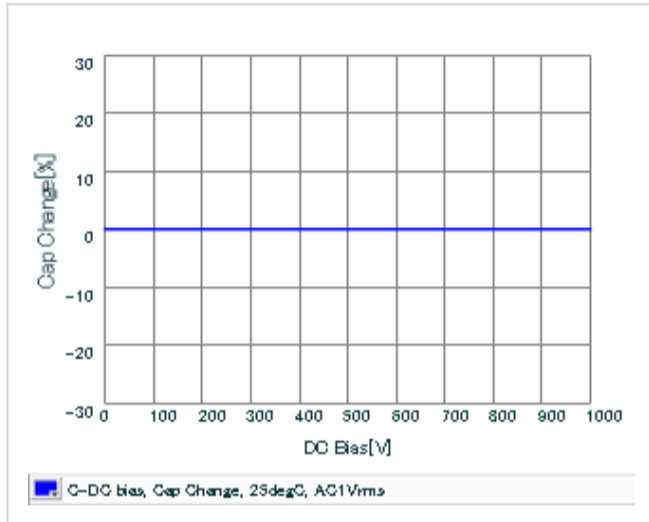
▪ Frequency characteristics (ESR, Impedance)



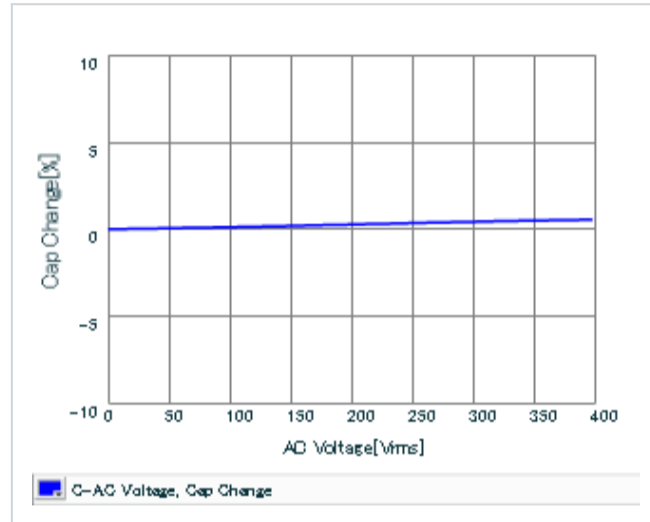
▪ S parameter (Smith chart S11)



▪ DC bias characteristics



▪ AC voltage characteristics



▪ Capacitance - temperature characteristics

