

ISSUE 9; October 2015

**Description**

- Standard 3.2 x 2.5mm SMD crystal in a ceramic package with a seam sealed metal lid, hermetically sealed.

**Frequency Parameters**

- Frequency 10.0MHz to 200.0MHz
- Frequency Tolerance  $\pm 10.00\text{ppm}$  to  $\pm 50.00\text{ppm}$
- Tolerance Condition @ 25°C
- Frequency Stability  $\pm 10.00\text{ppm}$  to  $\pm 50.00\text{ppm}$
- Ageing  $\pm 5\text{ppm}$  max per year @ 25°C

**Electrical Parameters**

- Load Capacitance (CL) 10.0pF to 75.0pF
- Shunt Capacitance (C0) 7pF max
- Drive Level 100µW max

**Operating Temperature Ranges**

- 10 to 60°C
- 20 to 70°C
- 40 to 85°C

**Environmental Parameters**

- Storage Temperature Range: -55 to 125°C
- Shock: MIL-STD-202F, Method 213B: 1000G, 0.5ms, 1/2 sine wave
- Vibration: MIL-STD-202F, Method 204D, Test Condition D: 20G (10Hz-2000Hz), 4hrs in 3 mutually perpendicular planes (total 12hrs)

**Ordering Information**

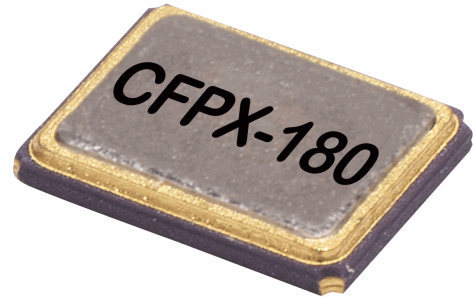
- Frequency\*
- Model\*
- Frequency Tolerance\*
- Frequency Stability (over operating temperature range)\*
- Operating Temperature Range\*
- Load Capacitance\*
- Overtone
- (\*minimum required)
- Example
- 20.0MHz CFPX-180
- 50/50/-40 to 85C/16 FUND

**Compliance**

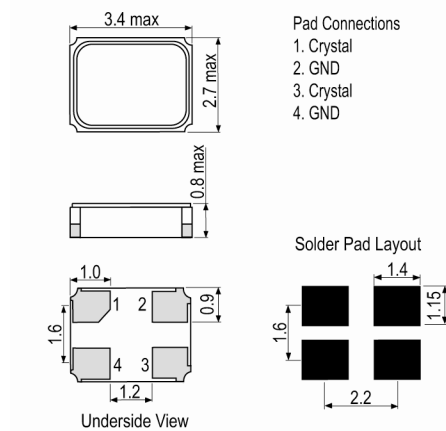
- RoHS Status (2011/65/EU) Compliant
- REACH Status Compliant
- MSL Rating (JDEC-STD-033): Not Applicable

**Packaging Details**

- Pack Style: R250 Tape & reel in accordance with EIA-481-D  
Pack Size: 250
- Pack Style: Cutt In tape, cut from a reel  
Pack Size: 1
- Pack Style: Reel Tape & reel in accordance with EIA-481-D  
Pack Size: 1,000
- Pack Style: Bulk Loose in bulk pack  
Pack Size: 100



**Outline (mm)**



**Sales Office Contact Details:**

UK: +44 (0)1460 270200  
Germany: 0800 1808 443

France: 0800 901 383  
USA: +1 408.273.4530

Email: [info@iqdfrequencyproducts.com](mailto:info@iqdfrequencyproducts.com)  
Web: [www.iqdfrequencyproducts.com](http://www.iqdfrequencyproducts.com)

Electrical Specification - maximum limiting values

Frequency Min	Frequency Max	Temperature Range	Stability Min*	Over Tone Order	ESR
		°C	ppm		Ω
10.0MHz	11.999999MHz	-10 to 60 -20 to 70 -40 to 85	±10 ±15 ±15	Fundamental	200
12.0MHz	15.999999MHz	-10 to 60 -20 to 70 -40 to 85	±10 ±15 ±15	Fundamental	120
16.0MHz	19.999999MHz	-10 to 60 -20 to 70 -40 to 85	±10 ±15 ±15	Fundamental	70
20.0MHz	29.999999MHz	-10 to 60 -20 to 70 -40 to 85	±10 ±15 ±15	Fundamental	50
30.0MHz	39.999999MHz	-10 to 60 -20 to 70 -40 to 85	±10 ±15 ±15	Fundamental	40
40.0MHz	54.0MHz	-10 to 60 -20 to 70 -40 to 85	±10 ±15 ±15	Fundamental	35
54.000001MHz	200.0MHz	-10 to 60 -20 to 70 -40 to 85	±30 ±30 ±30	Fundamental	60

\*Stability Maximum values ±50ppm

This document was correct at the time of printing; please contact your local sales office for the latest version.

[Click to view latest version on our website.](#)

Sales Office Contact Details:

UK: +44 (0)1460 270200  
Germany: 0800 1808 443

France: 0800 901 383  
USA: +1 408.273.4530

Email: [info@iqdfrequencyproducts.com](mailto:info@iqdfrequencyproducts.com)  
Web: [www.iqdfrequencyproducts.com](http://www.iqdfrequencyproducts.com)