

SMA Straight Plug Clamp



RoHS
Compliant



Specifications:

Electrical

Frequency Range : DC-12.4 GHz
 Nominal Impedance : 50Ω
 Voltage Rating : 500 Volts Max.
 VSWR : 1.274 Max.

Materials

Bodies : Brass Per JIS-C3604
 Centre Contact : Brass Per JIS-C3604
 Insulation : PTFE Per ASTM D1457 and ASTM D1710

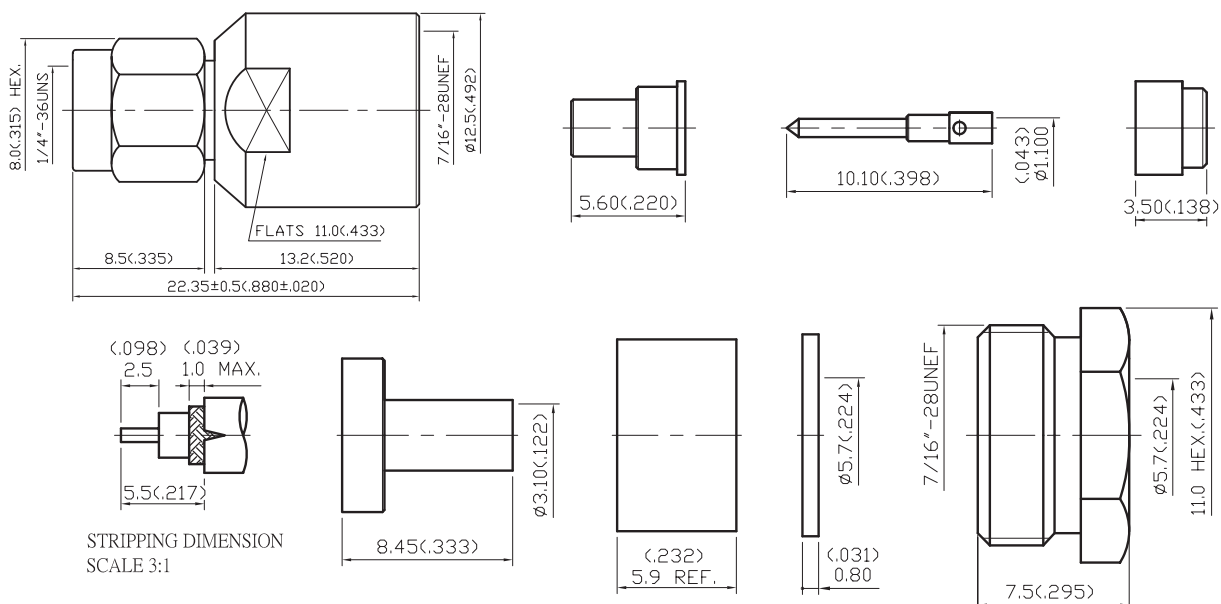
Mechanical

Interface in Accordance with : MIL-STD-348A
 For use with RG58U or Similar Style Cable
 Cable attachment : Outer Clamp, Inner: Solder
 Recommended Coupling Torque : 3 to 5 in-lbs

Environmental

Operating Temperature Range : -65°C to +165°C

Diagram:



Dimensions : Millimetres (Inches)

www.element14.com
 www.farnell.com
 www.newark.com



SMA Straight Plug Clamp



Specification Table

Number	Description	Material	Qty.	Finish
1	Shell	Brass	1	Gold 3 μ " Minimum
2	Gasket	Silicon		Red
3	Washer	Stainless Steel		None
4	Body	Brass		Gold 3 μ " Minimum
5	Insulation I	PTFE		None
6	Centre Contact	Brass		Gold 50 μ " Minimum
7	Insulation II	PTFE		None
8	Braid Clamp	Brass		Gold 3 μ " Minimum
9	Gasket	Silicon		Red
10	Washer	Brass		Gold 3 μ " Minimum
11	Nut			

Part Number Table

Description	Part Number
SMA Straight Plug Clamp	19-01F-3-TGG

Important Notice : This data sheet and its contents (the "Information") belong to the members of the Premier Farnell group of companies (the "Group") or are licensed to it. No licence is granted for the use of it other than for information purposes in connection with the products to which it relates. No licence of any intellectual property rights is granted. The Information is subject to change without notice and replaces all data sheets previously supplied. The Information supplied is believed to be accurate but the Group assumes no responsibility for its accuracy or completeness, any error in or omission from it or for any use made of it. Users of this data sheet should check for themselves the Information and the suitability of the products for their purpose and not make any assumptions based on information included or omitted. Liability for loss or damage resulting from any reliance on the Information or use of it (including liability resulting from negligence or where the Group was aware of the possibility of such loss or damage arising) is excluded. This will not operate to limit or restrict the Group's liability for death or personal injury resulting from its negligence. Multicomp is the registered trademark of the Group. © Premier Farnell plc 2012.

www.element14.com
www.farnell.com
www.newark.com

