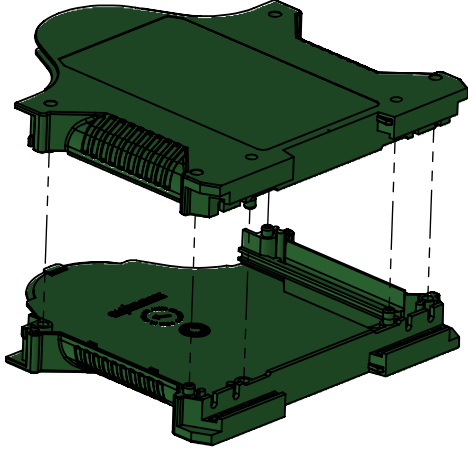


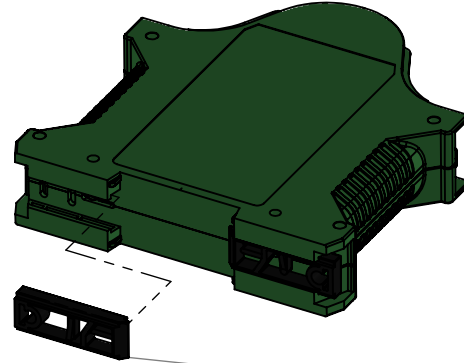
CVB-PLUS

ASSEMBLY INSTRUCTIONS

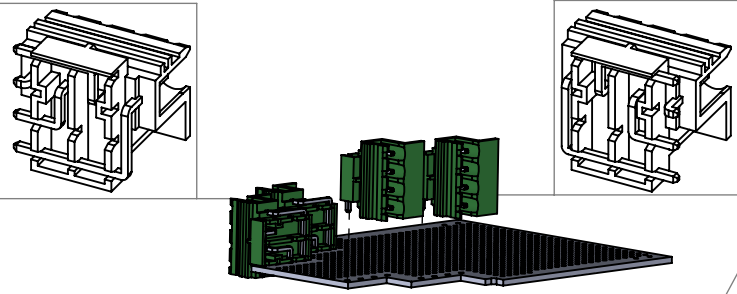
1. CLIP TWO HALVES TOGETHER



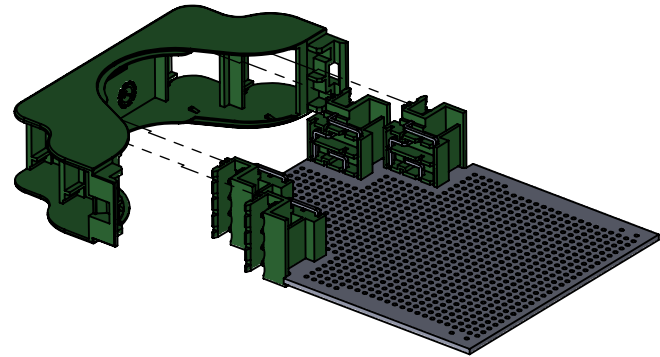
2. SLIDE IN DIN-RAIL CLIPS



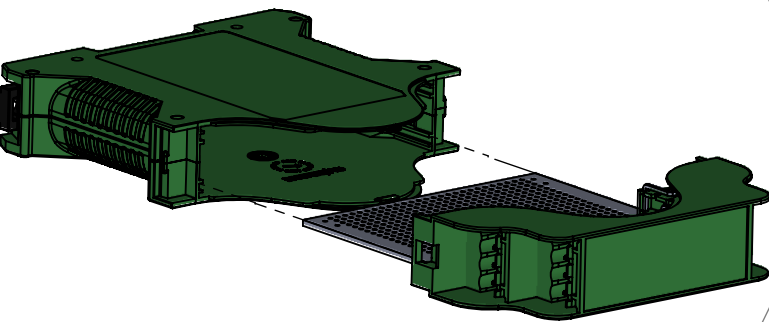
3. FIT TERMINAL BLOCKS TO PCB



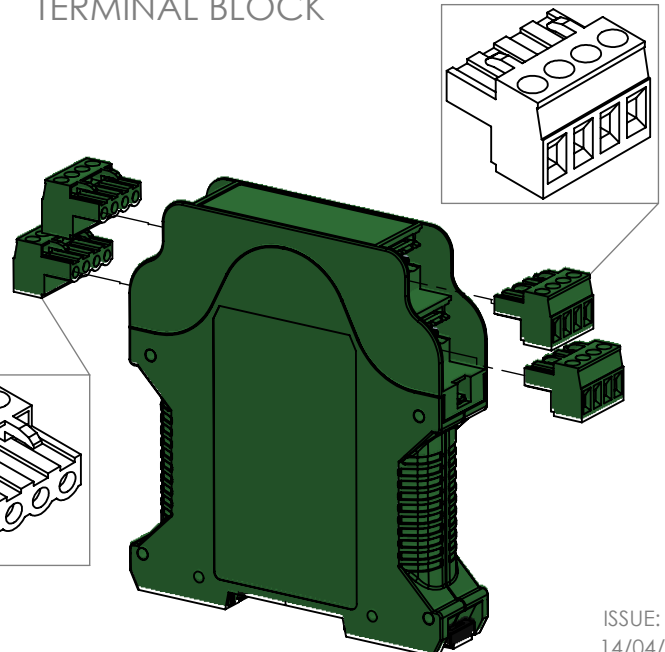
4. PUSH PCB INTO TOP



5. SLIDE PCB/TOP INTO BASE



6. ATTACH PLUGGABLE TERMINAL BLOCK



OPTIONAL DIN-RAIL MOUNTS

OR WALL MOUNT

DIN-RAIL MOUNT



"CLICK" "CLICK"

WALL MOUNT



PUSH CLIPS FURTHER OUT FOR WALL MOUNTING