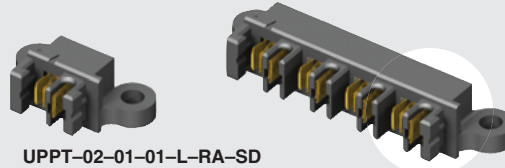
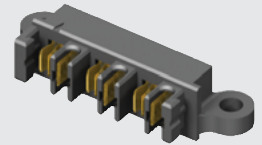




UPPT-08-01-01-L-RA-SD



UPPT-02-01-01-L-RA-SD



UPPT-06-01-01-L-RA-SD

UPPT SERIES

(3,81 mm) .150"

HERMAPHRODITIC 20 A POWER SYSTEM

SPECIFICATIONS

For complete specifications see www.samtec.com?UPPT

Insulator Material:

Black LCP

Terminal Material:

Copper Alloy

Plating:

Sn or Au over 50µ" (1,27 µm) Ni

Operating Temp Range:

-55° to +105°C with Tin;

-55° to +125°C with Gold

Voltage Rating:

425 VAC/600 VDC

RoHS Compliant:

Yes

Lead-Free Solderable:

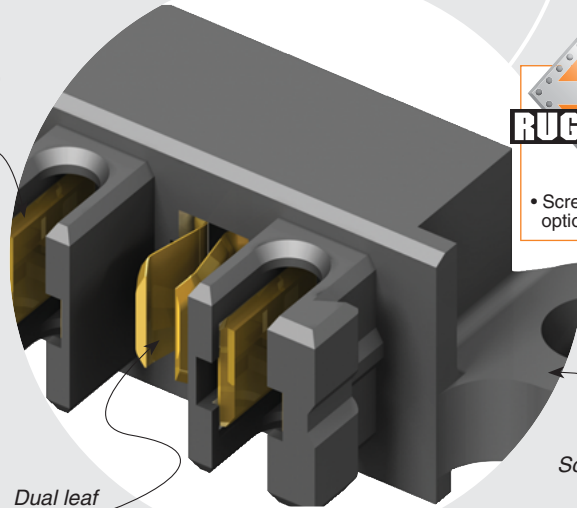
Yes

Mates with:

UPPT

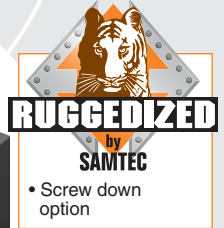
UPPT/UPPT	
PINS	CURRENT RATING (PER CONTACT)
1	21.4 A
2	19.8 A
3	17.1 A
4	16.9 A
ALL	14.1 A

Dual blade post



Dual leaf contacts

Screw Down



RECOGNITIONS

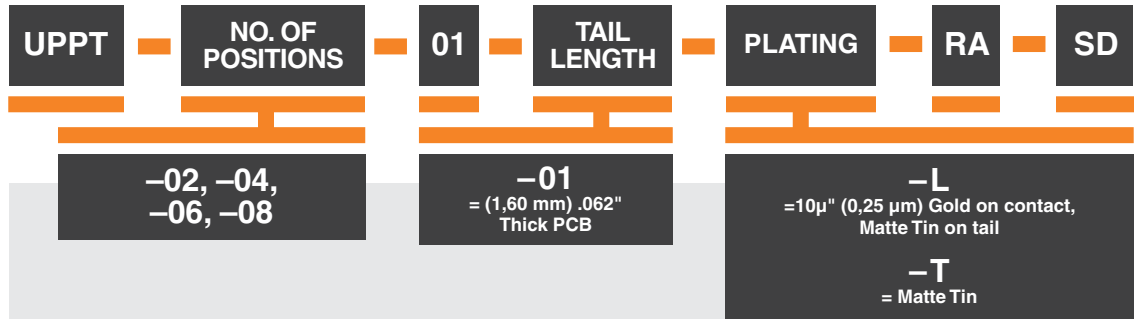
For complete scope of recognitions see www.samtec.com/quality



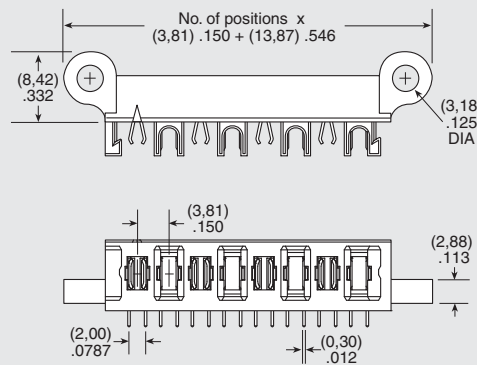
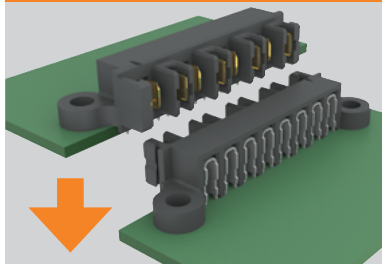
FILE NO. E111594

ALSO AVAILABLE (MOQ Required)

- Solder Leads for (2,36 mm) .093" thick board
- Locking Clip (Manual placement required)
- Tape & Reel Packaging Contact Samtec.



APPLICATION



Note: Some sizes, styles and options are non-standard, non-returnable.