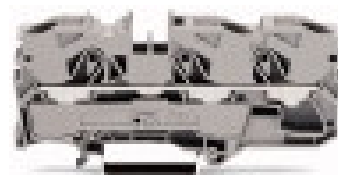


### 3-conductor through terminal block; suitable for Ex e II applications

Item No.: 2010-1301



3-conductor through terminal block; suitable for Ex e II applications

#### Marking

RoHS ✓  
Compliant

#### Business data

Supplier	WAGO
Item no.	2010-1301
GTIN / EAN	4017332011341
Content	1
Order amount	25
Customer item number	

#### Notes

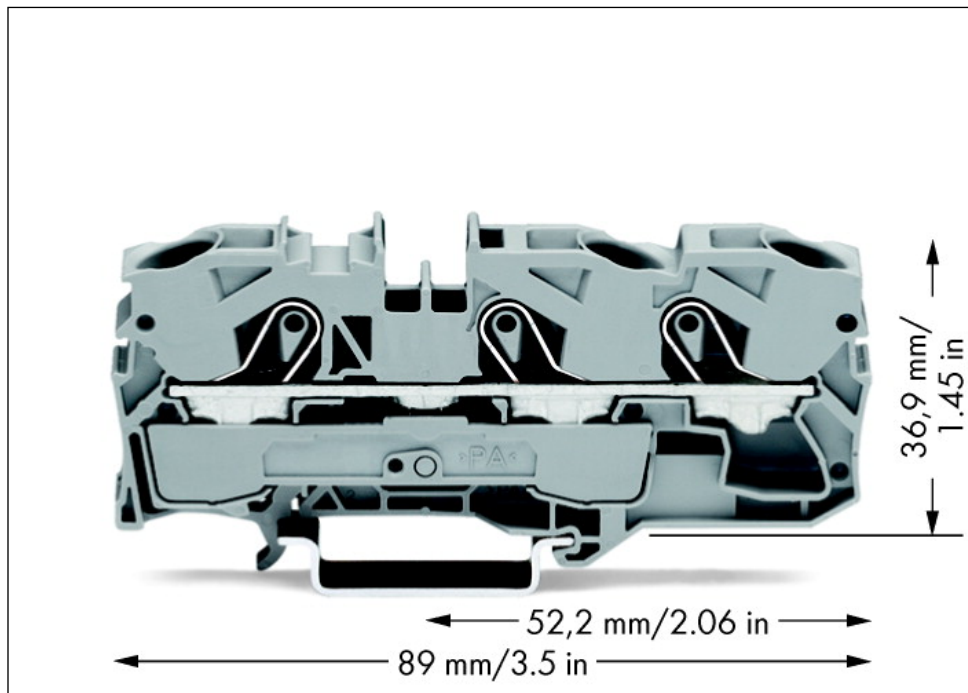
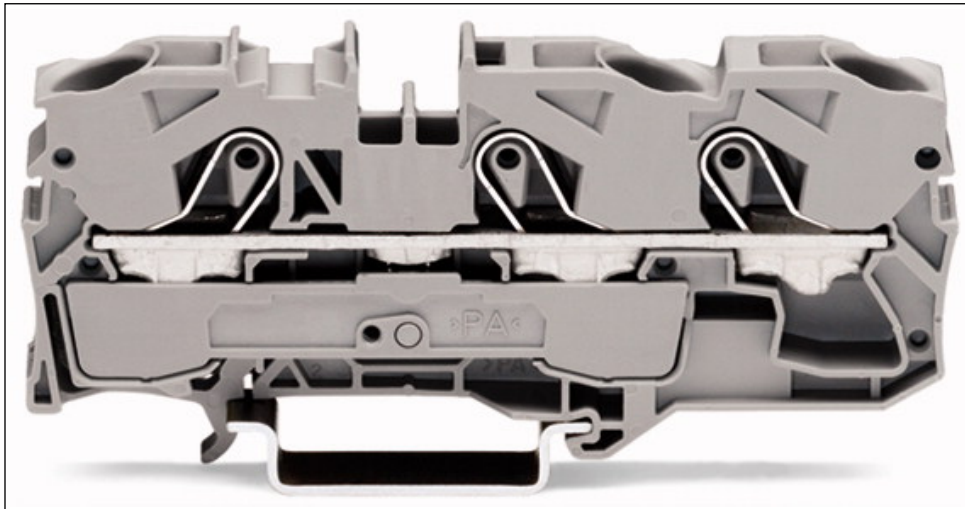
#### Technical data

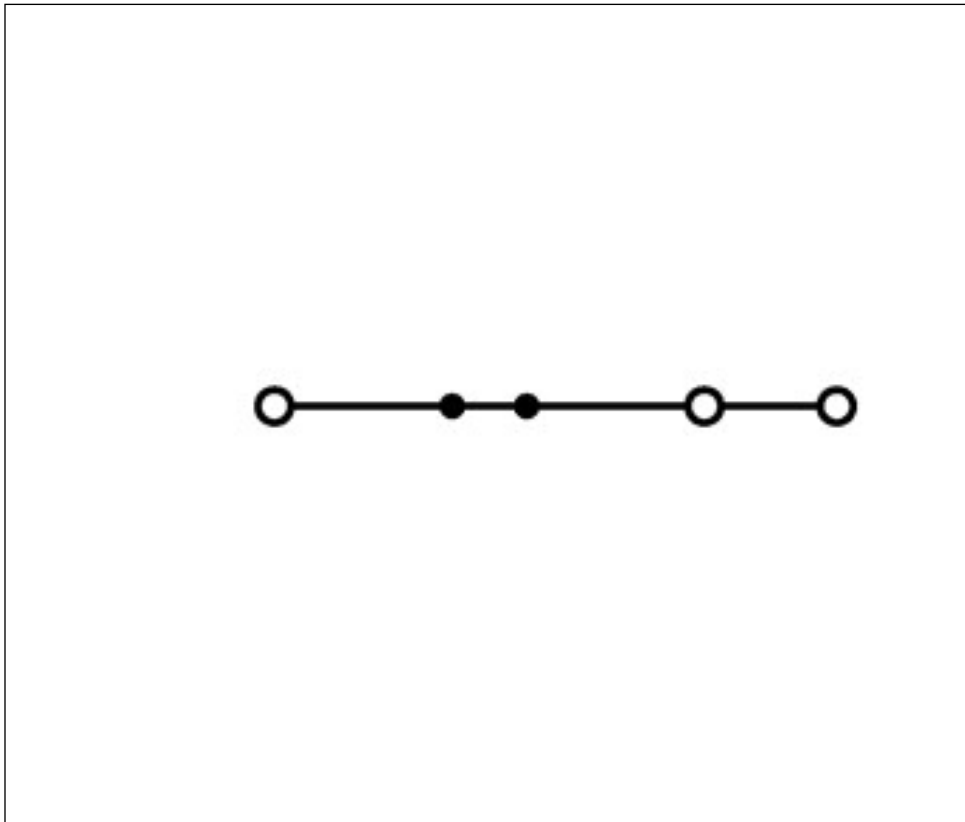
##### Miscellaneous

Total number of connection points	3
Total number of potentials	1
Color	gray
Ratings according to 1	IEC/EN 60947-7-1
Pollution degree (1)	3
Rated voltage EN (1) [V]	800 [V]
Rated surge voltage (1) [kV]	8 [kV]
Nominal current [A]	57 [A]
Nominal current (2) [A]	76 [A]
Rated voltage EN (Ex e II) [V]	550 [V]

<b>Technical data</b>	
Nominal current (Ex e II) [A]	50 [A]
Connection technology (1)	Push-in CAGE CLAMP®
Nominal cross section 1	10 mm <sup>2</sup>
Solid sizes 1	0.5 ... 16 mm <sup>2</sup> / 20 ... 6 AWG
solid, directly pluggable 1	2.5 ... 16 mm <sup>2</sup> / 14 ... 6 AWG
Fine-stranded wires 1	0.5 ... 16 mm <sup>2</sup> / 20 ... 6 AWG
min. fine-stranded with insulated ferrule, push-in terminati	2.5 mm <sup>2</sup> / 14 AWG
Strip length 1	17 ... 19 mm / 0.67 ... 0.75 in
Type of wiring	Front-entry wiring
Design	horizontal
Marking level	Center/Side marking
Insulating material	Polyamide 66 (PA 66)
Fire load [MJ]	0.381 [MJ]
Weight [g]	23.474 [g]
Width	10 mm / 0.394 in
Height from upper-edge of DIN-rail [mm]	36.9 [mm]
Height from upper-edge of DIN-rail	36.9 mm / 1.453 in
Length	89 mm / 3.504 in
Type of mounting	DIN 35 rail

Images & drawings





#### Address

WAGO Kontakttechnik GmbH & Co. KG

Hansastr. 27

32423 Minden

Telefon: 0571/887-0

Fax: 0571/887-169

<http://www.wago.com>

© WAGO Kontakttechnik GmbH & Co. KG

Technische Änderungen und Irrtümer vorbehalten.