

Printview: Female connector; with locking levers; 7-pole; pin spacing 7.62 mm / 0.3 in; 100% protected against mismatching; codable - Item No.: 831-3107/037-000

WAGO® online catalog / eShop

Female connector; with locking levers; 7-pole; pin spacing 7.62 mm / 0.3 in; 100% protected against mismatching; codable

Item No.: 831-3107/037-000



Female connector; with locking levers; 7-pole; pin spacing 7.62 mm / 0.3 in; 100% protected against mismatching; codable

Marking

RoHS ✓
Compliant

Business data

Supplier	WAGO
Item no.	831-3107/037-000
GTIN / EAN	4045454334116
Content	1
Order amount	12
Customer item number	

Notes

Universal connection for all conductor types Simple, push-in terminations of solid and ferruled conductors Integrated test ports for 2mm Ø test plugs 600V to UL 1059 100% protected against mismatching Coding option available

Technical data

Miscellaneous

No. of poles	7
Pin Spacing	7.62 mm (0.3 in %)
Total number of connection points	7
Total number of potentials	7
Color	light gray
Ratings according to 1	IEC/EN 60664-1
Overvoltage category EN 1	III

Printview: Female connector; with locking levers; 7-pole; pin spacing 7.62 mm / 0.3 in; 100% protected against mismatching; codable - Item No.: 831-3107/037-000

Technical data	
<i>Pollution degree (1)</i>	2
<i>Rated voltage EN (1) [V]</i>	1000 [V]
<i>Rated surge voltage (1) [kV]</i>	8 [kV]
<i>Nominal current [A]</i>	41 [A]
<i>Overvoltage category EN 2</i>	II
<i>Degree of pollution (2)</i>	2
<i>Rated voltage EN (2) [V]</i>	1000 [V]
<i>Rated surge voltage (2) [kV]</i>	8 [kV]
<i>Nominal current (2) [A]</i>	41 [A]
<i>Overvoltage category EN 3</i>	III
<i>Degree of pollution (3)</i>	3
<i>Rated voltage EN (3) [V]</i>	800 [V]
<i>Rated surge voltage (3) [kV]</i>	8 [kV]
<i>Nominal current (3) [A]</i>	41 [A]
<i>Number of individual connection objects at the product</i>	1
<i>Connection technology (1)</i>	Push-in CAGE CLAMP®
<i>Solid sizes 1</i>	0.5 ... 10 mm ² / 20 ... 8 AWG
<i>Fine-stranded wires 1</i>	0.5 ... 10 mm ² / 20 ... 8 AWG
<i>Fine-stranded wires with insulated ferrule 1</i>	0.5 ... 6 mm ² / ...
<i>Fine-stranded wires with uninsulated ferrule 1</i>	0.5 ... 6 mm ² / ...
<i>Strip length 1</i>	13 ... 15 mm / 0.51 ... 0.59 in
<i>Connection type</i>	Quick-connect/Solder contact
<i>Type of wiring</i>	Side-entry wiring
<i>Material group</i>	I
<i>Insulating material</i>	Polyamide 66 (PA 66)
<i>Flammability rating per UL 94</i>	V0
<i>Limit temperature range</i>	-60 C ... 105 C
<i>Clamping spring material</i>	Chrome-nickel spring steel (CrNi)
<i>Contact material</i>	Electrolytic copper (Ecu)
<i>Contact plating</i>	tin-plated
<i>Fire load [MJ]</i>	0.84 [MJ]
<i>Weight [g]</i>	54.42 [g]
<i>Width</i>	80.02 mm / 3.15 in
<i>Height</i>	27.5 mm / 1.083 in

Printview: Female connector; with locking levers; 7-pole; pin spacing 7.62 mm / 0.3 in; 100% protected against mismatching; codable - Item No.: 831-3107/037-000

Technical data

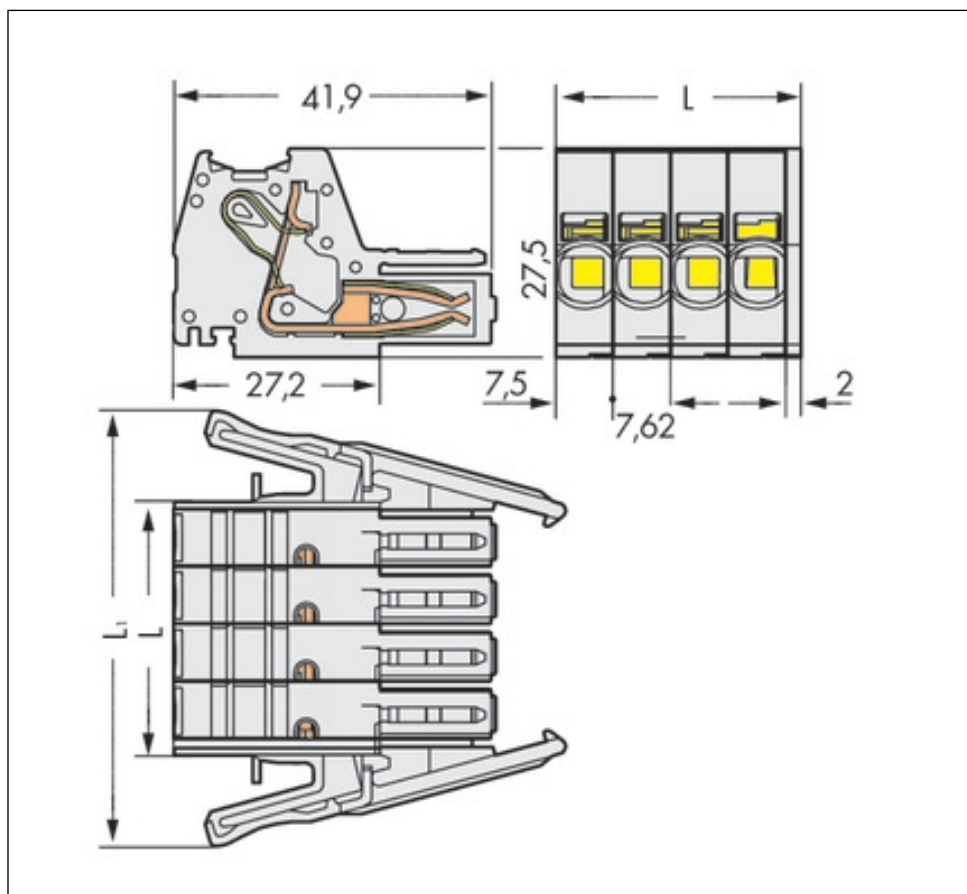
<i>Length</i>	<i>41.9 mm / 1.65 in</i>
---------------	--------------------------

Printview: Female connector; with locking levers; 7-pole; pin spacing 7.62 mm / 0.3 in; 100% protected against mismatching; codable - Item No.: 831-3107/037-000

Images & drawings



Printview: Female connector; with locking levers; 7-pole; pin spacing 7.62 mm / 0.3 in; 100% protected against mismatching; codable - Item No.: 831-3107/037-000



Address

WAGO Kontakttechnik GmbH & Co. KG

Hansastr. 27

32423 Minden

Telefon: 0571/887-0

Fax: 0571/887-169

<http://www.wago.com>

© WAGO Kontakttechnik GmbH & Co. KG

Technische Änderungen und Irrtümer vorbehalten.