

Keysight Technologies GPIB, USB and Instrument Control Products

Selection Guide



Link up easily to GPIB, USB and RS-232 instruments with Keysight's instruments control hardware products

Selection Guide

Use the color-coded selection guide below to match any instrument perfectly to the recommended instrument control product.

		For control via instrument - USB interface							
		For control via instrument - RS-232 interface							
		For control via instrument GPIB interface							
		GPIB to PC via PCI/PCIe®				GPIB to PC via USB	GPIB to PC via LAN	RS-232 to PC via LAN	USB to PC via LAN
Instrument	Model	82350B	82350C	82351A	82351B	82357B	E5810B	E5810B	E5810B
Digital Multimeters (DMM)	34401A				•			•	
	34410A, 34411A				•				•
	L4411A				•				•
	34420A				•			•	
	34450A				•				•
	3458A				•				
	U2741A								•
Oscilloscopes	InfiniiVision 2000 X-Series, 3000 X-Series, 4000 X-Series				•				•
	InfiniiVision 6000 Series				•				•
	InfiniiVision 7000B Series								•
	Infiniium 9000 Series							•	•
	Infiniium 9000 H-Series								•
	Infiniium 90000A Series, 90000 X-Series, 90000 Q-Series				•				•
	86100D				•			•	•
	U270xA								•
Power supply	E3600 Series, E3640 Series				•			•	
	6610 Series, 6630 Series				•			•	
	66311B, 66332A				•			•	
	N5700, N6700, N8700 Series, B296xA				•				•
	6620 Series, 6640 Series, 6650 Series, 6670 Series, 6680 Series, 6690 Series, 6030 Series, 66000 Series				•				
Function/Arbitrary Generators	33500B Series, 3352xA, 33210A, 33220A				•				•
	81180B, 81160A				•				•
	33250A				•			•	
	U2761A								•
Frequency Counters	53200 Series				•				•
	5313xA, 53181A				•				

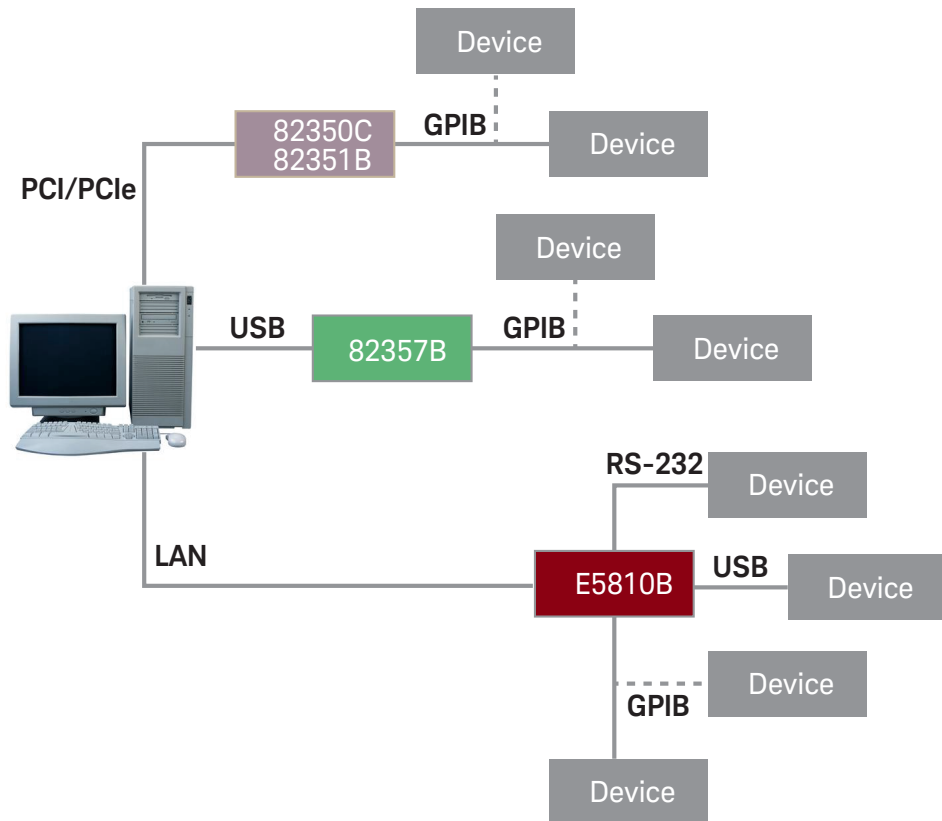
Selection Guide, continue

Select the right connectivity for your need

	Model	Description	Recommended Use
GPIB Boards	82350B	High Performance PCI-GPIB Interface Card	<ul style="list-style-type: none"> – Maximum GPIB throughput for all configurations – Adding GPIB connection for PCI-based PCs or workstations
	82350C	High Performance PCI-GPIB Interface Card	<ul style="list-style-type: none"> – Maximum GPIB throughput for all configurations – Standard and low-profile brackets allow flexible connection
	82351A	High Performance PCIe-GPIB Interface Card	<ul style="list-style-type: none"> – Bandwidth-intensive test applications – Adding GPIB connection for PCIe-based PCs or workstations
	82351B	High Performance PCIe/GPIB card Interface Card	<ul style="list-style-type: none"> – Bandwidth-intensive test applications – Standard and low-profile brackets allow flexible connection
USB Converters	82357B	USB/GPIB Interface	<ul style="list-style-type: none"> – Easiest GPIB connectivity – Notebook computer GPIB connections
LAN Converters	E5810B	LAN/GPIB/USB Gateway	<ul style="list-style-type: none"> – One-box connectivity – remote GPIB, RS-232 and USB connections – Sharing of instruments in a distributed system
Cables and Adapter	10833x	GPIB Cables	<ul style="list-style-type: none"> – 10833A – 1 m – 10833B – 2 m – 10833C – 4 m – 10833D – 0.5 m – 10833F – 6 m – 10833G – 8 m
	10834A	GPIB-to-GPIB Adapter	<ul style="list-style-type: none"> – Extends the first cable 2.3 cm away from the rear panel to – provide clearance for other connectors, switches, and cables.

System Topology

Keysight instrument control products help connect your instruments to PC easily, reliably and affordably. From legendary GPIB cables to the one-box connectivity solution, see how each provides seamless integration of your instruments no matter where they are placed in your system.



myKeysight

myKeysight

www.keysight.com/find/mykeysight

A personalized view into the information most relevant to you.



www.axiestandard.org

AdvancedTCA® Extensions for Instrumentation and Test (AXIe) is an open standard that extends the AdvancedTCA for general purpose and semiconductor test. Keysight is a founding member of the AXIe consortium. ATCA®, AdvancedTCA®, and the ATCA logo are registered US trademarks of the PCI Industrial Computer Manufacturers Group.



www.lxistandard.org

LAN eXtensions for Instruments puts the power of Ethernet and the Web inside your test systems. Keysight is a founding member of the LXI consortium.



www.pxisa.org

PCI eXtensions for Instrumentation (PXI) modular instrumentation delivers a rugged, PC-based high-performance measurement and automation system.



Keysight Assurance Plans

www.keysight.com/find/AssurancePlans

Up to five years of protection and no budgetary surprises to ensure your instruments are operating to specification so you can rely on accurate measurements.

www.keysight.com/go/quality

Keysight Technologies, Inc.
DEKRA Certified ISO 9001:2008
Quality Management System



Keysight Channel Partners

www.keysight.com/find/channelpartners

Get the best of both worlds: Keysight's measurement expertise and product breadth, combined with channel partner convenience.

PCle and PCI Express are US registered trademarks and/or service marks of PCI-SIG.

www.keysight.com/find/GPIB

For more information on Keysight Technologies' products, applications or services, please contact your local Keysight office. The complete list is available at: www.keysight.com/find/contactus

Americas

Canada	(877) 894 4414
Brazil	55 11 3351 7010
Mexico	001 800 254 2440
United States	(800) 829 4444

Asia Pacific

Australia	1 800 629 485
China	800 810 0189
Hong Kong	800 938 693
India	1 800 112 929
Japan	0120 (421) 345
Korea	080 769 0800
Malaysia	1 800 888 848
Singapore	1 800 375 8100
Taiwan	0800 047 866
Other AP Countries	(65) 6375 8100

Europe & Middle East

Austria	0800 001122
Belgium	0800 58580
Finland	0800 523252
France	0805 980333
Germany	0800 6270999
Ireland	1800 832700
Israel	1 809 343051
Italy	800 599100
Luxembourg	+32 800 58580
Netherlands	0800 0233200
Russia	8800 5009286
Spain	800 000154
Sweden	0200 882255
Switzerland	0800 805353
	Opt. 1 (DE)
	Opt. 2 (FR)
	Opt. 3 (IT)
United Kingdom	0800 0260637

For other unlisted countries:
www.keysight.com/find/contactus
(BP-09-23-14)

