

**Cliff Electronic Components Ltd.**

76 Holmethorpe Avenue, Holmethorpe Industrial Estate,  
Redhill, Surrey, RH1 2PF, England, UK  
Tel: 01737-771375 Fax: 01737-766012 Website: www.cliffuk.co.uk

# PART NUMBER: OD6626 SNIPE NOSE PLIERS BS/300/LLL

## Pliers and nippers - General technical requirements

### Handgrip

The handle are shaped to have a comfortable and firm grip; they are in plastic.

### Hinge

The hinge is made to open and close the tool easily; it has not an excessive lateral play that could damage the functional of the tool.

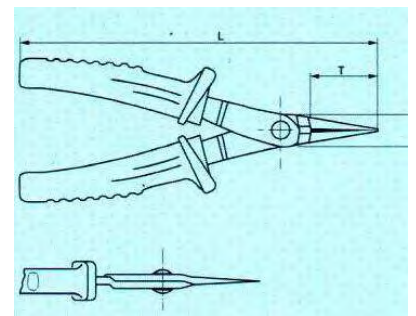
### Beaks

The beaks of the nipper can join together.  
The hardness of the steel is 55 HRC.

### Finishing of the tool

The tools are without flash or sharp border so it can be used with safety; they are subject to a treatment of burnishing to assure a superficial protection.

## Data sheet mod. 300/LLL



### Description

Pliers with square jaws internally smoothed by grinding

L	150
T	26
B	14