

WEATHERPROOF HORN Loudspeakers



- PH10/T
- PH10/TC

TECHNICAL SPECIFICATIONS

Rated power, Watts	10
Tappings 100 volt line, Watts	10/5/2.5/1.25
Transformer Impedance, Ohms, 100V	1k/2k/4k/8k
Tappings 70.7 volt line, Watts	5/2.5/1.25/0.625
Driver impedance, Ohms	20
Effective frequency range, Hz (BSEN60268-5)	400-8,000
S.P.L. @ 1m, 1 watt, dB, Test Signal Bandwidth 100Hz-10 kHz	97
S.P.L. @ Full power Octave Bandwidth, dB	107
Acoustic Power (dB-PWL@1 watt) 1 k/2kHz, dB	95/97
Dispersion at 1k/2kHz, Degrees	180/110
Directivity Axial Q factor, 1 k/2kHz	2.8/6.6
Dimensions, front & depth, mm	Ø138 x 200
Net weight, Kgs	1.30
Colour/Finish	Grey RAL7035
Material	ABS plastic housing with UV inhibitors
Mounting	Stainless Steel U Bracket

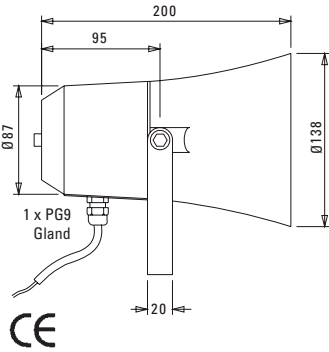
- PH10/TC is BS5839 Part 8 Voice Alarm compliant
- PH10/T Supplied with 300mm 5 core cable
- PH10/TC Fire Rated Cable can be supplied on request

EASE, CATT, ULYSSES and Architectural specifications are supplied on the disc inserted at the back of this folder
Manufacturer reserves the right to alter specifications without notice – June 2008

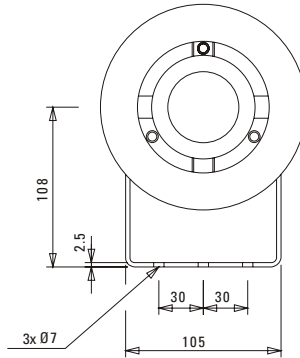
▶ PH10/T ▶ PH10/TC

WEATHERPROOF HORN LOUSPEAKERS

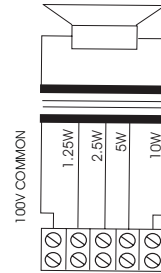
▼ side view
unit: mm



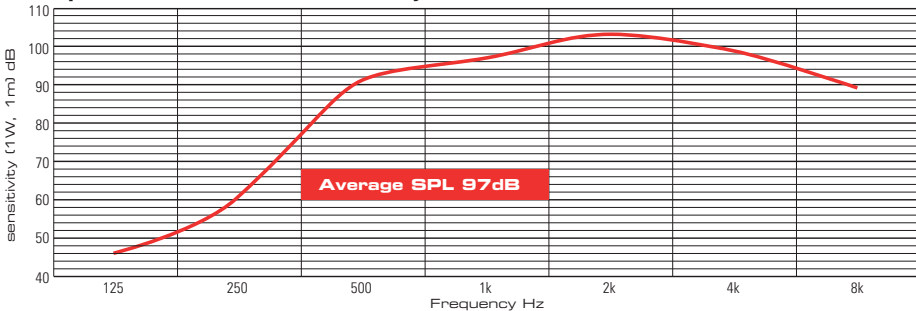
▼ front view
unit: mm



▼ circuit diagram
PH10/T



speech octave band sensitivity



Effective Frequency Range ● PH10/T PH10/TC 400Hz - 8,000Hz



Penton UK Ltd

Unit 2 Teville Industrials | Dominion Way | Worthing | West Sussex | BN14 8NW
T: +44 (0)1903 215315 | F: +44(0)1903 215415 | E: SALES@PENTONUK.CO.UK

www.pentonuk.co.uk