

REFERENCE DESIGN NOTE

LED Driver with MagI³C Power Module



MagI³C Power Modules

VDRM - LED Driver Application

DNS001: BY ROLAND KRATZ

7 - 24V INPUT / 0 – 1.5A LED CURRENT

1. Introduction

The DNS14 is a reference design for the WLMDU9456008T LED driver capable of driving up to 1.5 A output current using a voltage regulated module and an external secondary regulation loop to establish current regulation. The external loop regulates a DC output current which results in a constant photon flow. Compared to other solutions with PWM, this solution is less harmful to the eyes due to the constant photon flow, allowing the pupil opening to be the proper size for the light intensity emitted. Depending on the LED flux voltage up to 4 LEDs in series can be connected.

2. Features

- Input voltage range from 7 V to 24 V
- Output current up to 1.5 A
- Adjustable current from 10 mA to 1.5 A
- Dimming voltage 0 V (10 mA) to 5 V (1.5 A)
- Current regulation
- Output current ripple typ. < 10 mA
- Output power up to 22.5 W
- Series connected LEDs up to 15 V total flux voltage

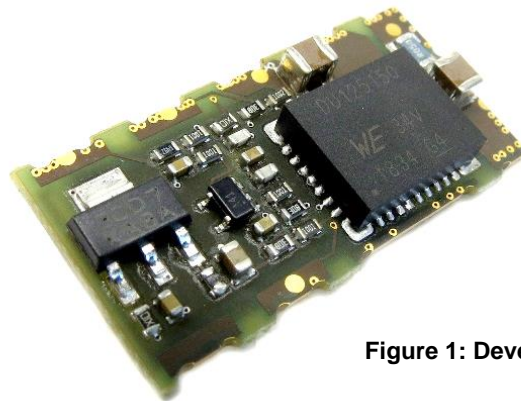


Figure 1: Development Example

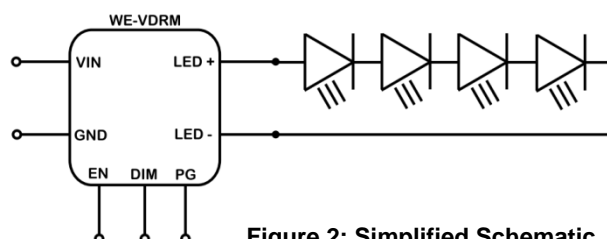


Figure 2: Simplified Schematic

REFERENCE DESIGN NOTE

LED Driver with MagI³C Power Module



MagI³C Power Modules

VDRM - LED Driver Application

3. Description

The power consumption of LEDs on the lighting market is constantly increasing. LEDs require currents of 700 mA, 1 A or higher. High output currents are supported commonly with voltage regulated modules. Constant high current led drivers are uncommon on the market. This design note describes how to convert a voltage regulated module to a current regulated module. Typical supplies for LEDs are modules operating as current sources. They include dual protection against output short circuits. A current regulated circuit is - if designed properly - short circuit protected by itself due to its nature of forcing a defined current into the load regardless if the load is an LED or a low resistance like a short circuit. The second overcurrent protection circuit is integrated in the module commonly through a cycle by cycle current limit.

A MagI³C VDRM module is used in this application. Natively it is voltage regulated. The current through a specific number of LEDs will flow from LED+ pin through the LEDs to the LED- pin. The LED current flows through a shunt resistor, R3, and the voltage across R3 is compared with a dimming voltage. A 5 V dimming voltage at the DIM terminal results in a voltage of 75 mV at the regulation loop amplifier (IC3, pin4) with which the shunt voltage (IC3, pin 3) is compared. IC3 is used for an outer and slower regulation circuit which drives the feedback pin of the VDRM module. The compensation network consists of C8, C9 and R6, which may be trimmed by the design engineer depending on the customer PCB layout if modified from the reference design PCB layout.

An external dimming (adjusting) voltage is always required. This can be derived directly from V_{IN} if stable or from a resistor divider from the 3.3 V of the linear regulator (IC2).

The supply of the operational amplifier is derived from V_{IN} with a linear regulator (IC2) with a capability of abs. max. 40V or 60V input voltage. Its output voltage is set to 3.3V. The Input voltage of the design ranges from 7 V to 50 V (only with the 60 V version of the LM2936, which is not available in this small package) and the output current ranges from 0 A to 2.5 A. Note that the output power shall not exceed 22.5 W. The compensation may be adapted for various operating points.

This Reference Design is developed using the following specification:

$$V_{in} = 7 \text{ V} - 24 \text{ V} \quad V_{out} = 0 \text{ V} - 15 \text{ V} \quad I_{out} = 10 \text{ mA} - 1.5 \text{ A}$$

REFERENCE DESIGN NOTE**LED Driver with MagI³C Power Module****MagI³C Power Modules****VDRM - LED Driver Application****4. Bill of Material**

Index	Description	Size	Value	Order Code	Supplier
IC1	MagI ³ C power module	BQFN-41	WPMDU1251501N	171 021 501	Würth Elektronik eiSos
IC2	Linear regulator	SOT-223	LM2936(HV)	LM2936MP-3.3 (40V)	Texas Instruments
IC3	Operational amplifier	SOT-23	OPA364	OPA364	Texas Instruments
R5,R6,R8,R13		0603 1% TK100 125mW	1K00		
R10,R11,R12		0603 1% TK100 125mW	2K00		
R1		0603 5% TK100 125mW	10R0		
R2		0603 5% TK100 125mW	0R02		
R4,R9	Change R9 to your UVLO needs	0603 1% TK100 125mW	10K0		
R7	Defines max current at 5 V at DIM pin/pad (5 V = 1.5 A)	0603 1% TK100 125mW	64K9		
R3	Shunt resistor	1210 0,5% 250mW	0R05		
C2,C3		X5R or X7R 1210 10%	10µ/50V		
C5,C10,C11		X7R 0603 10%	100n/50V	885 012 206 095	Würth Elektronik eiSos
C7,C9		COG,NP0 0603 10%	22p/50V	885 012 006 053	Würth Elektronik eiSos
C8		X7R 0603 10%	22n/50V	885 012 206 091	Würth Elektronik eiSos
C6		X5R 0805 20%	10µ/10V	885 012 107 010	Würth Elektronik eiSos

Table 1: Bill of Material

REFERENCE DESIGN NOTE

LED Driver with Mag³C Power Module



Mag³C Power Modules VDRM - LED Driver Application

5. Schematic and Layout

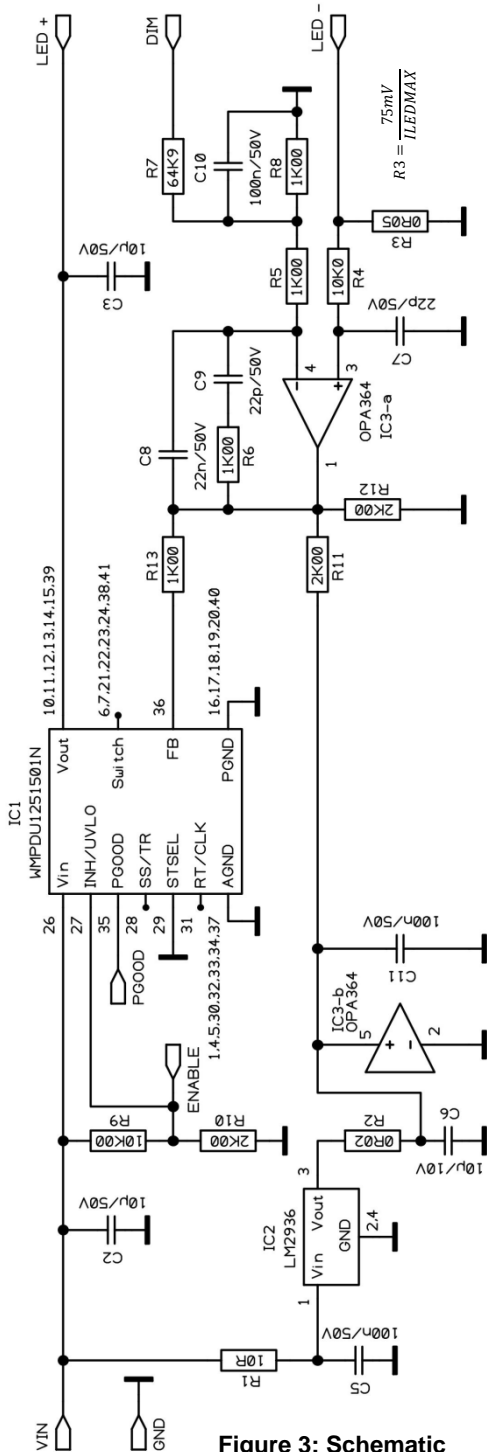


Figure 3: Schematic

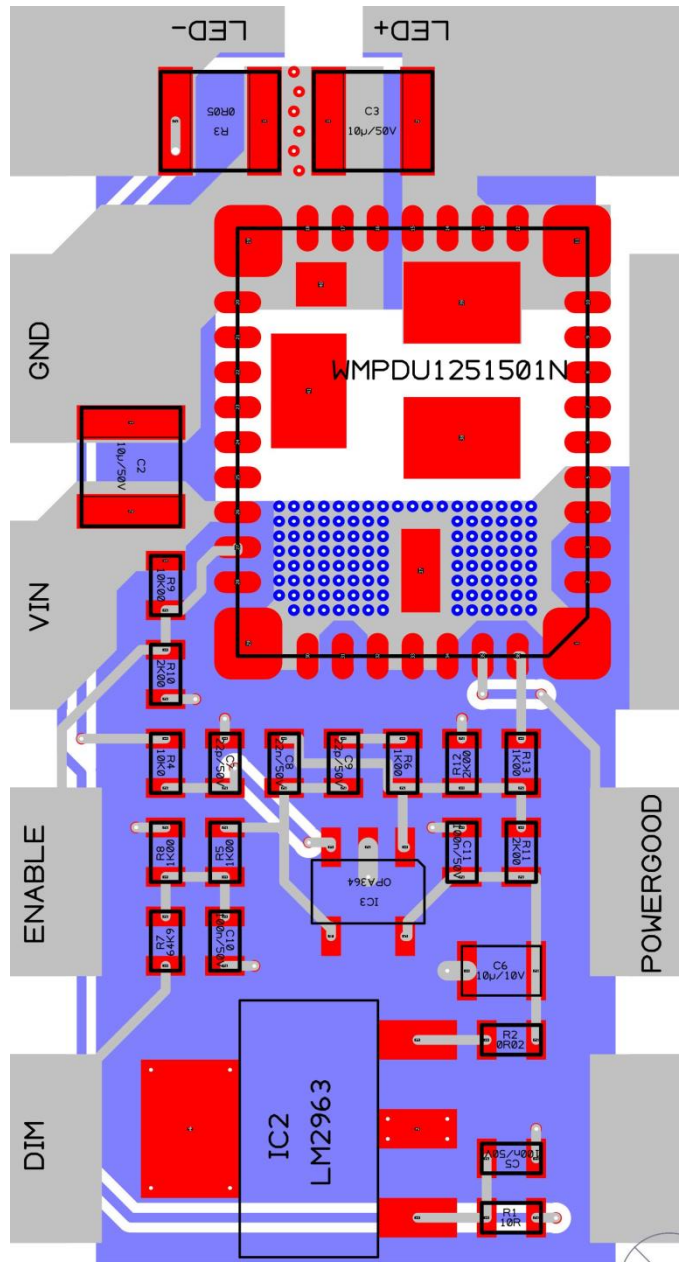


Figure 4: Layout

REFERENCE DESIGN NOTE

LED Driver with MagI³C Power Module



MagI³C Power Modules
VDRM - LED Driver Application

6. Suitable Würth Elektronik eiSos High power LEDs

WL-SWTC SMD White Top View Ceramic LED

Size 3535, waterclear dome lens

Characteristics	Applications
<ul style="list-style-type: none"> Fast switching No IR radiation High brightness Minimal side emission Waterclear silicone lens Top view Flexible coupling with secondary optic Various color temperatures Compact footprint Thermal resistance junction to solder point: 8 °C/W LED junction temperature: 150 °C 	<ul style="list-style-type: none"> Indoor lighting: Spot light, Down light Outdoor lighting: Street light, Security light, Tunnel light, Parking lots light Industrial lighting: High-bay light, Low-bay light Consumer lighting: Torch light Agricultural equipment lighting Signal and symbol luminaries

QR-Code

Electrical & Optical Characteristics @ 0.35 A (typ.)								
Order Code	Emitting Color	CCT (K)	CRI	Φ _v (lm)	V _f (V)	Chip Technology	2θ _{50%} (°)	Qty. Tape & reel
158353027	Sunrise	2700	80	95	3.2	InGaN	120	1000
158353030	Warm White	3000	80	95				
158353040	Moonlight	4000	75	110				
158353050	Daylight	5000	70	121				
158353060	Cool White	6000	70	121				

CCT = Correlated Color Temperature
 CRI = Color Rendering Index
 Φ_v = Luminous Flux
 V_f = Forward Voltage
 2θ_{50%} = Viewing Angle

Figure 5: Recommended High Power White LEDs

REFERENCE DESIGN NOTE

LED Driver with MagI³C Power Module



MagI³C Power Modules


VDRM - LED Driver Application

WL-SMDC

Ceramic mono-color High Power LED


Size 3535, waterclear





Characteristics	Applications
<ul style="list-style-type: none"> ■ SMD ceramic package with high efficiency ■ Waterclear silicone lens ■ High brightness with minimal side emission ■ Flexible coupling with secondary optic ■ Viewing angle: 125° ■ Moisture Sensitivity Level: 2 ■ Electrically neutral thermal path ■ Low thermal resistance: 8/10 K/W ■ LED junction temperature: 125 °C/150 °C 	<ul style="list-style-type: none"> ■ Architectural lighting indoor ■ Entertainment and stage lighting ■ Indoor smart lights ■ Horticultural lighting ■ Aquarium lighting ■ Traffic and signal lights

QR-Code



Electrical & Optical Characteristics @ 0.35 A (typ.)								
Order Code	Emitting Color	λ_{peak} (nm)	λ_{dom} (nm)	Φ_s (lm)	V_f (V)	Chip Technology	$2\theta_{50\%}$ (°)	Qty. Tape & reel
150353RS74500	Red	635	625	55	2.2	AllnGaP	125	1000
150353YS74500	Yellow	593	590	50	2.2	AllnGaP		
150353GS74500	Green	520	525	85	3.4	InGaN		
150353BS74500	Blue	455	460	25	3.2	InGaN		

λ_{peak} = Peak Wavelength
 λ_{dom} = Dominant Wavelength
 I_v = Luminous Intensity
 V_f = Forward Voltage
 $2\theta_{50\%}$ = Viewing Angle

Figure 6: Recommended High Power Colored LEDs

REFERENCE DESIGN NOTE

LED Driver with MagI³C Power Module



MagI³C Power Modules

VDRM - LED Driver Application

IMPORTANT NOTICE

The Application Note is based on our knowledge and experience of typical requirements regarding these areas: It serves as general guidance and should not be construed as a commitment for the suitability for customer applications by Würth Elektronik eiSos GmbH & Co. KG. The information in the Application Note is subject to change without notice. This document and parts thereof must not be reproduced or copied without written permission, and contents thereof must not be imparted to a third party nor be used for any unauthorized purpose.

Würth Elektronik eiSos GmbH & Co. KG and its subsidiaries and affiliates (WE) are not liable for application assistance of any kind. Customers may use WE's assistance and product recommendations for their applications and design. The responsibility for the applicability and use of WE Products in a particular customer design is always solely within the authority of the customer. Due to this fact it is up to the customer to evaluate and investigate, where appropriate, and decide whether the device with the specific product characteristics described in the product specification is valid and suitable for the respective customer application or not.

The technical specifications are stated in the current data sheet of the products. Therefore the customers shall use the data sheets and are cautioned to verify that data sheets are current. The current data sheets can be downloaded at www.we-online.com. Customers shall strictly observe any product-specific notes, cautions and warnings. WE reserves the right to make corrections, modifications, enhancements, improvements, and other changes to its products and services.

WE DOES NOT WARRANT OR REPRESENT THAT ANY LICENSE, EITHER EXPRESS OR IMPLIED, IS GRANTED UNDER ANY PATENT RIGHT, COPYRIGHT, MASK WORK RIGHT, OR OTHER INTELLECTUAL PROPERTY RIGHT RELATING TO ANY COMBINATION, MACHINE, OR PROCESS IN WHICH WE PRODUCTS OR SERVICES ARE USED. INFORMATION PUBLISHED BY WE REGARDING THIRD-PARTY PRODUCTS OR SERVICES DOES NOT CONSTITUTE A LICENSE FROM WE TO USE SUCH PRODUCTS OR SERVICES OR A WARRANTY OR ENDORSEMENT THEREOF.

WE products are not authorized for use in safety-critical applications, or where a failure of the product is reasonably expected to cause severe personal injury or death. Moreover, WE products are neither designed nor intended for use in areas such as military, aerospace, aviation, nuclear control, submarine, transportation (automotive control, train control, ship control), transportation signal, disaster prevention, medical, public information network etc. Customers shall inform WE about the intent of such usage before design-in stage. In certain customer applications requiring a very high level of safety and in which the malfunction or failure of an electronic component could endanger human life or health, customers must ensure that they have all necessary expertise in the safety and regulatory ramifications of their applications. Customers acknowledge and agree that they are solely responsible for all legal, regulatory and safety-related requirements concerning their products and any use of WE products in such safety-critical applications, notwithstanding any applications-related information or support that may be provided by WE. CUSTOMERS SHALL INDEMNIFY WE AGAINST ANY DAMAGES ARISING OUT OF THE USE OF WE PRODUCTS IN SUCH SAFETY-CRITICAL APPLICATIONS.

USEFUL LINKS

Application Notes:

<http://www.we-online.com/app-notes>

Component Selector:

<http://www.we-online.com/component-selector>

Toolbox:

<http://www.we-online.com/toolbox>

Product Catalog:

<http://katalog.we-online.de/en/>

CONTACT INFORMATION

Würth Elektronik eiSos GmbH & Co. KG

Max-Eyth-Str. 1, 74638 Waldenburg, Germany

Tel.: +49 (0) 7942 / 945 – 0

Email: appnotes@we-online.de

Web: <http://www.we-online.com>