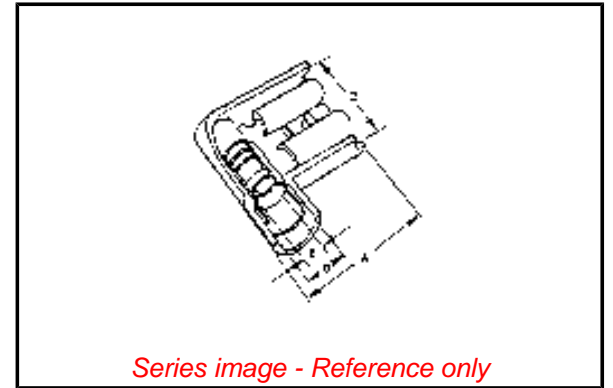


PLEASE CHECK WWW.MOLEX.COM FOR LATEST PART INFORMATION

Part Number: **0190060003**
Status: **Active**
Overview: Standard Quick-Disconnect Terminals
Description: Flag Avikrimp™ Quick Disconnect, Female, for 18-22 (0.80-0.35mm²) Wire, Mylar Tape, Tab 6.35 x 0.81mm

Documents:

3D Model	Product Specification PS-19902-014 (PDF)
Drawing (PDF)	Product Specification PS-19902-015 (PDF)
Product Specification PS-19902-011 (PDF)	RoHS Certificate of Compliance (PDF)



Series image - Reference only

Agency Certification

CSA	LR18689
UL	E79133

General

Product Family	Quick Disconnects
Series	<u>19006</u>
Crimp Quality Equipment	Yes
Insulated	Fully
Overview	<u>Standard Quick-Disconnect Terminals</u>
Product Name	Avikrimp™
Type	Quick Disconnect
UPC	800753030923

Physical

Barrel Type	Closed
Color - Resin	Red
Flammability	94V-2
Gender	Female
Glow-Wire Compliant	Yes
Insulation	Nylon (PA)
Lock to Mating Part	None
Material - Metal	Brass
Material - Plating Mating	Tin
Material - Plating Termination	Tin
Material - Resin	Nylon
Net Weight	1.369/g
Orientation	Flag
Packaging Type	Adhesive Tape on Reel
Polarized to Mating Part	No
Tab Thickness	0.81mm
Tab Width	6.35mm
Temperature Range - Operating	-65°C to +105°C
Wire Insulation Diameter	3.81mm max.
Wire Size AWG	18, 20, 22

Electrical

Voltage - Maximum	600V
-------------------	------

Solder Process Data

Lead-free Process Capability	N/A
------------------------------	-----

Material Info

Old Part Number	AA-5220T
-----------------	----------

Reference - Drawing Numbers

Product Specification	PS-19902-011, PS-19902-014, PS-19902-015
-----------------------	--

EU ELV

Not Relevant

EU RoHS

Compliant

REACH SVHC

Contained Per - ED/79/2015 (17 December 2015) dinoseb (ISO) furan C,C'-azodi(formamide) tricosafuorododecanoic acid heptacosafuorotetradecanoic acid methoxyacetic acid 1,2-diethoxyethane hencosafuoroundecanoic acid sodium peroxometaborate pentacosafuorotridecanoic acid 3-ethyl-2-methyl-2-(3-methylbutyl)-1,3-oxazolidi Hydrazine Disodium tetraborate Boric acid HBCDD Trixylyl phosphate 4-(1,1,3,3-tetramethylbutyl)phenol, ethoxylated Sodium perborate; perboric acid, sodium salt 1,3-propanesultone 2-ethylhexyl 10-ethyl-4,4-dioctyl-7-oxo-8-oxa-3,

China RoHS

2-(2H-Benzotriazol-2-yl)-4,6-ditertpentylphenol
Cadmium sulphate
reaction mass of
2-ethylhexyl 10-ethyl-4,4-dioct
Acetamide, N-methyl-nitrobenzene
Perfluorononan-1-oic acid
(2,2,3,3,4,4,5,5,6,6,7
Silicic acid (H₂Si₂O₅),
barium salt (1:1),
lead-
Cadmium-fluoride
Trichloroethylene
1,2,3-
Trichloropropane
1,2-dichloroethane
1-bromopropane
2,4-dinitrotoluene
Tris (2-chloroethyl)phosphate (TCEP)
Boric acid, disodium salt, hydrate
1-Methyl-2-pyrrolidone
propylene oxide
diethyl sulphate
#,#-Bis[4-(dimethylamino)phenyl]-4(phenylamino)
[4-[[4-anilino-1-naphthyl][4-(dimethylamino)phenyl]]
Diboron-trioxide
4,4'-bis(dimethylamino)-4''-(methylamino)trityl
formamide
4,4'-bis(dimethylamino)benzophenone
N,N,N',N'-tetramethyl-4,4'-methyldianiline
[4-[4,4'-bis(dimethylamino)benzhydrylidene]cyclohexane
1,2-bis(2-methoxyethoxy)ethane

Halogen-Free**Status****Low-Halogen****Need more information on product environmental compliance?**

Email productcompliance@molex.com
Please visit the [Contact Us](#) section for any non-product compliance questions.

China ROHS
ELV

Green Image
Not Relevant

Search Parts in this Series

19006 Series

Application Tooling | [FAQ](#)

Tooling specifications and manuals are found by selecting the products below. Crimp Height Specifications are then contained in the Application Tooling Specification document.

Global

Description	Product #
ATP Crimp Dies for the Tape Crimp Module and ATP-101 & 301 Press	0192880057

This document was generated on 03/04/2016

PLEASE CHECK WWW.MOLEX.COM FOR LATEST PART INFORMATION