

## Relay module; Relay, pre-soldered; relay with 1 make contact (1A)

Item No.: 288-364



Relay module; Relay, pre-soldered; relay with 1 make contact (1A)

### Marking

RoHS ✓  
Compliant

### Business data

Supplier	WAGO
Item no.	288-364
GTIN / EAN	4045454468040
Content	1
Order amount	1
Customer item number	

### Notes

*Short description: Equipped with relay and PLC interface modules, WAGO DIN-rail mount carriers provide fast and easy peripheral signal connections. The fully wired modules, each with up to 16 high-performance relay outputs, provide direct, in-the-field switching of actuators and other coupling elements. To extend product life and increase machine uptime, each carries integrated recovery and reverse voltage protection diodes.*

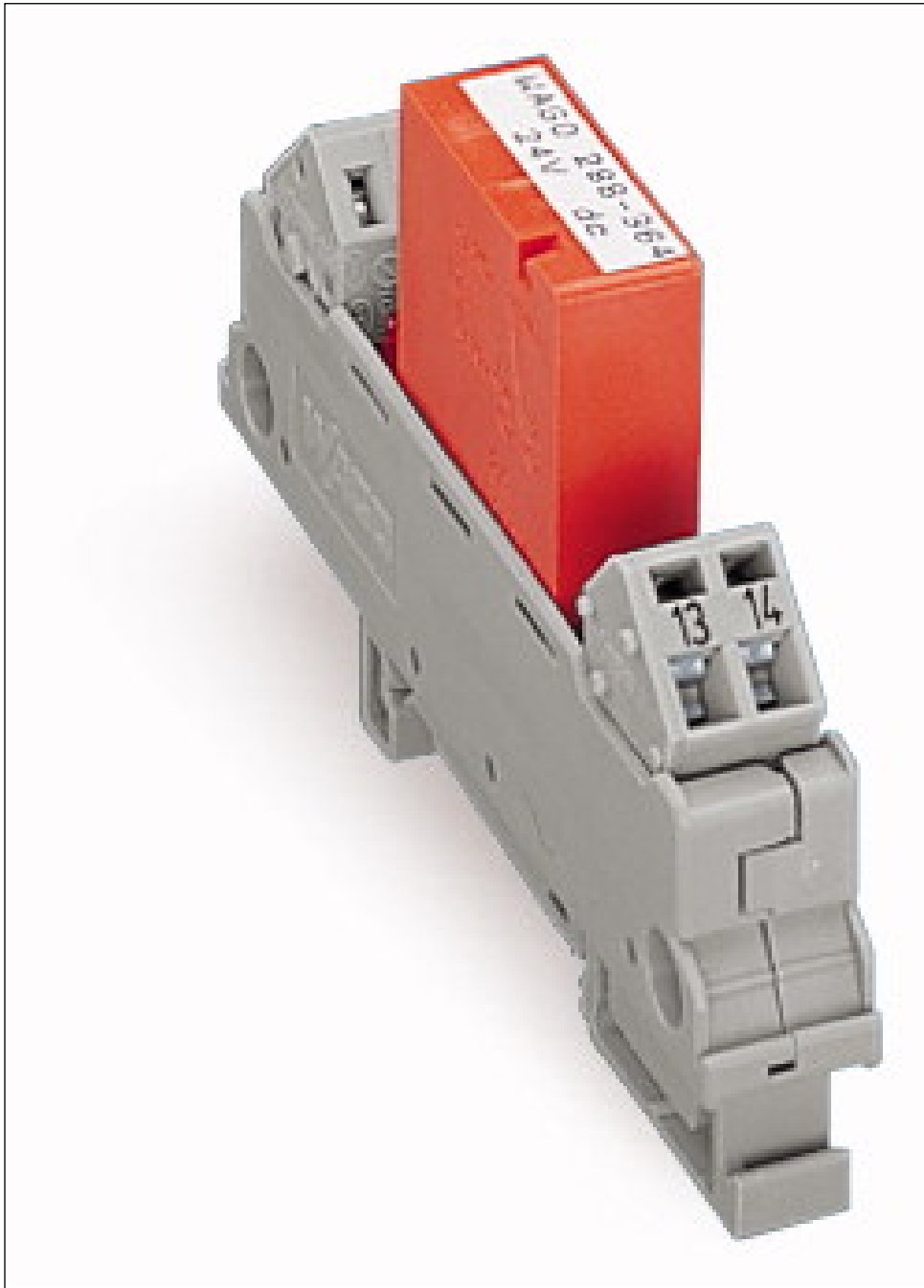
### Technical data

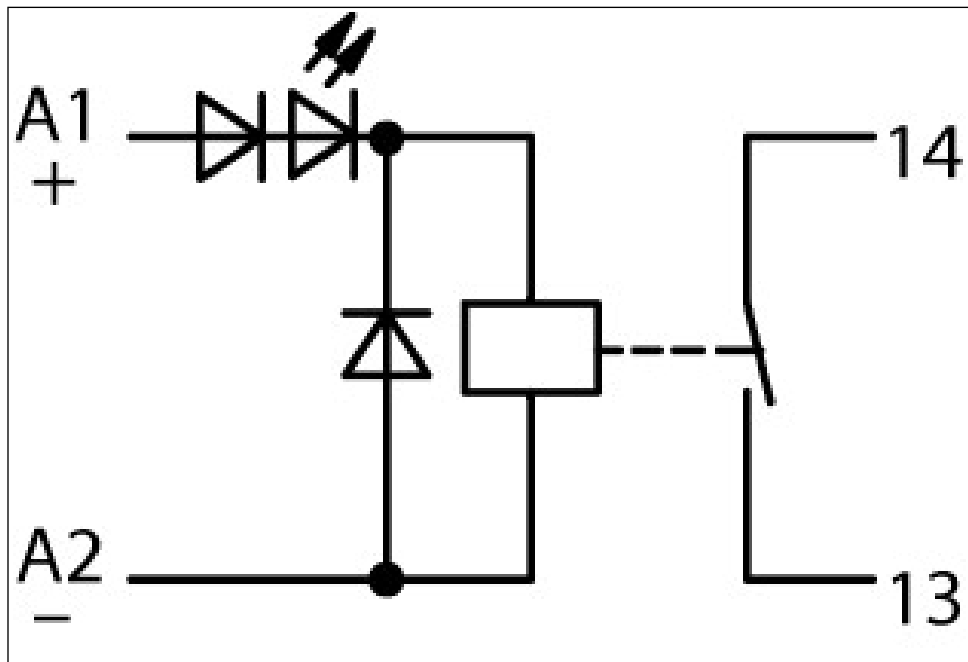
#### Miscellaneous

Color	gray
Conformity marking	CE
Pollution degree (1)	2
Rated voltage EN (1) [V]	250 [V]
Rated surge voltage (1) [kV]	4 [kV]
Pull-in time (typ.) [ms]	4 [ms]
Mechanical life	30 x 10 <sup>6</sup> switching operations

<b>Technical data</b>	
<i>Drop-out time (typ.) [ms]</i>	<i>6 [ms]</i>
<i>Nominal input current I<sub>N</sub></i>	<i>16 mA</i>
<i>Wire connection 1</i>	<i>WAGO 236 Series</i>
<i>Operating power</i>	<i>500 mW</i>
<i>Max. switching voltage</i>	<i>250 VDC / 250 VAC</i>
<i>Bounce time (typ) [ms]</i>	<i>2 [ms]</i>
<i>Dielectric strength, contact-coil (AC, 1 min) [kVrms&lt;/s&gt;</i>	<i>4 [kVrms]</i>
<i>Mechanical life at max. load (resistance)</i>	<i>2 x 10<sup>5</sup> switching operations</i>
<i>Nominal input voltage V<sub>N</sub></i>	<i>24 VDC</i>
<i>Max. continuous current</i>	<i>5 A</i>
<i>Max. make current</i>	<i>4 s, 16 A</i>
<i>Max. break current [A]</i>	<i>8 [A]</i>
<i>Pull-in power (mW) [mW]</i>	<i>240 [mW]</i>
<i>Connection technology (1)</i>	<i>CAGE CLAMP®</i>
<i>Solid sizes 1</i>	<i>0.08 ... 2.5 mm<sup>2</sup> / 28 ... 12 AWG</i>
<i>Strip length 1</i>	<i>5 ... 6 mm / 0.2 ... 0.24 in</i>
<i>Contact material</i>	<i>AgNi 0,15</i>
<i>Weight [g]</i>	<i>30.6 [g]</i>
<i>Width</i>	<i>13 mm / 0.512 in</i>
<i>Height from upper-edge of DIN-rail [mm]</i>	<i>47 [mm]</i>
<i>Height from upper-edge of DIN-rail</i>	<i>47 mm / 1.85 in</i>
<i>Length</i>	<i>85 mm / 3.346 in</i>
<i>Standards/specifications</i>	<i>EN 60664-1</i>
<i>Type of mounting</i>	<i>DIN 35 rail</i>
<i>Ambient operating temperature at V<sub>N</sub></i>	<i>-25 °C ... +40 °C</i>

Images & drawings





**Address**

WAGO Kontakttechnik GmbH & Co. KG

Hansastr. 27

32423 Minden

Telefon: 0571/887-0

Fax: 0571/887-169

<http://www.wago.com>

© WAGO Kontakttechnik GmbH & Co. KG

Technische Änderungen und Irrtümer vorbehalten.