

Printview: Ferrule; sleeve for 2.5 mm² / awg 14; uninsulated; electro-tin plated; electrolytic copper; gastight crimped; acc. to DIN 46228, Part 1/08.92 - Item No.: 216-106

WAGO® online catalog / eShop

Ferrule; sleeve for 2.5 mm² / awg 14; uninsulated; electro-tin plated; electrolytic copper; gastight crimped; acc. to DIN 46228, Part 1/08.92

Item No.: 216-106



Ferrule; sleeve for 2.5 mm² / awg 14; uninsulated; electro-tin plated; electrolytic copper; gastight crimped; acc. to DIN 46228, Part 1/08.92

Marking

RoHS ✓
Compliant

Business data

Supplier	WAGO
Item no.	216-106
GTIN / EAN	4017332277686
Content	1
Order amount	1,000
Customer item number	

Notes

Technical data

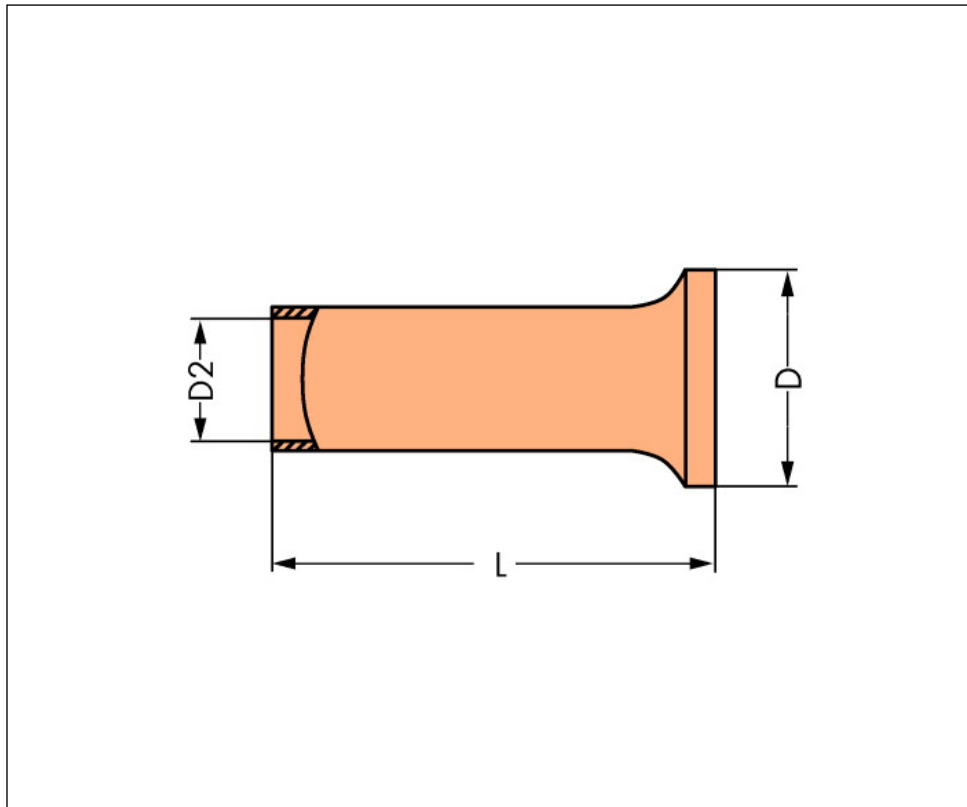
Miscellaneous

Strip length 1	10 mm / 0.39 in
Weight [g]	0.105 [g]
Diameter [mm]	3.4 [mm]
Diameter 2 [mm]	2.2 [mm]
Length [mm]	10 [mm]

Printview: Ferrule; sleeve for 2.5 mm² / awg 14; uninsulated; electro-tin plated; electrolytic copper; gastight crimped; acc. to DIN 46228, Part 1/08.92 - Item No.: 216-106

Images & drawings





Address

WAGO Kontakttechnik GmbH & Co. KG

Hansastr. 27

32423 Minden

Telefon: 0571/887-0

Fax: 0571/887-169

<http://www.wago.com>

© WAGO Kontakttechnik GmbH & Co. KG

Technische Änderungen und Irrtümer vorbehalten.