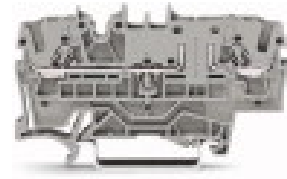


## 2-conductor carrier terminal block

Item No.: 2002-1661



2-conductor carrier terminal block

### Marking

RoHS ✓  
Compliant

### Business data

Supplier	WAGO
Item no.	2002-1661
GTIN / EAN	4045454974770
Content	1
Order amount	50
Customer item number	

### Notes

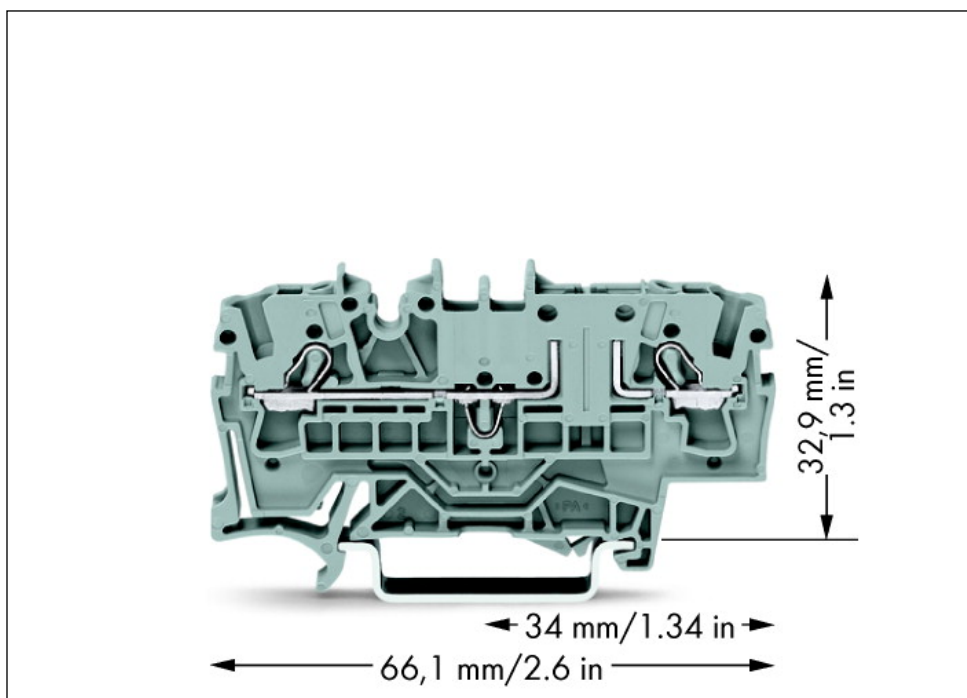
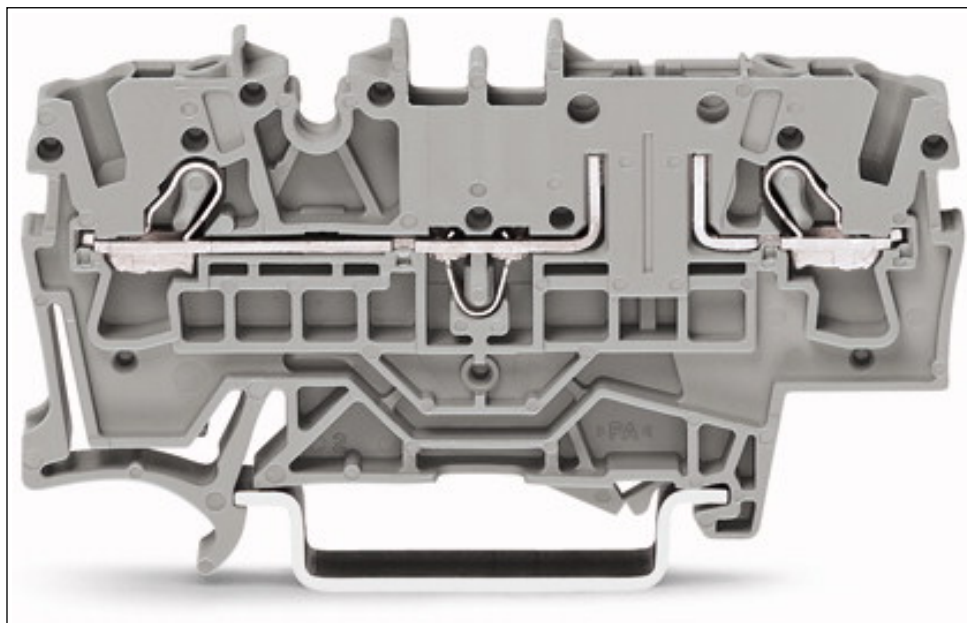
### Technical data

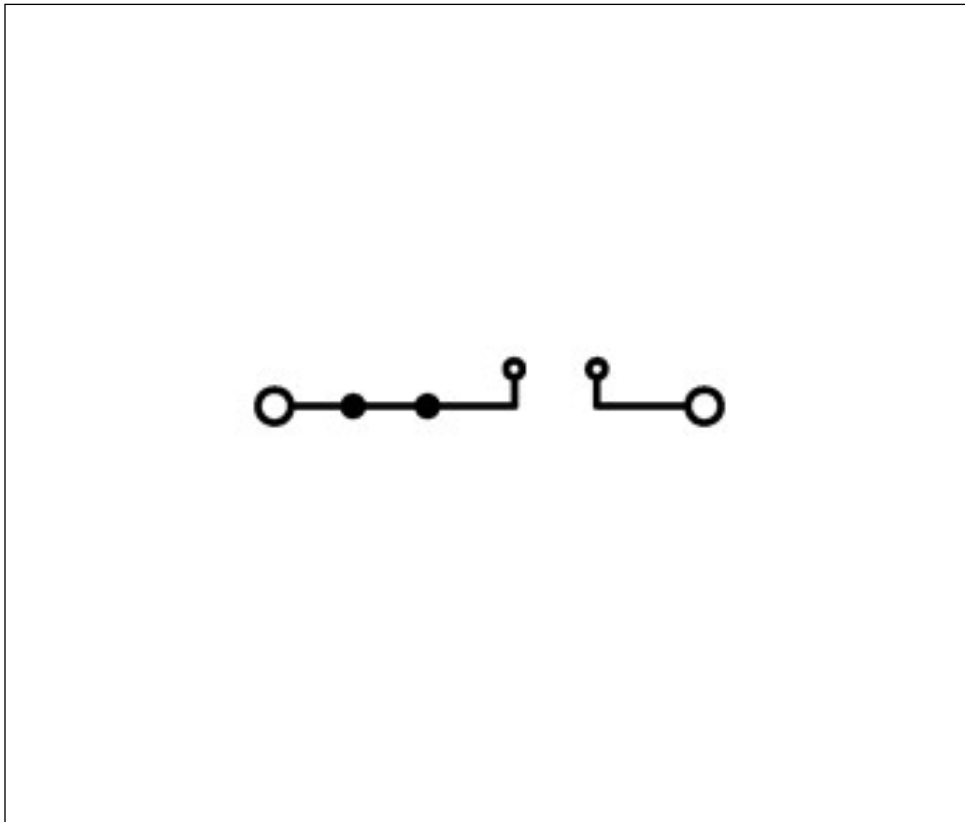
#### Miscellaneous

Total number of connection points	2
Total number of potentials	2
Color	gray
Ratings according to 1	IEC/EN 60947-7-1
Pollution degree (1)	3
Rated voltage EN (1) [V]	400 [V]
Rated surge voltage (1) [kV]	6 [kV]
Nominal current [A]	6.3 [A]
Connection technology (1)	Push-in CAGE CLAMP®
Nominal cross section 1	2.5 mm <sup>2</sup>

<b>Technical data</b>	
<i>Solid sizes 1</i>	<i>0.25 ... 4 mm<sup>2</sup> / 22 ... 12 AWG</i>
<i>solid, directly pluggable 1</i>	<i>0.75 ... 4 mm<sup>2</sup> / 18 ... 12 AWG</i>
<i>Fine-stranded wires 1</i>	<i>0.25 ... 4 mm<sup>2</sup> / 22 ... 12 AWG</i>
<i>min. fine-stranded with insulated ferrule, push-in terminati</i>	<i>0.75 mm<sup>2</sup> / 18 AWG</i>
<i>Strip length 1</i>	<i>10 ... 12 mm / 0.39 ... 0.47 in</i>
<i>Type of wiring</i>	<i>Front-entry wiring</i>
<i>Design</i>	<i>horizontal</i>
<i>Marking level</i>	<i>Center/Side marking</i>
<i>Insulating material</i>	<i>Polyamide 66 (PA 66)</i>
<i>Fire load [MJ]</i>	<i>0.151 [MJ]</i>
<i>Weight [g]</i>	<i>7.029 [g]</i>
<i>Width</i>	<i>5.2 mm / 0.205 in</i>
<i>Height from upper-edge of DIN-rail [mm]</i>	<i>32.9 [mm]</i>
<i>Height from upper-edge of DIN-rail</i>	<i>32.9 mm / 1.295 in</i>
<i>Length</i>	<i>66.1 mm / 2.602 in</i>
<i>Type of mounting</i>	<i>DIN 35 rail</i>

Images & drawings





#### Address

WAGO Kontakttechnik GmbH & Co. KG

Hansastr. 27

32423 Minden

Telefon: 0571/887-0

Fax: 0571/887-169

<http://www.wago.com>

© WAGO Kontakttechnik GmbH & Co. KG

Technische Änderungen und Irrtümer vorbehalten.