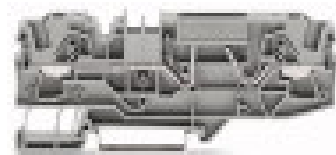


## 2-conductor fuse terminal block for mini-automotive blade-style fuses; with test option; without blown fuse indication

Item No.: 2006-1681



2-conductor fuse terminal block for mini-automotive blade-style fuses; with test option; without blown fuse indication

### Marking

RoHS ✓  
Compliant

### Business data

|                      |               |
|----------------------|---------------|
| Supplier             | WAGO          |
| Item no.             | 2006-1681     |
| GTIN / EAN           | 4050821181729 |
| Content              | 1             |
| Order amount         | 25            |
| Customer item number |               |

### Notes

Safety information 2: Blade-style fuses, please note touchproof protection for 42V and higher.

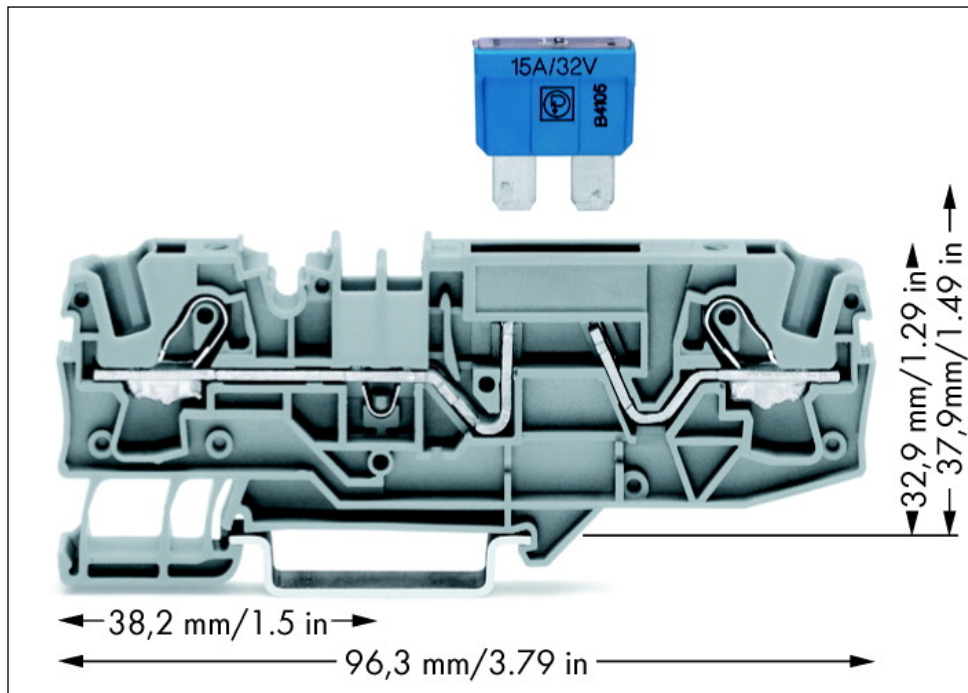
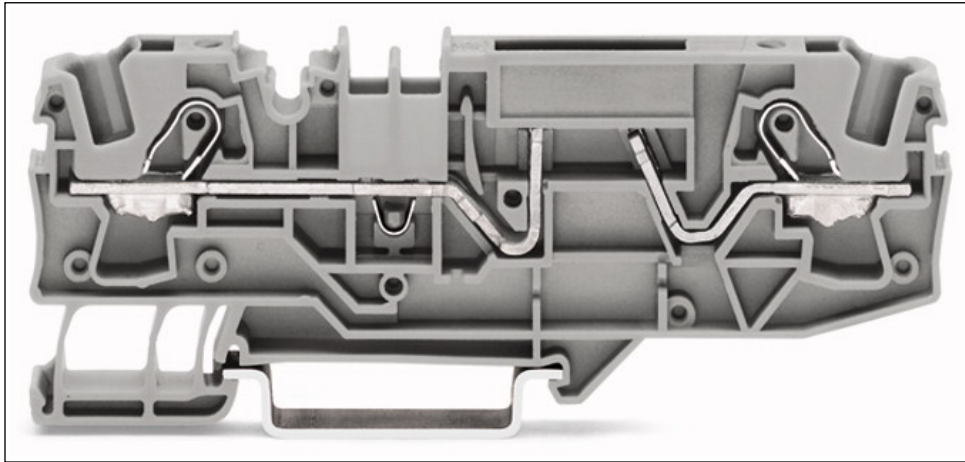
### Technical data

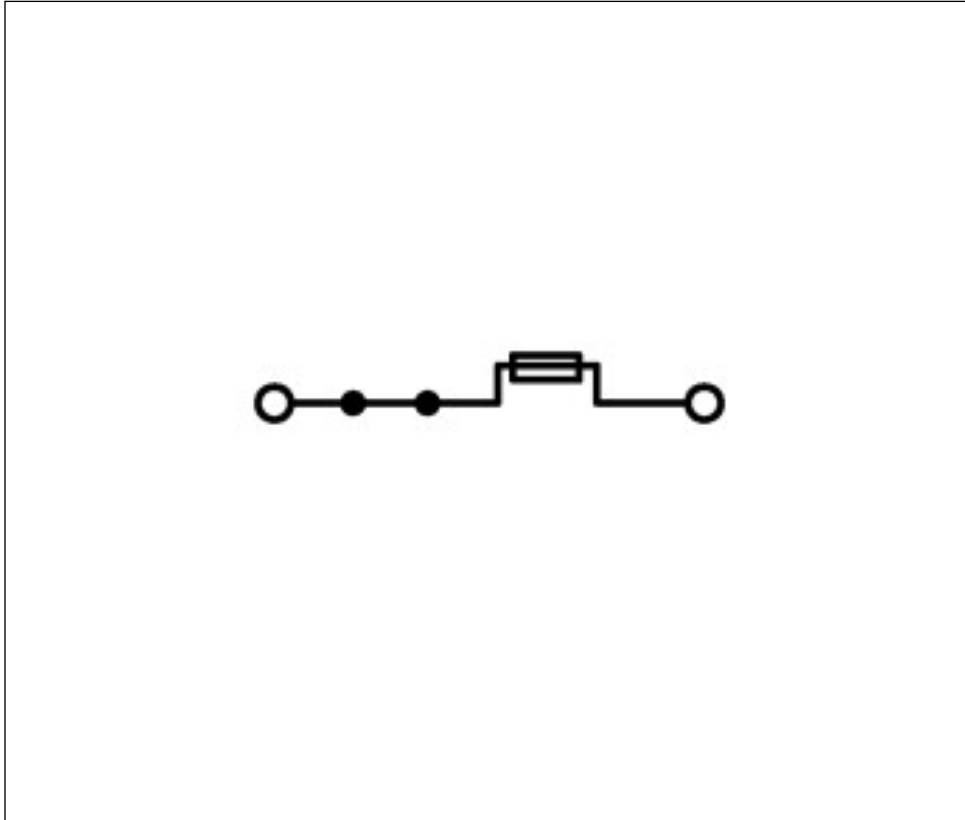
#### Miscellaneous

|                                   |                  |
|-----------------------------------|------------------|
| Total number of connection points | 2                |
| Total number of potentials        | 2                |
| Color                             | gray             |
| Ratings according to 1            | IEC/EN 60947-7-3 |
| Pollution degree (1)              | 3                |
| Rated voltage EN (1) [V]          | 500 [V]          |
| Rated surge voltage (1) [kV]      | 8 [kV]           |
| Nominal current [A]               | 25 [A]           |

| <b>Technical data</b>   |   |
|---|---|
| <i>Nominal current (2) [A]</i>                                      | 30 [A]                                    |
| <i>Connection technology (1)</i>                                    | Push-in CAGE CLAMP®                       |
| <i>Nominal cross section 1</i>                                      | 6 mm <sup>2</sup>                         |
| <i>Solid sizes 1</i>  | 0.5 ... 10 mm <sup>2</sup> / 20 ... 8 AWG |
| <i>solid, directly pluggable 1</i>                                  | 1 ... 10 mm <sup>2</sup> / 14 ... 8 AWG   |
| <i>Fine-stranded wires 1</i>  | 0.5 ... 10 mm <sup>2</sup> / 20 ... 8 AWG |
| <i>min. fine-stranded with insulated ferrule, push-in terminati</i> | 1.5 mm <sup>2</sup> / 16 AWG              |
| <i>Strip length 1</i>   | 13 ... 15 mm / 0.51 ... 0.59 in           |
| <i>Type of wiring</i>   | Front-entry wiring                        |
| <i>Design</i>   | horizontal                                |
| <i>Marking level</i>  | Center/Side marking                       |
| <i>Insulating material</i>  | Polyamide 66 (PA 66)                      |
| <i>Fire load [MJ]</i>   | 0.275 [MJ]                                |
| <i>Weight [g]</i>   | 16.275 [g]                                |
| <i>Width</i>  | 7.5 mm / 0.295 in                         |
| <i>Height from upper-edge of DIN-rail [mm]</i>                      | 32.9 [mm]                                 |
| <i>Height from upper-edge of DIN-rail</i>                           | 32.9 mm / 1.295 in                        |
| <i>Length</i>   | 96.3 mm / 3.791 in                        |
| <i>Type of mounting</i>   | DIN 35 rail                               |
| <i>Safety information 1</i>   | Electrical ratings are given by the fuse. |

Images & drawings





#### Address

WAGO Kontakttechnik GmbH & Co. KG

Hansastr. 27

32423 Minden

Telefon: 0571/887-0

Fax: 0571/887-169

<http://www.wago.com>

© WAGO Kontakttechnik GmbH & Co. KG

Technische Änderungen und Irrtümer vorbehalten.