

## 2-conductor through terminal block; suitable for Ex e II applications

Item No.: 2000-1201



2-conductor through terminal block; suitable for Ex e II applications

### Marking

RoHS ✓  
Compliant

### Business data

Supplier	WAGO
Item no.	2000-1201
GTIN / EAN	4045454966768
Content	1
Order amount	100
Customer item number	

### Notes

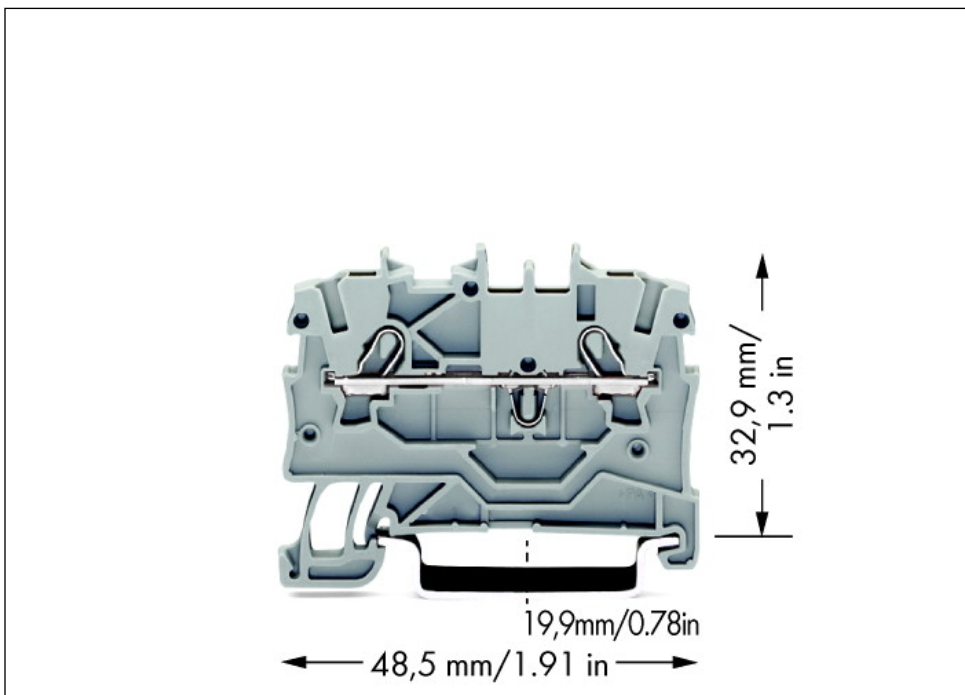
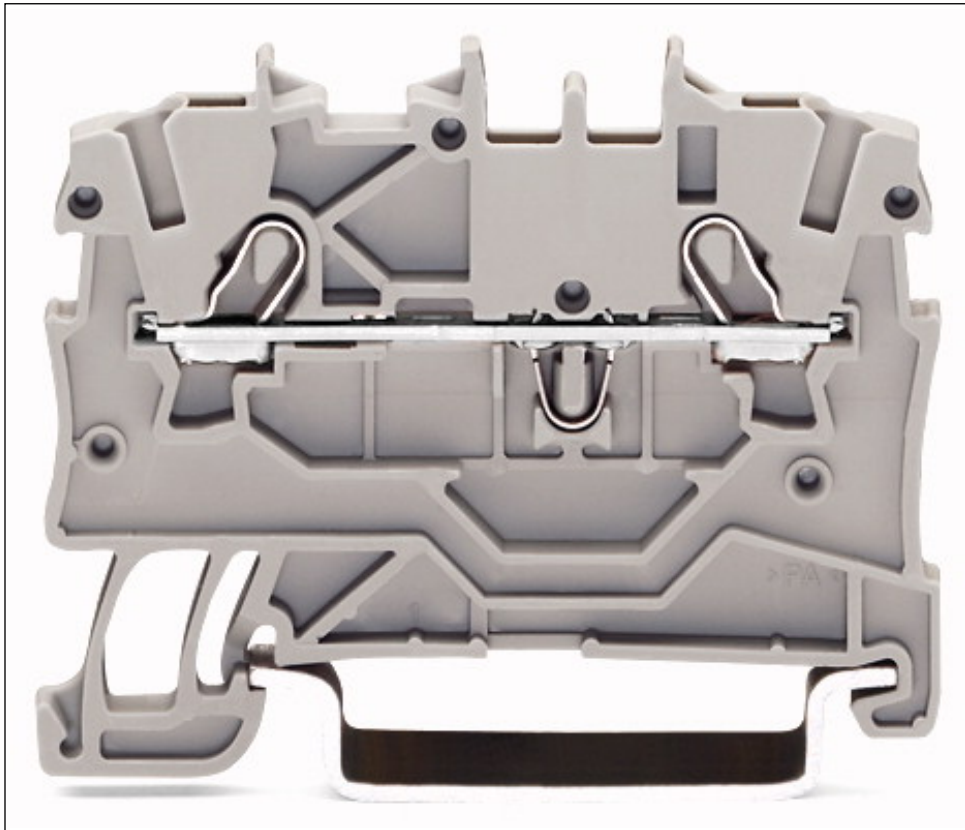
### Technical data

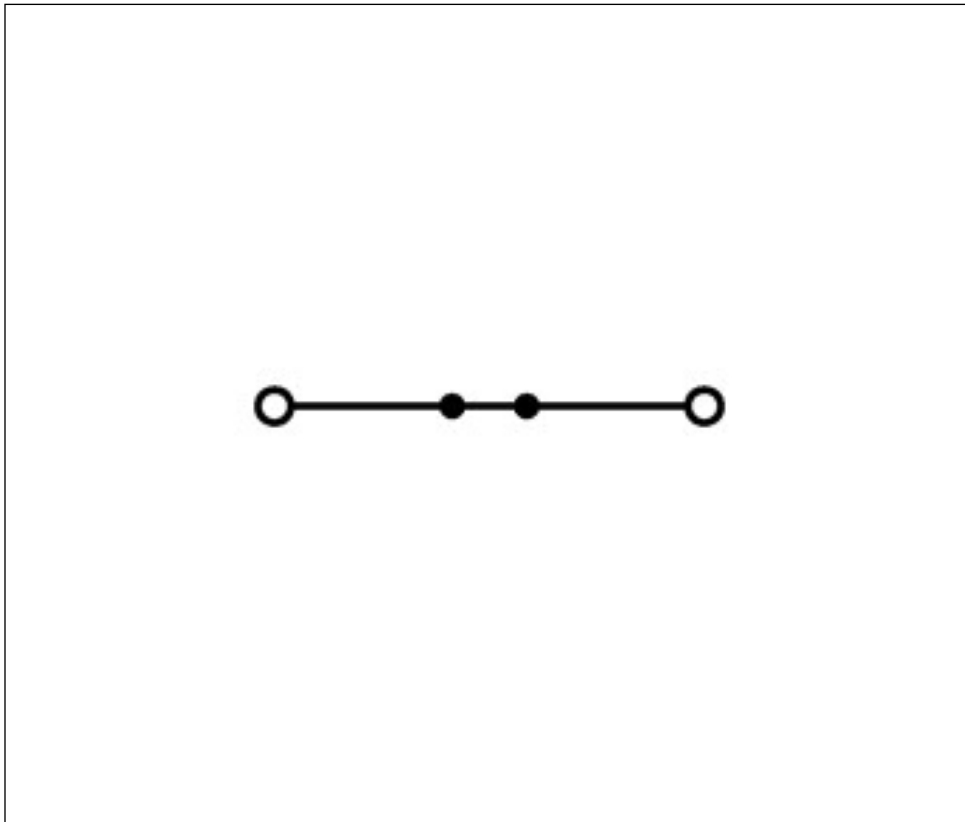
#### Miscellaneous

Total number of connection points	2
Total number of potentials	1
Color	gray
Ratings according to 1	IEC/EN 60947-7-1
Pollution degree (1)	3
Rated voltage EN (1) [V]	800 [V]
Rated surge voltage (1) [kV]	8 [kV]
Nominal current [A]	13.5 [A]
Nominal current (2) [A]	18 [A]
Rated voltage EN (Ex e II) [V]	550 [V]

<b>Technical data</b>	
Nominal current (Ex e II) [A]	13 [A]
Nominal current (Ex e II) with jumper [A]	12 [A]
Connection technology (1)	Push-in CAGE CLAMP®
Nominal cross section 1	1 mm <sup>2</sup>
Solid sizes 1	0.14 ... 1.5 mm <sup>2</sup> / 24 ... 16 AWG
solid, directly pluggable 1	0.5 ... 1.5 mm <sup>2</sup> / 20 ... 16 AWG
Fine-stranded wires 1	0.14 ... 1.5 mm <sup>2</sup> / 24 ... 16 AWG
min. fine-stranded with insulated ferrule, push-in terminati	0.5 mm <sup>2</sup> / 20 AWG
Strip length 1	9 ... 11 mm / 0.35 ... 0.43 in
Type of wiring	Front-entry wiring
Design	horizontal
Marking level	Center/Side marking
Insulating material	Polyamide 66 (PA 66)
Fire load [MJ]	0.079 [MJ]
Weight [g]	3.58 [g]
Width	3.5 mm / 0.138 in
Height from upper-edge of DIN-rail [mm]	32.9 [mm]
Height from upper-edge of DIN-rail	32.9 mm / 1.295 in
Length	48.5 mm / 1.909 in
Type of mounting	DIN 35 rail

Images & drawings





#### Address

WAGO Kontakttechnik GmbH & Co. KG

Hansastr. 27

32423 Minden

Telefon: 0571/887-0

Fax: 0571/887-169

<http://www.wago.com>

© WAGO Kontakttechnik GmbH & Co. KG

Technische Änderungen und Irrtümer vorbehalten.