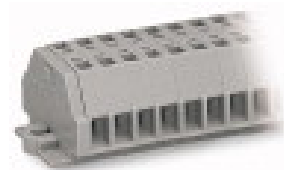


**2-conductor terminal strip; with fixing flanges; for screw or similar mounting types; fixing hole 3.2 mm Ø; with 209-123 mounting carrier for DIN 35 rail; 12-pole**

Item No.: 260-112



2-conductor terminal strip; with fixing flanges; for screw or similar mounting types; fixing hole 3.2 mm Ø; with 209-123 mounting carrier for DIN 35 rail; 12-pole

### Marking

RoHS ✓  
Compliant

### Business data

Supplier	WAGO
Item no.	260-112
GTIN / EAN	4044918598910
Content	1
Order amount	25
Customer item number	

### Notes

### Technical data

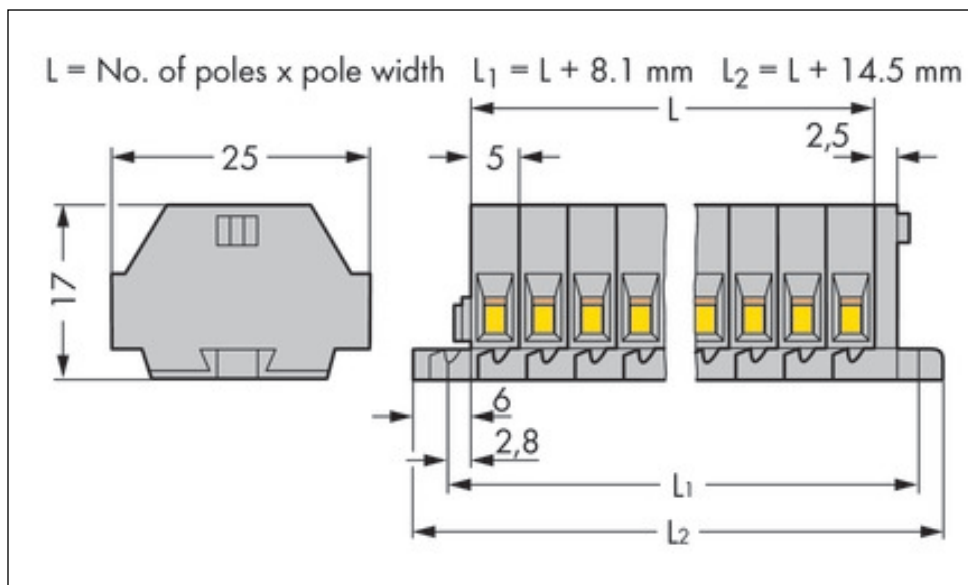
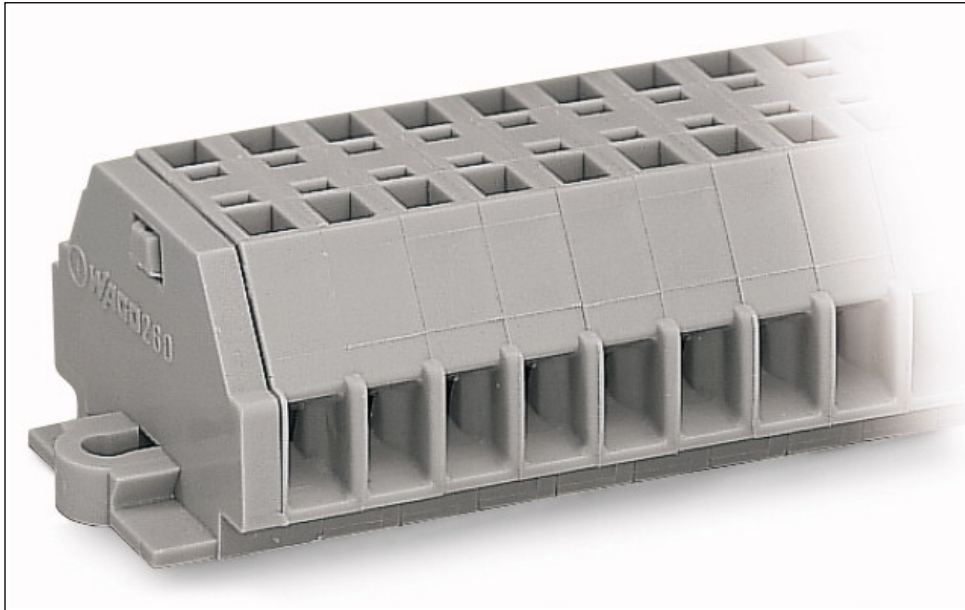
#### Miscellaneous

No. of poles	12
Total number of connection points	24
Total number of potentials	12
Color	gray
Pollution degree (1)	3
Rated voltage EN (1) [V]	400 [V]
Rated surge voltage (1) [kV]	6 [kV]
Nominal current [A]	18 [A]

Printview: 2-conductor terminal strip; with fixing flanges; for screw or similar mounting types; fixing hole 3.2 mm Ø; with 209-123 mounting carrier for DIN 35 rail; 12-pole - Item No.: 260-112

<b>Technical data</b>	
<i>Connection technology (1)</i>	<i>CAGE CLAMP®</i>
<i>Solid sizes 1</i>	<i>0.08 ... 1.5 mm<sup>2</sup> / 28 ... 16 AWG</i>
<i>Fine-stranded wires 1</i>	<i>0.08 ... 1.5 mm<sup>2</sup> / 28 ... 16 AWG</i>
<i>Strip length 1</i>	<i>8 ... 9 mm / 0.31 ... 0.35 in</i>
<i>Type of wiring</i>	<i>Side-entry wiring</i>
<i>Design</i>	<i>horizontal</i>
<i>Marking level</i>	<i>Side marking</i>
<i>Fire load [MJ]</i>	<i>0.411 [MJ]</i>
<i>Weight [g]</i>	<i>20.08 [g]</i>
<i>Width</i>	<i>74.5 mm / 2.933 in</i>
<i>Height from the surface</i>	<i>17 mm / 0.669 in</i>
<i>Length</i>	<i>25 mm / 0.984 in</i>
<i>Module width [mm]</i>	<i>5 [mm]</i>
<i>Module width [inch] [inch]</i>	<i>0.197 [inch]</i>

Images & drawings



**Address**

WAGO Kontakttechnik GmbH & Co. KG

Hansastr. 27

32423 Minden

Telefon: 0571/887-0

Fax: 0571/887-169

<http://www.wago.com>

© WAGO Kontakttechnik GmbH & Co. KG

Technische Änderungen und Irrtümer vorbehalten.