

Male header with straight solder pins; 3-pole; pin spacing 3.5 mm / 0.138 in

Item No.: 2091-1403



Male header with straight solder pins; 3-pole; pin spacing 3.5 mm / 0.138 in

Marking

RoHS ✓
Compliant

Business data

Supplier	WAGO
Item no.	2091-1403
GTIN / EAN	4050821161004
Content	1
Order amount	200
Customer item number	

Notes

Assembly of female connectors without loss of poles, allowing different functions to be divided within one male header Coding pins inserted into the header interface prevent mismating, allowing subsequent coding in panel feedthrough applications The female connector is fully shrouded by the male header's housing, providing vibration resistance up to 20 g

Technical data

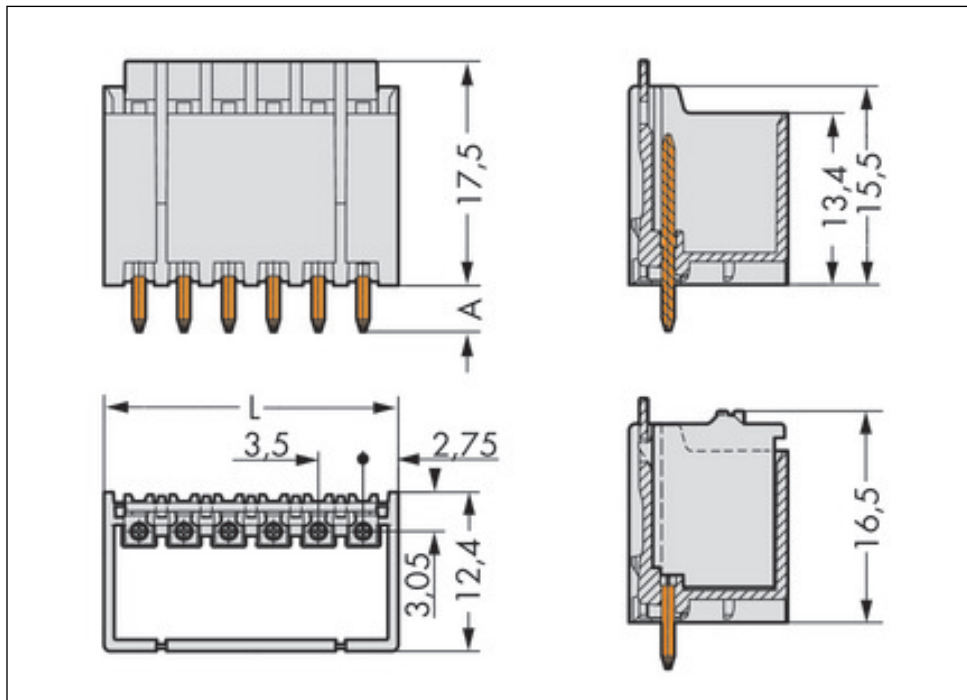
Miscellaneous

No. of poles	3
Pin Spacing	3.5 mm (0.0 in %)
Color	light gray
Ratings according to 1	IEC/EN 60664-1
Overvoltage category EN 1	III
Pollution degree (1)	2

Technical data	
Rated voltage EN (1) [V]	160 [V]
Rated surge voltage (1) [kV]	2.5 [kV]
Nominal current [A]	10 [A]
Overvoltage category EN 2	II
Degree of pollution (2)	2
Rated voltage EN (2) [V]	320 [V]
Rated surge voltage (2) [kV]	2.5 [kV]
Nominal current (2) [A]	10 [A]
Overvoltage category EN 3	III
Degree of pollution (3)	3
Rated voltage EN (3) [V]	160 [V]
Rated surge voltage (3) [kV]	2.5 [kV]
Nominal current (3) [A]	10 [A]
Solder pin length [mm]	3.6 [mm]
Solder pin diameter [mm]	1 [mm]
Tolerance of drilled hole [mm]	1.2(+ 0.1) [mm]
Material group	I
Insulating material	Polyphthalamid (PPA GF)
Flammability rating per UL 94	V0
Limit temperature range	-60 C ... 100 C
Contact material	Electrolytic copper (Ecu)
Contact plating	tin-plated
Fire load [MJ]	0.026 [MJ]
Weight [g]	1.25 [g]
Width	12.5 mm / 0.492 in
Height	21.1 mm / 0.831 in
Height from the surface	17.5 mm / 0.689 in
Length	12.4 mm / 0.488 in

Images & drawings





Address

WAGO Kontakttechnik GmbH & Co. KG

Hansastr. 27

32423 Minden

Telefon: 0571/887-0

Fax: 0571/887-169

<http://www.wago.com>

© WAGO Kontakttechnik GmbH & Co. KG

Technische Änderungen und Irrtümer vorbehalten.