

PUSH WIRE® connector for junction boxes; 4-conductor terminal block; transparent housing; light gray cover

Item No.: 773-124



PUSH WIRE® connector for junction boxes; 4-conductor terminal block; transparent housing; light gray cover

Marking

RoHS ✓
Compliant

Business data

| | |
|----------------------|---------------|
| Supplier | WAGO |
| Item no. | 773-124 |
| GTIN / EAN | 4044918397834 |
| Content | 1 |
| Order amount | 100 |
| Customer item number | |

Notes

Technical data

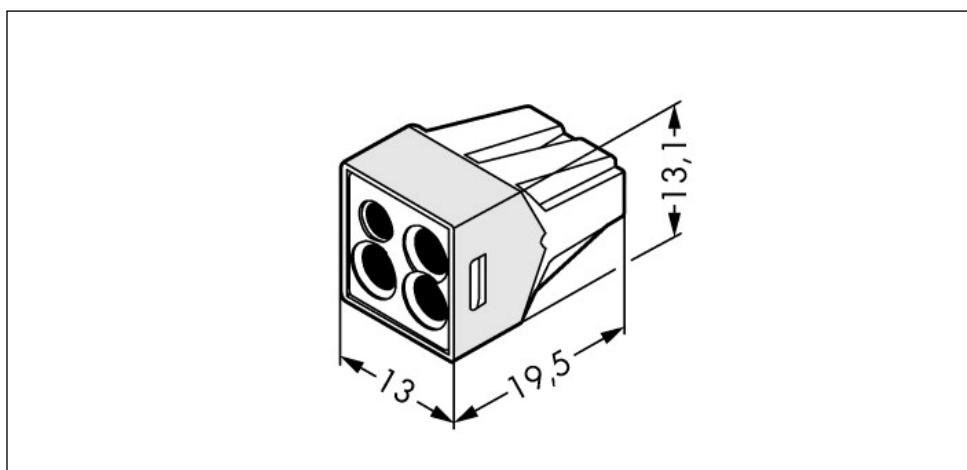
| | |
|-----------------------------------|--|
| <i>Miscellaneous</i> | |
| Total number of connection points | 4 |
| Total number of potentials | 1 |
| Color | transparent |
| Pollution degree (1) | 2 |
| Rated voltage EN (1) [V] | 400 [V] |
| Rated surge voltage (1) [kV] | 4 [kV] |
| Nominal current [A] | 24 [A] |
| Connection technology (1) | PUSH WIRE® |
| Solid sizes 1 | 0.75 ... 2.5 mm ² / 18 ... 12 AWG |

Printview: PUSH WIRE® connector for junction boxes; 4-conductor terminal block; transparent housing; light gray cover - Item No.: 773-124

| Technical data | |
|-----------------------------|--------------------------------|
| <i>Strip length 1</i> | <i>12 mm / 0.47 in</i> |
| <i>Type of wiring</i> | <i>Side-entry wiring</i> |
| <i>Fire load [MJ]</i> | <i>0.058 [MJ]</i> |
| <i>Weight [g]</i> | <i>2.772 [g]</i> |
| <i>Width</i> | <i>13 mm / 0.512 in</i> |
| <i>Height</i> | <i>13.1 mm / 0.516 in</i> |
| <i>Length</i> | <i>19.5 mm / 0.768 in</i> |
| <i>Safety information 1</i> | <i>In grounded power lines</i> |

Images & drawings





Address

WAGO Kontakttechnik GmbH & Co. KG

Hansastr. 27

32423 Minden

Telefon: 0571/887-0

Fax: 0571/887-169

<http://www.wago.com>

© WAGO Kontakttechnik GmbH & Co. KG

Technische Änderungen und Irrtümer vorbehalten.