

PROLINE G2 CABLE ENTRY CABINET

APPLICATION

The Cable Entry Cabinet is a narrow, full-height cabinet attached to the side of a modular enclosure frame for cable management. The full-height side opening can be covered with a solid door or side cover. Closure plates are available to seal the top and bottom of the cable entry cabinet.

FEATURES

- Cable Entry Cabinets facilitate cable entry into the sides of enclosures
- The full-height side opening can be covered with a solid door or side cover (not included)
- Cabinets have foam-in-place gasket and optional accessories to maintain enclosure environmental integrity

SPECIFICATIONS

- Open top and bottom of cabinet provide cable access and management
- Closure plates, available as optional accessories, seal the open ends of the cabinet
- Cabinets have foam-in-place gasket and optional accessories to maintain enclosure environmental integrity
- 14 gauge (1.75mm mild steel)

FINISH

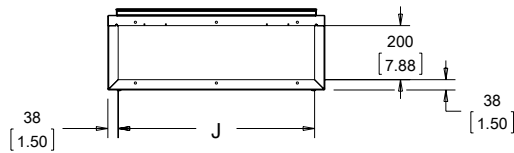
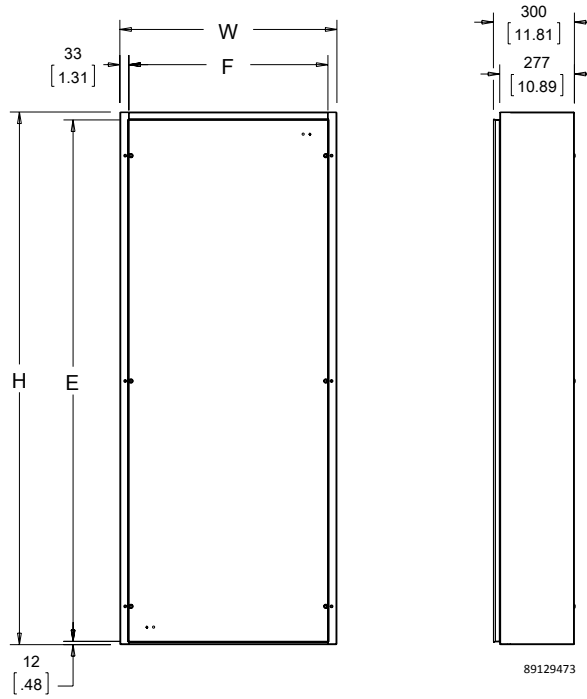
- Polyester powder paint; RAL 7035 textured light gray standard
- Custom colors available

ACCESSORIES

- Closure Plates
- Single Solid Doors
- Side Covers
- Single Window Doors (Polycarbonate)
- Single Window Doors (Glass)
- Single Overlapping Doors

BULLETIN: P40
Standard Product

Catalog Number	Fits Frame H x D (nominal)	E (mm)	E (in.)	F (mm)	F (in.)	J (mm)	J (in.)
P2FC64	600 x 400	531	20.91	337	13.27	328	12.91
P2FC66	600 x 600	531	20.91	537	21.14	528	20.79
P2FC68	600 x 800	531	20.91	737	29.03	728	20.65
P2FC86	800 x 600	731	28.78	537	21.14	528	20.79
P2FC88	800 x 800	731	28.78	737	29.03	728	20.65
P2FC105	1000 x 500	931	36.65	437	17.20	428	16.85
P2FC106	1000 x 600	931	36.65	537	21.14	528	20.79
P2FC108	1000 x 800	931	36.65	737	29.03	728	20.65
P2FC125	1200 x 500	1131	44.53	437	17.20	428	16.85
P2FC126	1200 x 600	1131	44.53	537	21.14	528	20.79
P2FC128	1200 x 800	1131	44.53	737	29.03	728	20.65
P2FC145	1400 x 500	1331	52.41	437	17.20	428	16.85
P2FC148	1400 x 800	1331	52.41	737	29.03	728	20.65
P2FC164	1600 x 400	1531	60.28	337	13.27	328	12.91
P2FC165	1600 x 500	1531	60.28	437	17.20	428	16.85
P2FC166	1600 x 600	1531	60.28	537	21.14	528	20.79
P2FC168	1600 x 800	1531	60.28	737	29.03	728	20.65
P2FC184	1800 x 400	1731	68.15	337	13.27	328	12.91
P2FC185	1800 x 500	1731	68.15	437	17.20	428	16.85
P2FC186	1800 x 600	1731	68.15	537	21.14	528	20.79
P2FC188	1800 x 800	1731	68.15	737	29.03	728	20.65
P2FC204	2000 x 400	1931	76.04	337	13.27	328	12.91
P2FC205	2000 x 500	1931	76.04	437	17.20	428	16.85
P2FC206	2000 x 600	1931	76.04	537	21.14	528	20.79
P2FC208	2000 x 800	1931	76.04	737	29.03	728	20.65
P2FC2010	2000 x 1000	1931	76.04	937	36.89	928	36.54
P2FC225	2200 x 500	2131	83.91	437	17.20	428	16.85
P2FC226	2200 x 600	2131	83.91	537	21.14	528	20.79
P2FC228	2200 x 800	2131	83.91	737	29.03	728	20.65
P2FC2210	2200 x 1000	2131	83.91	937	36.89	928	36.54

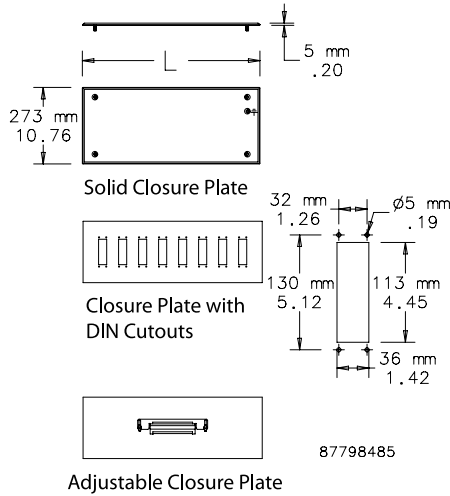


Model	Component	Type	Height	Depth	Catalog Number
P2	F	C	20	6	P2FC206
PROLINE G2	Frame	Blank = standard bay D = disconnect C = cable entry cabinet	mm 22 = 2200 20 = 2000 18 = 1800 16 = 1600 14 = 1400 12 = 1200 10 = 1000 8 = 800 6 = 600	mm 10 = 1000 8 = 800 6 = 600 5 = 500 4 = 400	

CLOSURE PLATES

Closure Plates seal the ends of the cable entry cabinet. Made from 14 gauge steel and finished with RAL 7035 textured gray polyester powder paint.

BULLETIN: P20



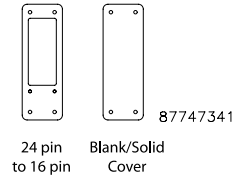
Catalog Number	Description	L mm/in.	Number of DIN Cutouts
PCECGP5	Solid-Fits 500-mm wide cable entry cabinets	497 19.57	—
PCECGP6	Solid-Fits 600-mm wide cable entry cabinets	597 23.51	—
PCECGP8	Solid-Fits 800-mm wide cable entry cabinets	797 31.38	—
PCECGPD5	With DIN cutouts-Fits 500-mm wide cable entry cabinets	497 19.57	5
PCECGPD6	With DIN cutouts-Fits 600-mm wide cable entry cabinets	597 23.51	6
PCECGPD8	With DIN cutouts-Fits 800-mm wide cable entry cabinets	797 31.38	8
PCEGPA5	Adjustable-Fits 500-mm wide cable entry cabinets	497 19.57	—
PCEGPA6	Adjustable-Fits 600-mm wide cable entry cabinets	597 23.51	—
PCEGPA8	Adjustable-Fits 800-mm wide cable entry cabinets	797 31.38	—

CLOSURE PLATE ADAPTERS FOR CUTOUTS

Adapters are used with closure plates containing cutouts. Made from 12 gauge steel and finished with RAL 7035 textured gray polyester powder paint. Allows the option of adapting from 24-pin to 16-pin, 24-pin to 10-pin, 24-pin to 6-pin and 24-pin to no pins (blank).

BULLETIN: P20

Closure Plate Adapters



Catalog Number	Description	Adapter Qty./Package
PAD240	From 24-pin to blank solid cover	1
PAD2416	From 24-pin to 16-pin	1
PAD2410	From 24-pin to 10-pin	1
PAD246	From 24-pin to 6-pin	1

Adapters fit all cable entry cabinets and barriers with 24-pin DIN connector cutouts.

Notes