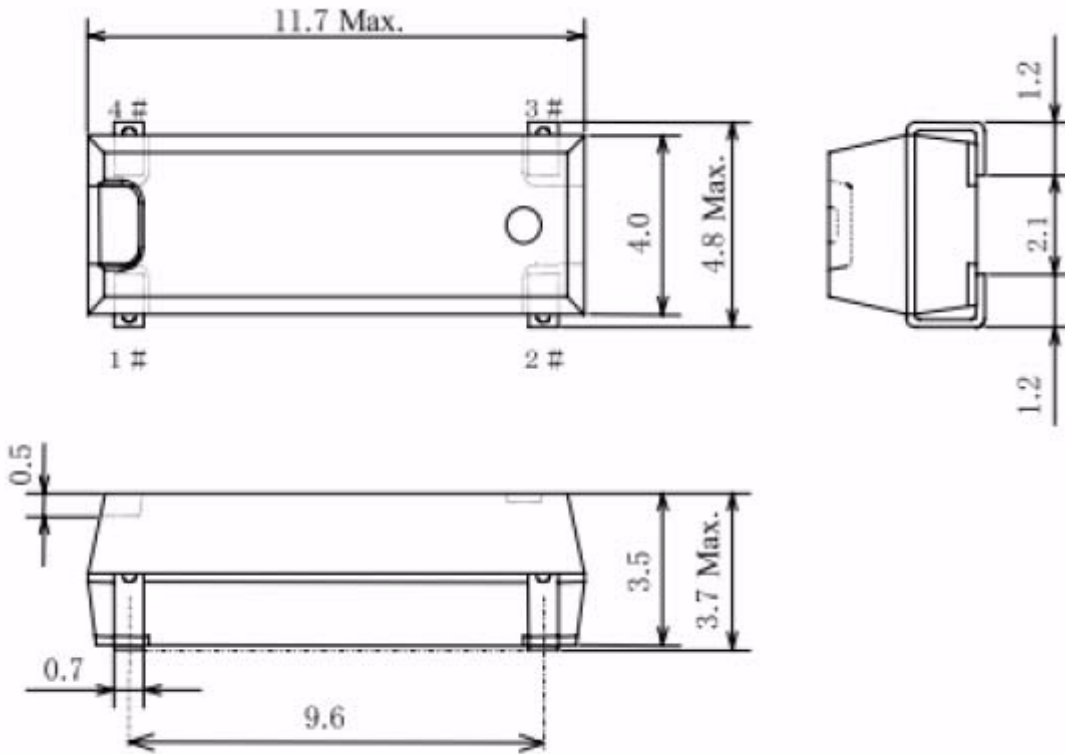




**SPECIFICATION
CONTROL DRAWING
Crystal Resonator**

FREQUENCY

3.686400MHz



Holder Style	CM309E
Mode	Fundamental
Adjustment Tolerance	± 50PPM at 25°C
Temperature Stability	± 100 PPM
Operating Temp. Range	-40°C to +85°C
Load Capacitance	30 pF
ESR	200 Ohm
Ageing	+/-5ppm 1st Year Max
Marking	Mark Std

Amdt Date	Change Note	AEL Code
		X3M686400S009
		Issue Ref A