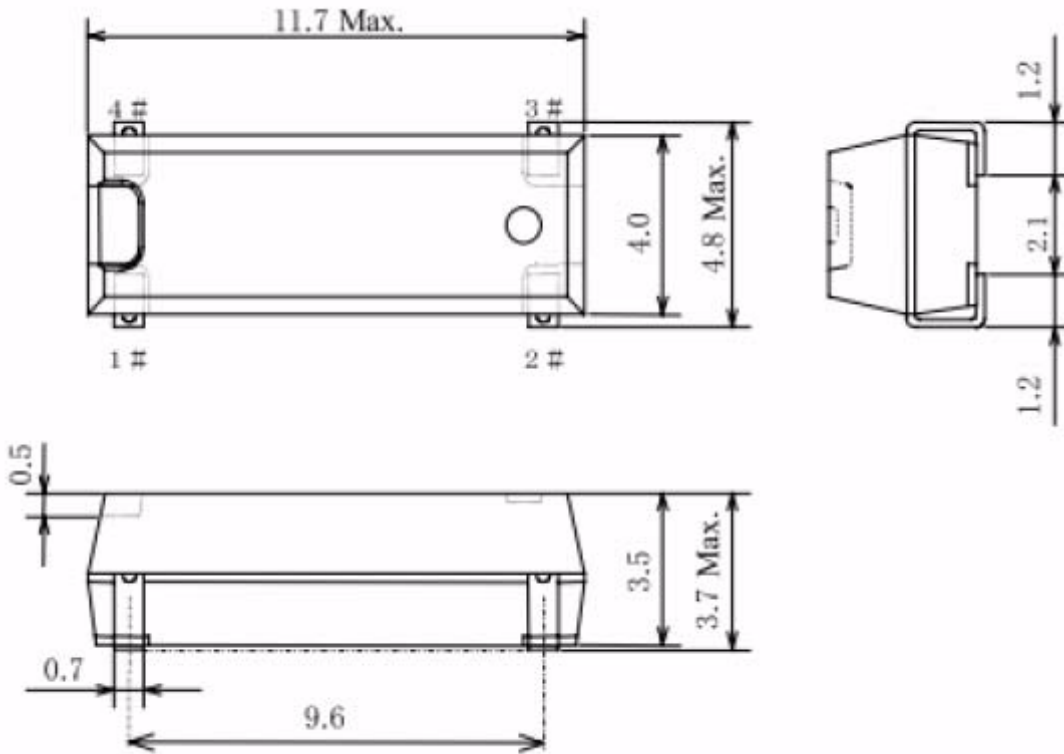




**SPECIFICATION  
CONTROL DRAWING  
Crystal Resonator**

**FREQUENCY**  
**24.000000MHz**



Holder Style	CM309E
Mode	Fundamental
Adjustment Tolerance	± 50PPM at 25°C
Temperature Stability	± 100 PPM
Operating Temp. Range	-40°C to +85°C
Load Capacitance	30 pF
ESR	50 Ohms Max Ohm
Ageing	+/-5ppm 1st Year Max
Marking	Mark Std

Amdt Date	Change Note	AEL Code
1 JUN 15	260C Reflow Compatible	X24M000000S244
	Package changed to CM309E	<b>Issue Ref</b> B