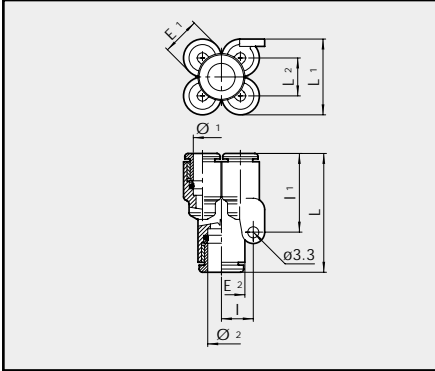


**DUAL Y BRANCH
TECHNOPOLYMER (RL42)**

Code Ref. \varnothing_1 \varnothing_2 E1 E2 L L1 L2 I I1

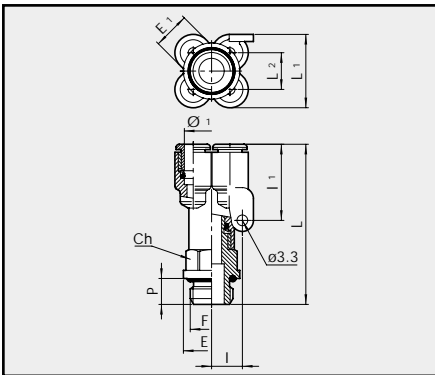


MINIATURE SERIES FOX

2L42001	RL42	4	4	9.2	9.2	28.8	17.9	8.7	8	21.3
2L42002	RL42	4	6	9.2	11.3	31.3	17.9	8.7	8	21.3
2L42004	RL42	6	6	11.3	11.3	33.4	22.6	11.3	9.5	25.6
2L42005	RL42	6	8	11.3	14	34.8	22.6	11.3	9.5	25.6

**DUAL Y BRANCH TECHNOPOLYMER,
THREADED INPUT (RL43)**

Code Ref. \varnothing_1 F E1 E Ch P L L1 L2 I I1

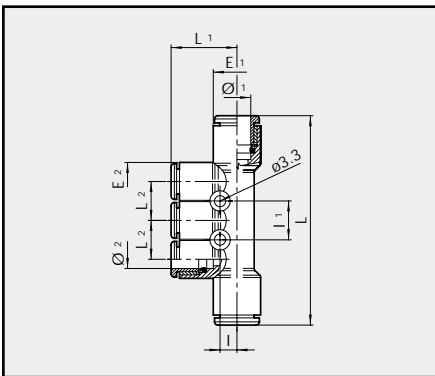


MINIATURE SERIES FOX

2L43001	RL43	4	M5	9.2	8	9	4	35.5	17.9	8.7	8	21.3
2L43002	RL43	4	1/8	9.2	14	12	6	41.6	17.9	8.7	8	21.3
2L43003	RL43	4	1/4	9.2	18	14	8	44.6	17.9	8.7	8	21.3
2L43008	RL43	6	1/8	11.3	14	12	6	43.7	22.6	11.3	9.5	25.6
2L43009	RL43	6	1/4	11.3	18	14	8	46.7	22.6	11.3	9.5	25.6

**MULTIPLE MANIFOLD,
TECHNOPOLYMER (RL44)**

Code Ref. \varnothing_1 \varnothing_2 E1 E2 L L1 L2 I I1

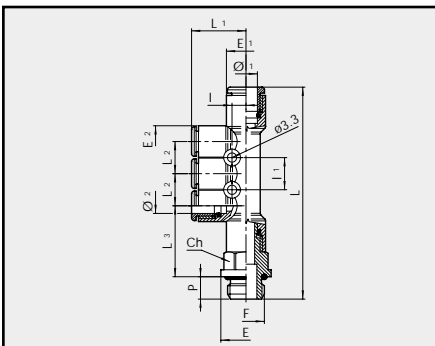


MINIATURE SERIES FOX

2L44001	RL44	6	4	11.3	9.2	53.2	17.2	9.4	4.3	9.4
2L44003	RL44	8	6	14	11.3	61.4	19.6	11.5	5	11.5

**MULTIPLE MANIFOLD, INPUT,
THREADED, TECHNOPOLYMER (RL45)**

Code Ref. F \varnothing_1 \varnothing_2 E1 E2 E Ch P L L1 L2 L3 I I1



MINIATURE SERIES FOX

2L45001	RL45	1/8	6	4	11.3	9.2	14	12	6	63.5	17.2	9.4	21.5	4.3	9.4
2L45002	RL45	1/4	6	4	11.3	9.2	18	14	8	66.5	17.2	9.4	22.5	4.3	9.4
2L45007	RL45	1/8	8	6	14	11.3	15	14	6	71.2	19.6	11.5	23	5	11.5
2L45008	RL45	1/4	8	6	14	11.3	18	14	8	75.6	19.6	11.5	25.4	5	11.5
2L45009	RL45	3/8	8	6	14	11.3	22	17	9	77.2	19.6	11.5	26	5	11.5