

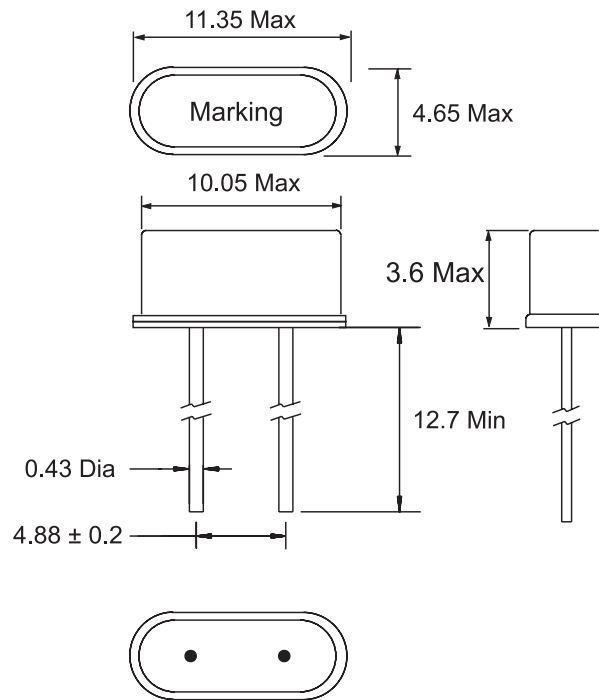
**RoHS Compliant  
Pb - Lead Free**

| Ltr | Revisions | Date | Appr |
|-----|-----------|------|------|
|     |           |      |      |
|     |           |      |      |
|     |           |      |      |

**Electrical Specifications:**

|  |                   |          |
|--|-------------------|----------|
| Nominal Frequency                          | 16.000            | MHz      |
| Mode of Oscillation                        | Fundamental       | -        |
| Frequency Tolerance at 25°C                | ±30               | PPM Max  |
| Frequency Stability over Temperature Range | ±50               |          |
| Operating Temperature Range (Extended)     | -40 to +85        | ° C      |
| Storage Temperature Range                  | -55 to +125       |          |
| Aging per Year                             | ±3                | PPM Max  |
| Load Capacitance                           | 18                | pF       |
| Shunt Capacitance (Maximum)                | 7                 |          |
| Equivalent Series Resistance (ESR)         | 40                | Ohms Max |
| Drive Level                                | 100 Typ - 500 Max | uW       |
| Solder Reflow Characteristics              | +260 for 10 s Max | ° C      |

**Mechanical Specifications:**



11-3 Chien-Kuo Rd T.E.P.Z. 4027 Taiwan, ROC

All dimensions are millimeters.

CAD: TR

Review: SL

Appr: AL

Page: 1/1 | Date: Jan. 16, 2008

Specification Title:

**Quartz Crystal Unit  
HC-49/U-S - Through Hole  
Product Specification  
Farnell Order Code: 1538746**

Part Number: **CA-16.000-18-3050-X**