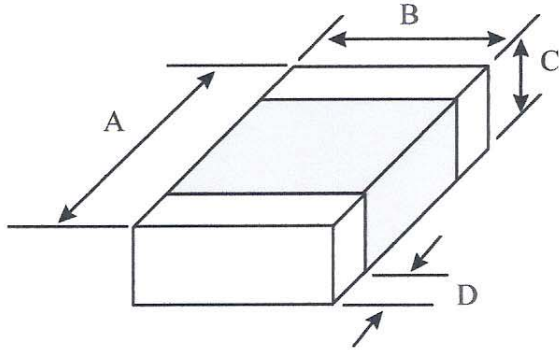


SPEC. FOR APPROVAL

PART NO.

M: 6-321611-0120PW

SIZE SPEC.



A **3.2±0.20 m/m**

B **1.6±0.20 m/m**

C **1.1±0.20 m/m**

D **0.5±0.30 m/m**

MEAS. ITEM

TEST FREQ./VOLTAGE

SPECIFICATION

MEAS. INSTRUMENT

Z

100 MHz/500mV

120 Ω ±25%

HP4286A RF LCR METER

Rdc

0.015 Ω (Max)

HP4291A RF IMPEDANCE/MATERIAL ANALYZER

IDC

6 A (Max)

HP4338B MILLOHMMETER

HP34401A MULTIMETER

HP4284A PRECISION LCR METER

HP42841A BIAS CURRENT SOURCE

TYPICAL ELECTRICAL CHARACTERISTICS CURVE

