



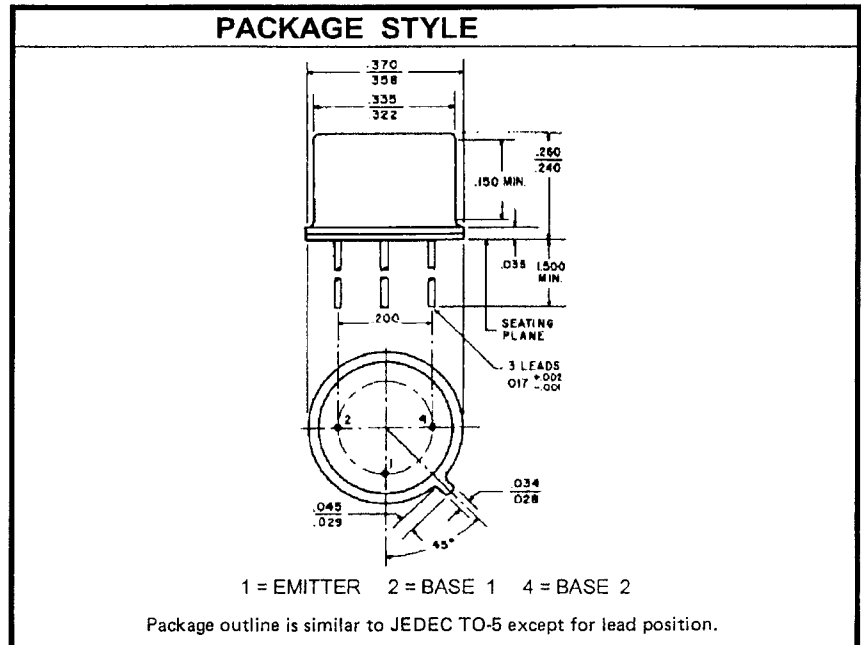
# SILICON PN UNIJUNCTION TRANSISTOR

## DESCRIPTION:

The 2N1671A is a Unijunction Transistor Used in General Purpose Pulse, Timing, Sense and Trigger Applications

## MAXIMUM RATINGS

$I_C$	2.0 A (PULSED)
$V_{CE}$	30 V
$P_{DISS}$	450 mW @ $T_C = 25^\circ C$
$T_J$	$-65^\circ C$ to $+140^\circ C$
$T_{STG}$	$-65^\circ C$ to $+150^\circ C$
$\theta_{JC}$	255 $^\circ C/W$



## CHARACTERISTICS $T_C = 25^\circ C$

SYMBOL	TEST CONDITIONS	MINIMUM	TYPICAL	MAXIMUM	UNITS
$\eta$	$V_{B2B1} = 10 V$	0.47		0.62	---
$r_{BB}$	$V_{B2B1} = 3.0 V$	4.7		9.1	K $\Omega$
$V_{EB1(SAT)}$	$V_{B2B1} = 10 V$ $I_E = 50 mA$			5.0	V
$I_{B2(MOD)}$	$V_{B2B1} = 10 V$ $I_E = 50 mA$	6.8		22	mA
$I_{B2EO}$	$V_{B2E} = 30 V$ $I_{B1} = 0$			12	$\mu A$
$I_P$	$V_{B2B1} = 25 V$			25	$\mu A$
$I_V$	$V_{B2B1} = 20 V$ $R_{B2} = 100 \Omega$	8.0			mA
$V_{OB1}$	$V_{B2B1} = 20 V$ $R_{B1} = 20 \Omega$	3.0			V

