

# HCPL0600, HCPL0601, HCPL0611, HCPL0637, HCPL0638, HCPL0639 High Speed-10 MBit/s Logic Gate Optocouplers

Single Channel: HCPL0600, HCPL0601, HCPL0611  
Dual Channel: HCPL0637, HCPL0638, HCPL0639

## Features

- Compact SO8 package
- Very high speed-10 MBit/s
- Superior CMR
- Logic gate output
- Storable output (single channel devices)
- Wired OR-open collector
- U.L. recognized (File # E90700)
- IEC60747-5-2 approved (VDE option)
  - HCPL0600, HCPL0601, HCPL0611 only

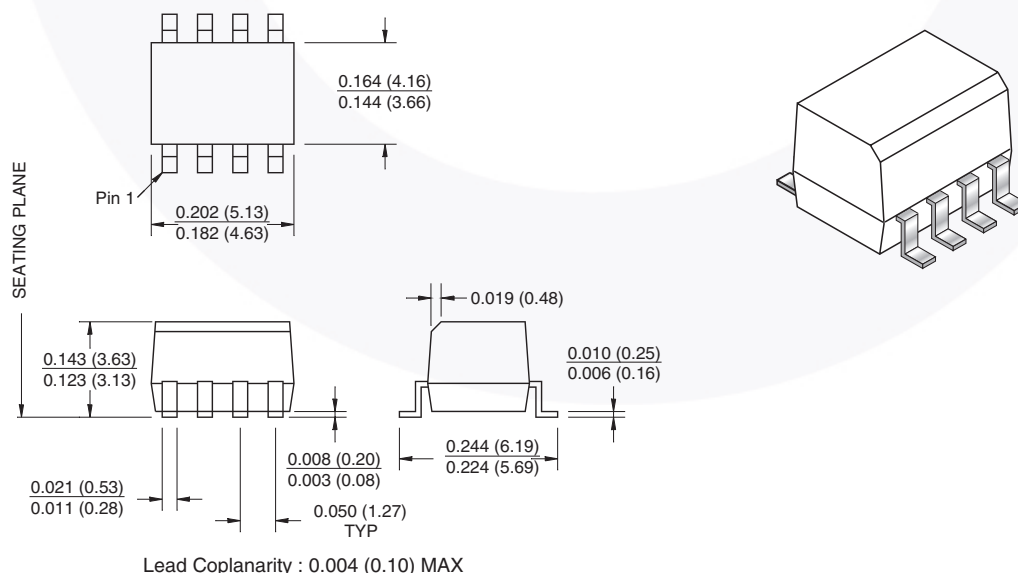
## Applications

- Ground loop elimination
- LSTTL to TTL, LSTTL or 5-volt CMOS
- Line receiver, data transmission
- Data multiplexing
- Switching power supplies
- Pulse transformer replacement
- Computer-peripheral interface

## Description

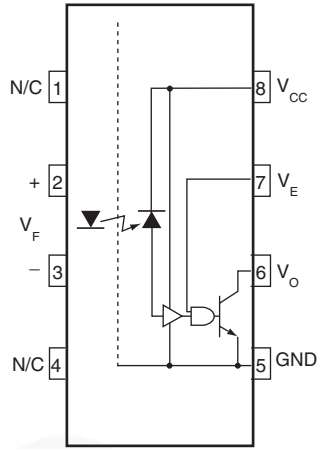
The HCPL06XX optocouplers consist of an AlGaAs LED, optically coupled to a very high speed integrated photo-detector logic gate with a storable output (single channel devices). The devices are housed in a compact small-outline package. This output features an open collector, thereby permitting wired OR outputs. The HCPL0600, HCPL0601 and HCPL0611 output consists of bipolar transistors on a bipolar process while the HCPL0637, HCPL0638, and HCPL0639 output consists of bipolar transistors on a CMOS process for reduced power consumption. The coupled parameters are guaranteed over the temperature range of -40°C to +85°C. An internal noise shield provides superior common mode rejection.

## Package Dimensions

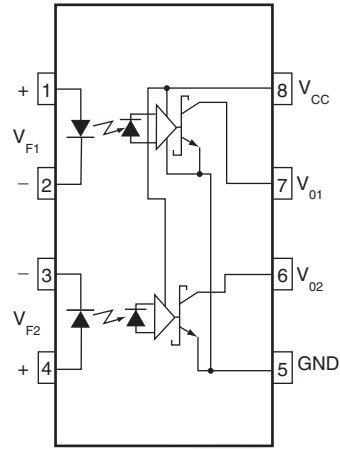


### Note:

All dimensions are in inches (millimeters)



**Single-channel circuit drawing**  
(HCPL0600, HCPL0601 and HCPL0611)



**Dual-channel circuit drawing**  
(HCPL0637, HCPL0638 and HCPL0639)

**Truth Table** (Positive Logic)

Input	Enable	Output
H	H	L
L	H	H
H	L	H
L	L	H
H*	NC*	L*
L*	NC*	H*

\*Dual channel devices or single channel devices with pin 7 not connected.  
A 0.1 $\mu$ F bypass capacitor must be connected between pins 8 and 5. (See note 1)



### Absolute Maximum Ratings (No derating required up to 85°C)

Stresses exceeding the absolute maximum ratings may damage the device. The device may not function or be operable above the recommended operating conditions and stressing the parts to these levels is not recommended. In addition, extended exposure to stresses above the recommended operating conditions may affect device reliability. The absolute maximum ratings are stress ratings only.

Symbol	Parameter	Value	Units	
T <sub>STG</sub>	Storage Temperature	-40 to +125	°C	
T <sub>OPR</sub>	Operating Temperature	-40 to +85	°C	
<b>EMITTER</b>				
I <sub>F</sub>	DC/Average Forward Input Current (each channel)	Single Channel	50	mA
		Dual Channel		
V <sub>E</sub>	Enable Input Voltage Not to exceed V <sub>CC</sub> by more than 500mV	Single Channel	5.5	V
V <sub>R</sub>	Reverse Input Voltage (each channel)		5.0	V
P <sub>I</sub>	Power Dissipation	Single Channel	45	mW
		Dual Channel		
<b>DETECTOR</b>				
V <sub>CC</sub> (1 minute max)	Supply Voltage		7.0	V
I <sub>O</sub>	Output Current (each channel)	Single Channel	50	mA
		Dual Channel	15	
V <sub>O</sub>	Output Voltage (each channel)		7.0	V
P <sub>O</sub>	Collector Output Power Dissipation	Single Channel	85	mW
		Dual Channel	85	

### Recommended Operating Conditions

The Recommended Operating Conditions table defines the conditions for actual device operation. Recommended operating conditions are specified to ensure optimal performance to the datasheet specifications. Fairchild does not recommend exceeding them or designing to absolute maximum ratings.

Symbol	Parameter	Min.	Max.	Units	
I <sub>FL</sub>	Input Current, Low Level	0	250	μA	
I <sub>FH</sub>	Input Current, High Level	*6.3	15	mA	
V <sub>CC</sub>	Supply Voltage, Output	4.5	5.5	V	
V <sub>EL</sub>	Enable Voltage, Low Level	Single Channel only	0	0.8	V
V <sub>EH</sub>	Enable Voltage, High Level	Single Channel only	2.0	V <sub>CC</sub>	V
T <sub>A</sub>	Operating Temperature	-40	+85	°C	
N	Fan Out (TTL load)	Single Channel		8	TTL Loads
		Dual Channel		5	
R <sub>L</sub>	Output Pull-up	330	4K	Ω	

\*6.3mA is a guard banded value which allows for at least 20% CTR degradation. Initial input current threshold value is 5.0mA or less

**Electrical Characteristics** ( $T_A = -40^\circ\text{C}$  to  $+85^\circ\text{C}$  unless otherwise specified.)

**Individual Component Characteristics**

Symbol	Parameter	Test Conditions	Min.	Typ.*	Max.	Unit
<b>EMITTER</b>						
$V_F$	Input Forward Voltage	$I_F = 10\text{mA}$ $T_A = 25^\circ\text{C}$			1.8	V
					1.75	
$B_{VR}$	Input Reverse Breakdown Voltage	$I_R = 10\mu\text{A}$	5.0			V
$\Delta V_F/\Delta T_A$	Input Diode Temperature Coefficient	$I_F = 10\text{mA}$		-1.5		mV/ $^\circ\text{C}$
<b>DETECTOR</b>						
$I_{CCH}$	High Level Supply Current	$I_F = 0\text{mA}$ , $V_{CC} = 5.5\text{V}$	$V_E = 0.5\text{V}$ Single Channel		10	mA
			Dual Channel		15	
$I_{CCL}$	Low Level Supply Current	$I_F = 10\text{mA}$ , $V_{CC} = 5.5\text{V}$	$V_E = 0.5\text{V}$ Single Channel		13	mA
			Dual Channel		21	
$I_{EL}$	Low Level Enable Current	$V_{CC} = 5.5\text{V}$ , $V_E = 0.5\text{V}$			-1.6	mA
$I_{EH}$	High Level Enable Current	$V_{CC} = 5.5\text{V}$ , $V_E = 2.0\text{V}$			-1.6	mA
$V_{EH}$	High Level Enable Voltage	$V_{CC} = 5.5\text{V}$ , $I_F = 10\text{mA}$	2.0			V
$V_{EL}$	Low Level Enable Voltage	$V_{CC} = 5.5\text{V}$ , $I_F = 10\text{mA}^{(2)}$			0.8	V

**Switching Characteristics** ( $T_A = -40^\circ\text{C}$  to  $+85^\circ\text{C}$ ,  $V_{CC} = 5\text{V}$ ,  $I_F = 7.5\text{mA}$  unless otherwise specified.)

Symbol	AC Characteristics	Test Conditions	Device	Min.	Typ.	Max.	Unit
$T_{PLH}$	Propagation Delay Time to Output High Level	$R_L = 350\Omega$ , $C_L = 15\text{pF}^{(3)}$ (Fig. 20) $T_A = 25^\circ\text{C}$	All	20		75 100	ns
$T_{PHL}$	Propagation Delay Time to Output Low Level	$R_L = 350\Omega$ , $C_L = 15\text{pF}^{(4)}$ (Fig. 20) $T_A = 25^\circ\text{C}$	All	25		75 100	ns
$ T_{PHL} - T_{PLH} $	Pulse Width Distortion	$R_L = 350\Omega$ , $C_L = 15\text{pF}$ (Fig. 20)	All			35	ns
$t_r$	Output Rise Time (10-90%)	$R_L = 350\Omega$ , $C_L = 15\text{pF}^{(5)}$ (Fig. 20)	Single Ch		50		ns
			Dual Ch		17		
$t_f$	Output Fall Time (90-10%)	$R_L = 350\Omega$ , $C_L = 15\text{pF}^{(6)}$ (Fig. 20)	Single Ch		12		ns
			Dual Ch		5		
$t_{ELH}$	Enable Propagation Delay Time to Output High Level	$I_F = 7.5\text{mA}$ , $V_{EH} = 3.5\text{V}$ , $R_L = 350\Omega$ , $C_L = 15\text{pF}^{(7)}$ (Fig. 21)	HCPL0600 HCPL0601 HCPL0611		20		ns
$t_{EHL}$	Enable Propagation Delay Time to Output Low Level	$I_F = 7.5\text{mA}$ , $V_{EH} = 3.5\text{V}$ , $R_L = 350\Omega$ , $C_L = 15\text{pF}^{(8)}$ (Fig. 21)	HCPL0600 HCPL0601 HCPL0611		20		ns
$ICM_{Hl}$	Common Mode Transient Immunity (at Output High Level)	$R_L = 350\Omega$ , $T_A = 25^\circ\text{C}$ , $I_F = 0\text{mA}$ , $V_{OH}$ (Min.) = $2.0\text{V}^{(9)}$ (Fig. 22, 23)	$ V_{CM}  = 10\text{V}$	HCPL0600 HCPL0637	5,000		V/ $\mu\text{s}$
			$ V_{CM}  = 50\text{V}$	HCPL0601 HCPL0638	10,000		
			$ V_{CM}  = 1,000\text{V}$	HCPL0611	15,000		
				HCPL0639	25,000		
$ICM_{Ll}$	Common Mode Transient Immunity (at Output Low Level)	$R_L = 350\Omega$ , $T_A = 25^\circ\text{C}$ , $I_F = 7.5\text{mA}$ , $V_{OL}$ (Max.) = $0.8\text{V}^{(10)}$ (Fig. 22, 23)	$ V_{CM}  = 10\text{V}$	HCPL0600 HCPL0637	5,000		V/ $\mu\text{s}$
			$ V_{CM}  = 50\text{V}$	HCPL0601 HCPL0638	10,000		
			$ V_{CM}  = 1,000\text{V}$	HCPL0611	15,000		
				HCPL0639	25,000		

**Transfer Characteristics** ( $T_A = -40^\circ\text{C}$  to  $+85^\circ\text{C}$  unless otherwise specified.)

Symbol	DC Characteristics	Test Conditions	Min.	Typ.*	Max.	Unit
$I_{OH}$	High Level Output Current	$V_{CC} = 5.5\text{V}$ , $V_O = 5.5\text{V}$ , $I_F = 250\mu\text{A}$ , $V_E = 2.0\text{V}^{(2)}$			100	$\mu\text{A}$
$V_{OL}$	Low Level Output Voltage	$V_{CC} = 5.5\text{V}$ , $I_F = 5\text{mA}$ , $V_E = 2.0\text{V}$ , $I_{OL} = 13\text{mA}^{(2)}$			0.6	V
$I_{FT}$	Input Threshold Current	$V_{CC} = 5.5\text{V}$ , $V_O = 0.6\text{V}$ , $V_E = 2.0\text{V}$ , $I_{OL} = 13\text{mA}$			5	mA

**Isolation Characteristics** ( $T_A = -40^\circ\text{C}$  to  $+85^\circ\text{C}$  unless otherwise specified.)

Symbol	Characteristics	Test Conditions	Min.	Typ.*	Max.	Unit
$I_{I-O}$	Input-Output Insulation Leakage Current	Relative humidity = 45%, $T_A = 25^\circ\text{C}$ , $t = 5\text{s}$ , $V_{I-O} = 3000\text{VDC}^{(11)}$			1.0*	$\mu\text{A}$
$V_{ISO}$	Withstand Insulation Test Voltage	$R_H < 50\%$ , $T_A = 25^\circ\text{C}$ , $I_{I-O} \leq 2\mu\text{A}$ , $t = 1\text{min.}^{(11)}$	3750			$V_{RMS}$
$R_{I-O}$	Resistance (Input to Output)	$V_{I-O} = 500\text{V}^{(11)}$		$10^{12}$		$\Omega$
$C_{I-O}$	Capacitance (Input to Output)	$f = 1\text{MHz}^{(11)}$		0.6		pF

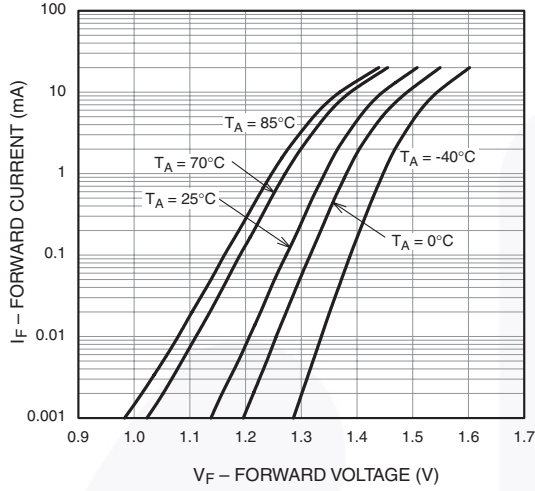
\*All typical values are at  $V_{CC} = 5\text{V}$ ,  $T_A = 25^\circ\text{C}$

**Notes:**

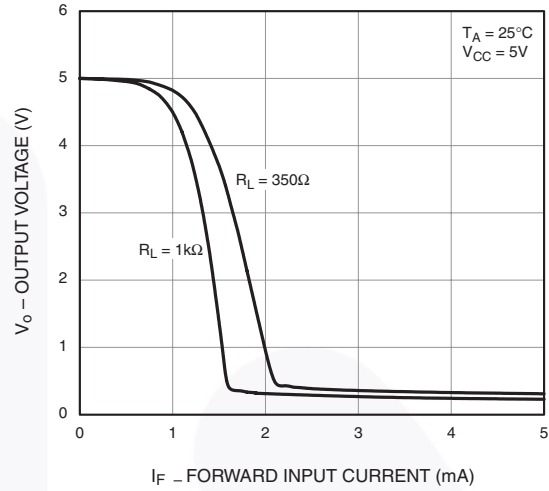
1. The  $V_{CC}$  supply to each optoisolator must be bypassed by a  $0.1\mu\text{F}$  capacitor or larger. This can be either a ceramic or solid tantalum capacitor with good high frequency characteristic and should be connected as close as possible to the package  $V_{CC}$  and GND pins of each device.
2. Enable Input – No pull up resistor required as the device has an internal pull up resistor.
3.  $t_{PLH}$  – Propagation delay is measured from the  $3.75\text{mA}$  level on the HIGH to LOW transition of the input current pulse to the  $1.5\text{V}$  level on the LOW to HIGH transition of the output voltage pulse.
4.  $t_{PHL}$  – Propagation delay is measured from the  $3.75\text{mA}$  level on the LOW to HIGH transition of the input current pulse to the  $1.5\text{V}$  level on the HIGH to LOW transition of the output voltage pulse.
5.  $t_r$  – Rise time is measured from the 90% to the 10% levels on the LOW to HIGH transition of the output pulse.
6.  $t_f$  – Fall time is measured from the 10% to the 90% levels on the HIGH to LOW transition of the output pulse.
7.  $t_{ELH}$  – Enable input propagation delay is measured from the  $1.5\text{V}$  level on the HIGH to LOW transition of the input voltage pulse to the  $1.5\text{V}$  level on the LOW to HIGH transition of the output voltage pulse.
8.  $t_{EHL}$  – Enable input propagation delay is measured from the  $1.5\text{V}$  level on the LOW to HIGH transition of the input voltage pulse to the  $1.5\text{V}$  level on the HIGH to LOW transition of the output voltage pulse.
9.  $CM_H$  – The maximum tolerable rate of rise of the common mode voltage to ensure the output will remain in the high state (i.e.,  $V_{OUT} > 2.0\text{V}$ ). Measured in volts per microsecond ( $\text{V}/\mu\text{s}$ ).
10.  $CM_L$  – The maximum tolerable rate of fall of the common mode voltage to ensure the output will remain in the low output state (i.e.,  $V_{OUT} < 0.8\text{V}$ ). Measured in volts per microsecond ( $\text{V}/\mu\text{s}$ ).
11. Device considered a two-terminal device: Pins 1, 2, 3 and 4 shorted together, and Pins 5, 6, 7 and 8 shorted together.

**Typical Performance Curves** (HCPL0600, HCPL0601 and HCPL0611 only)

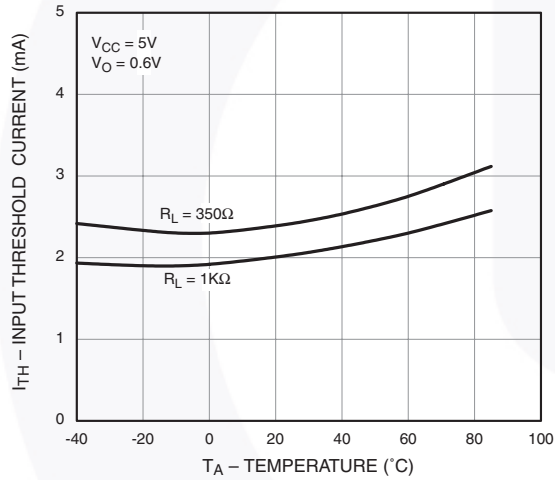
**Fig. 1 Forward Current vs. Input Forward Voltage**



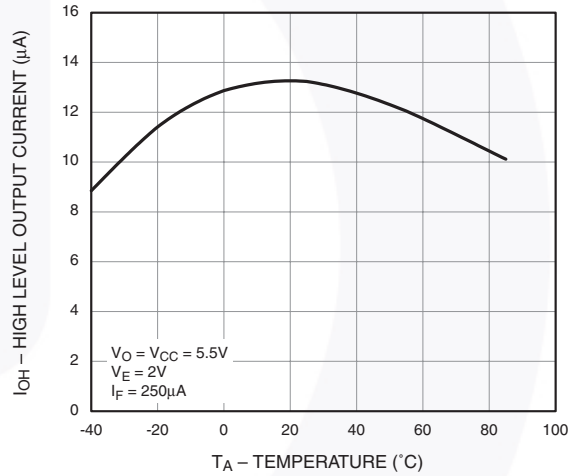
**Fig. 2 Output Voltage vs. Forward Current**



**Fig. 3 Input Threshold Current vs. Temperature**

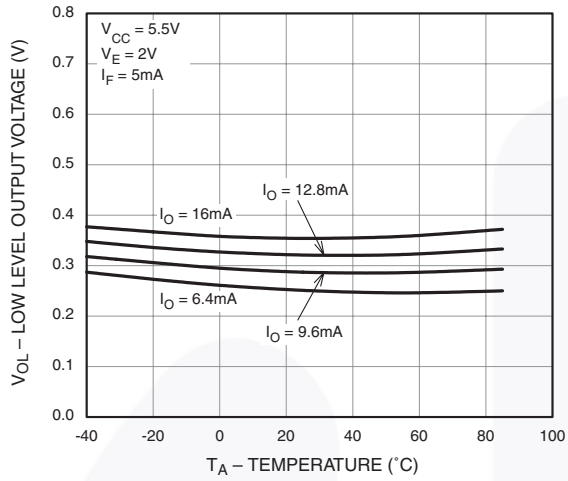


**Fig. 4 High Level Output Current vs. Temperature**

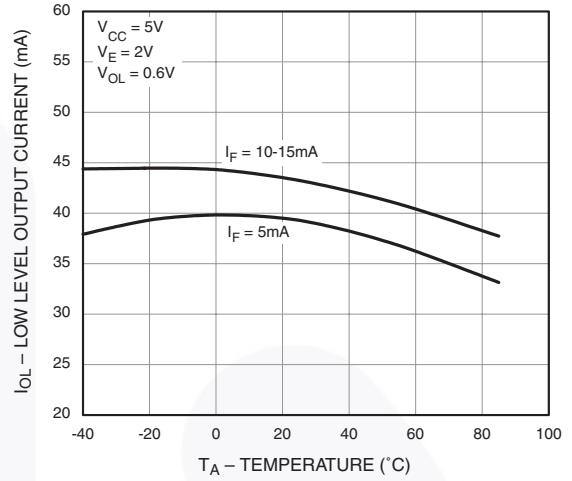


**Typical Performance Curves** (HCPL0600, HCPL0601 and HCPL0611 only)

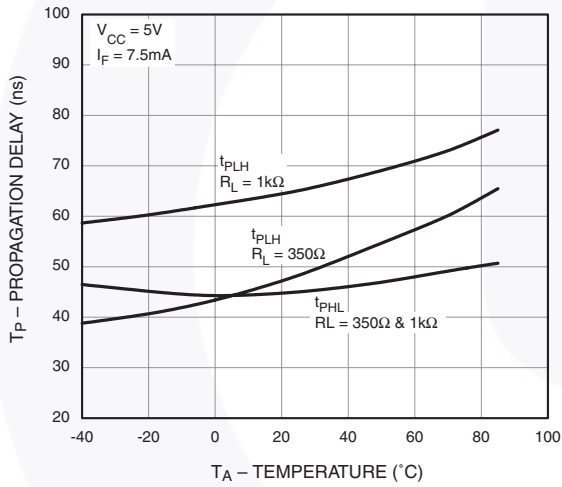
**Fig. 5 Low Level Output Voltage vs. Temperature**



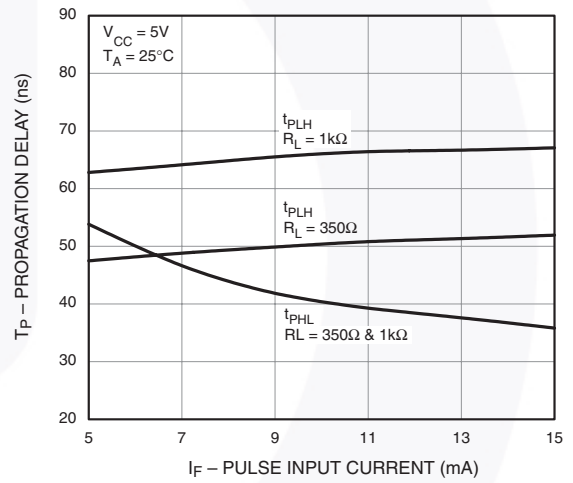
**Fig. 6 Low Level Output Current vs. Temperature**



**Fig. 7 Propagation Delay vs. Temperature**

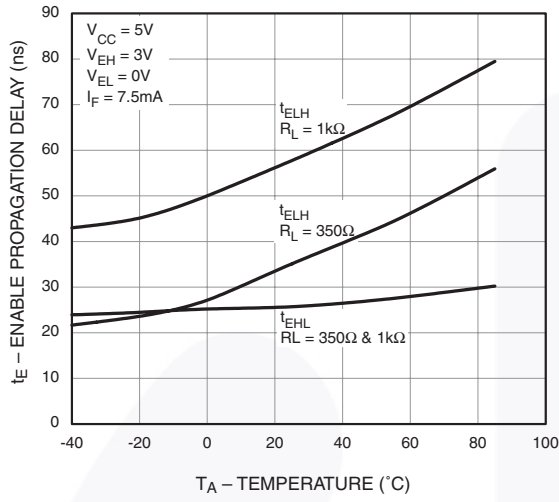


**Fig. 8 Propagation Delay vs. Pulse Input Current**

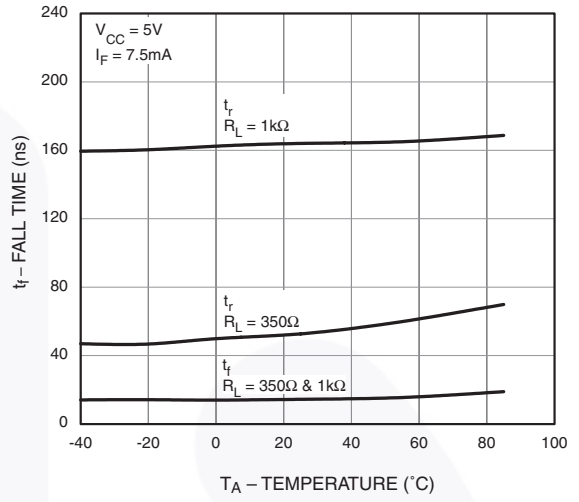


**Typical Performance Curves** (HCPL0600, HCPL0601 and HCPL0611 only)

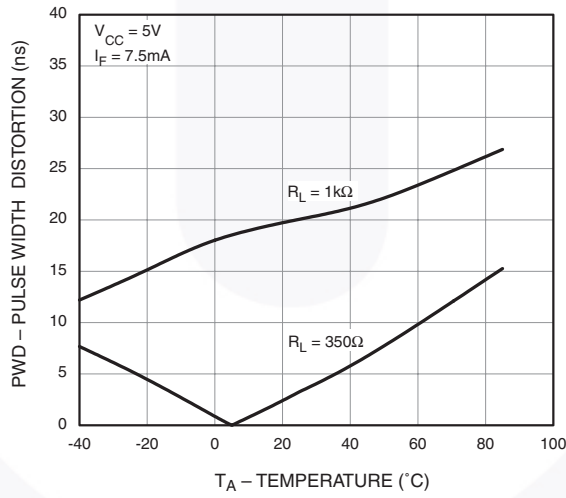
**Fig. 9 Typical Enable Propagation Delay vs. Temperature**



**Fig. 10 Typical Rise and Fall Time vs. Temperature**



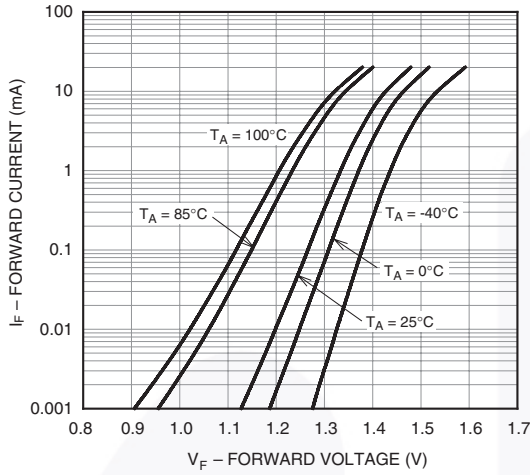
**Fig. 11 Typical Pulse Width Distortion vs. Temperature**



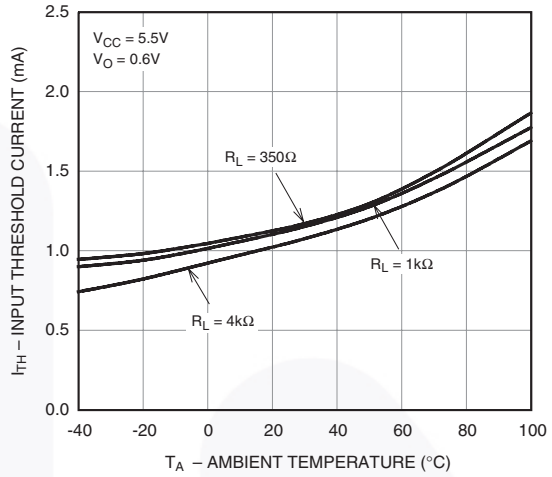


**Typical Performance Curves** (HCPL0637, HCPL0638 and HCPL0639 only)

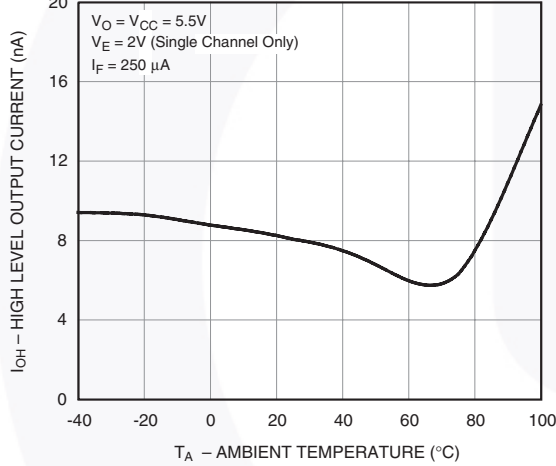
**Fig. 12 Input Forward Current vs. Forward Voltage**



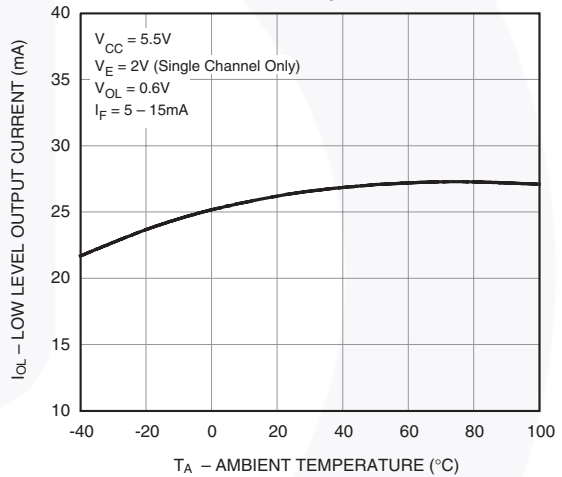
**Fig. 13 Input Threshold Current vs. Ambient Temperature**



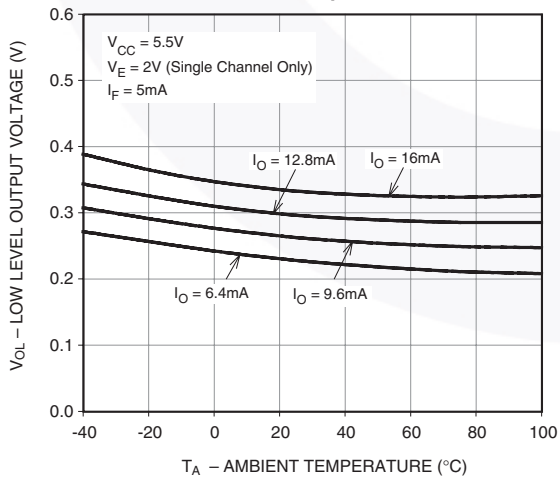
**Fig. 14 High Level Output Current vs. Ambient Temperature**



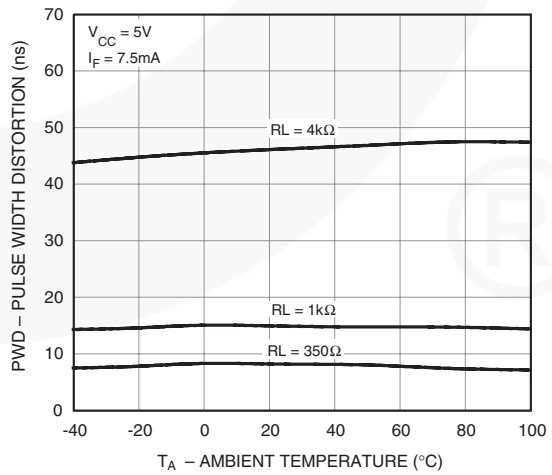
**Fig. 15 Low Level Output Current vs. Ambient Temperature**



**Fig. 16 Low Level Output Voltage vs. Ambient Temperature**

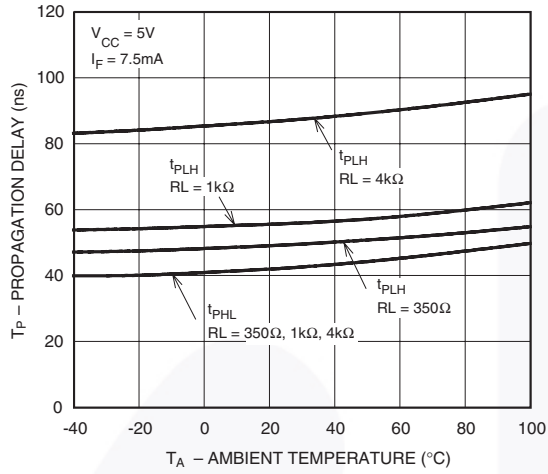


**Fig. 17 Pulse Width Distortion vs. Ambient Temperature**

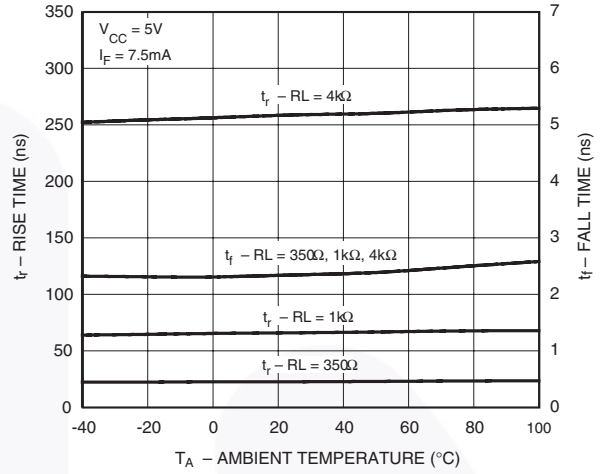


**Typical Performance Curves** (HCPL0637, HCPL0638 and HCPL0639 only)

**Fig. 18 Propagation Delay vs. Ambient Temperature**



**Fig. 19 Rise and Fall Times vs. Ambient Temperature**



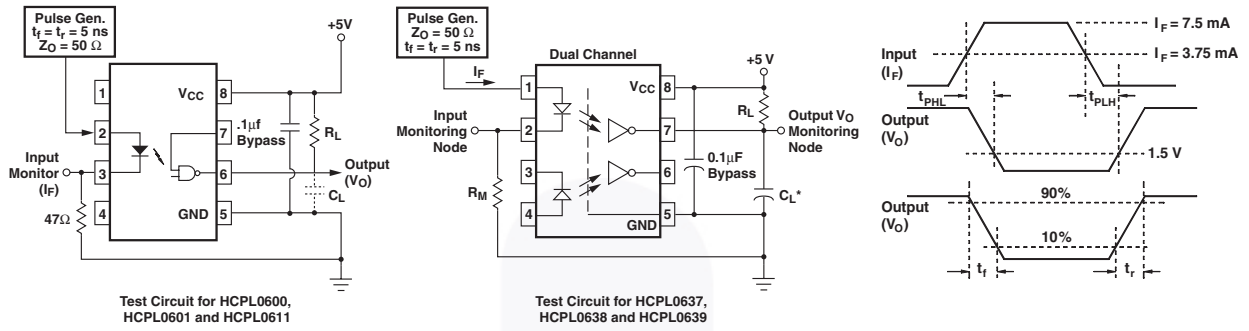


Fig. 20 Test Circuit and Waveforms for  $t_{PLH}$ ,  $t_{PHL}$ ,  $t_r$  and  $t_f$ .

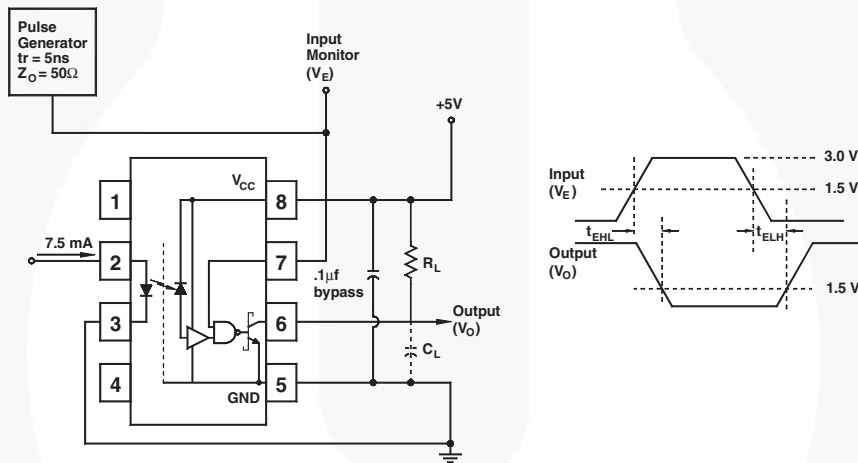
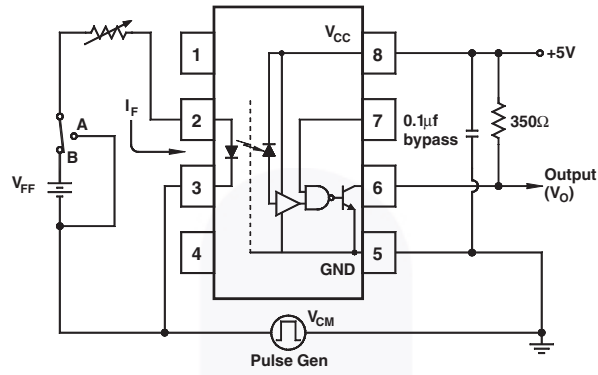


Fig. 21 Test Circuit  $t_{EHL}$  and  $t_{ELH}$ .



Test Circuit for HCPL0600, HCPL0601, and HCPL0611

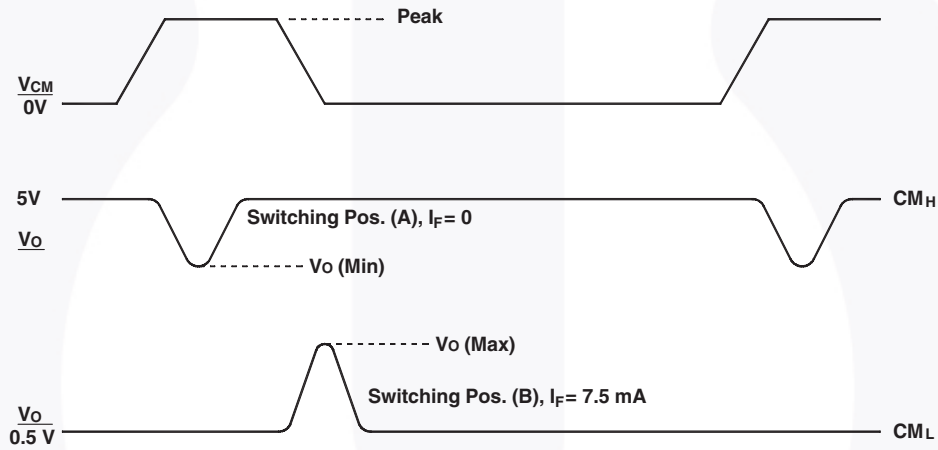
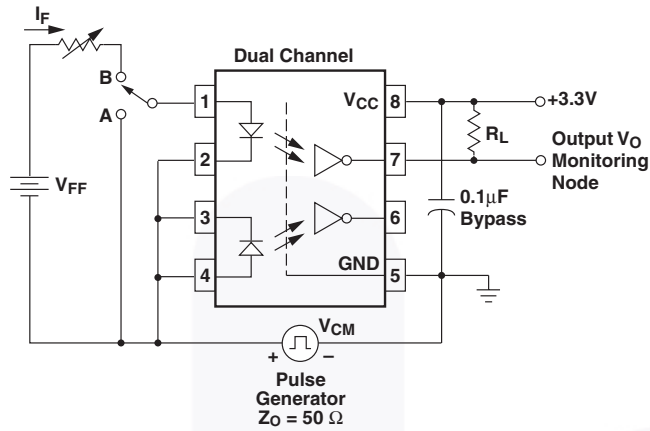


Fig. 22 Test Circuit Common Mode Transient Immunity (HCPL0600, HCPL0601 and HCPL0611)



Test Circuit for HCPL0637, HCPL0638 and HCPL0639

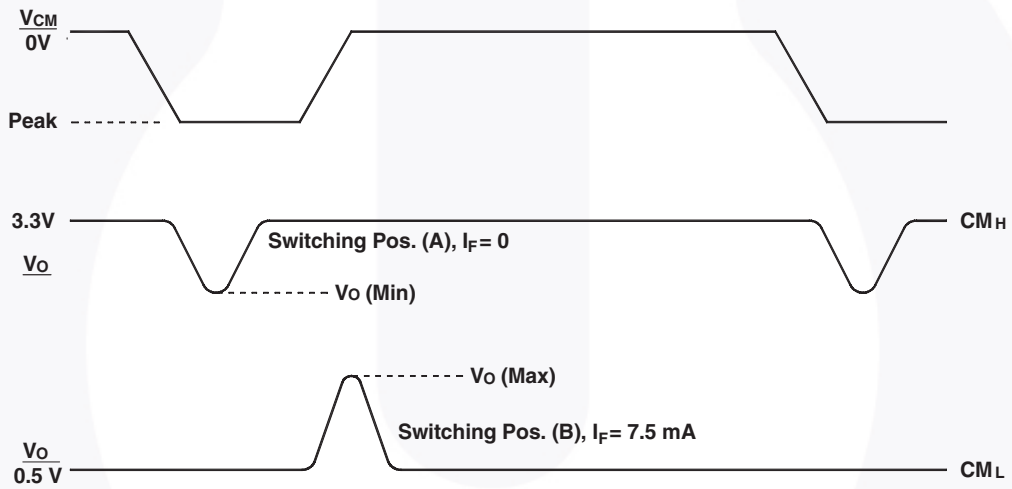
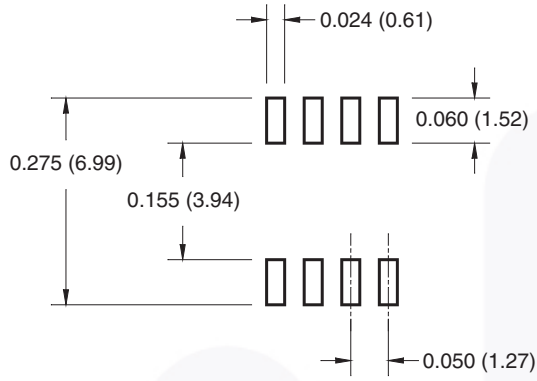


Fig. 23 Test Circuit Common Mode Transient Immunity (HCPL0637, HCPL0638 and HCPL0639)

### 8-Pin Small Outline

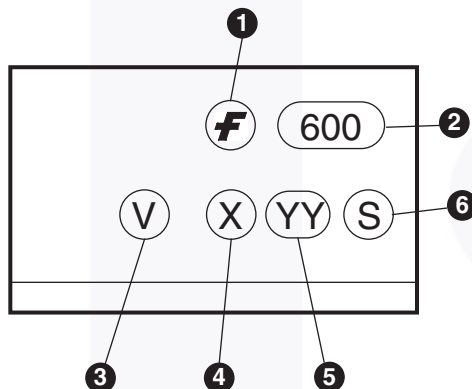


## Ordering Information

Option	Order Entry Identifier	Description
No Suffix	HCPL0600	Shipped in tubes (50 units per tube)
V*	HCPL0600V	IEC60747-5-2 approval
R2	HCPL0600R2	Tape and Reel (2500 units per reel)
R2V*	HCPL0600R2V	IEC60747-5-2 approval, Tape and Reel (2500 units per reel)

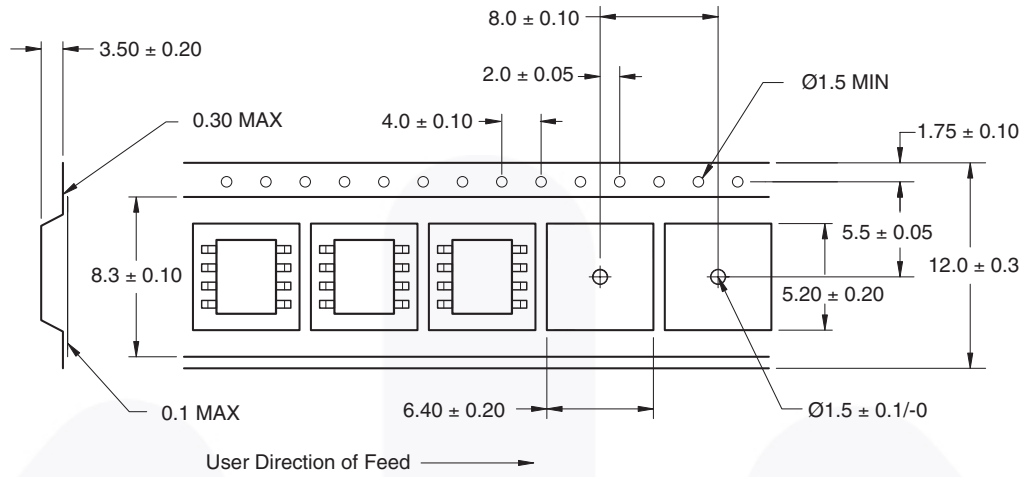
\*Available for HCPL0600, HCPL0601, HCPL0611 only.

## Marking Information



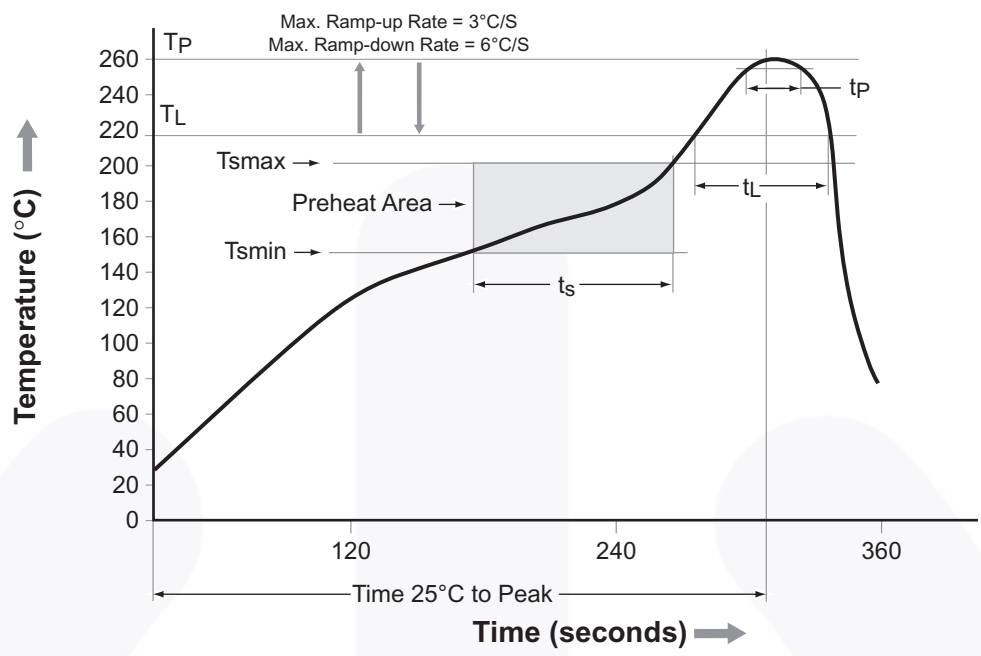
Definitions	
1	Fairchild logo
2	Device number
3	VDE mark indicates IEC60747-5-2 approval (Note: Only appears on parts ordered with VDE option – See order entry table)
4	One digit year code, e.g., '3'
5	Two digit work week ranging from '01' to '53'
6	Assembly package code

### Carrier Tape Specifications





## Reflow Profile



Profile Feature	Pb-Free Assembly Profile
Temperature Min. (Tsmín)	150°C
Temperature Max. (Tsmáx)	200°C
Time (ts) from (Tsmín to Tsmáx)	60–120 seconds
Ramp-up Rate (tL to tp)	3°C/second max.
Liquidous Temperature (TL)	217°C
Time (tL) Maintained Above (TL)	60–150 seconds
Peak Body Package Temperature	260°C +0°C / -5°C
Time (tp) within 5°C of 260°C	30 seconds
Ramp-down Rate (TP to TL)	6°C/second max.
Time 25°C to Peak Temperature	8 minutes max.



NOTES:

- A) NO STANDARD APPLIES TO THIS PACKAGE
- B) ALL DIMENSIONS ARE IN MILLIMETERS.
- C) DIMENSIONS DO NOT INCLUDE MOLD FLASH OR BURRS.
- D) LANDPATTERN STANDARD: SOIC127P600X175-8M.
- E) DRAWING FILENAME: MKT-M08Erev5





**TRADEMARKS**

The following includes registered and unregistered trademarks and service marks, owned by Fairchild Semiconductor and/or its global subsidiaries, and is not intended to be an exhaustive list of all such trademarks.

- AccuPower™
- AttitudeEngine™
- Awinda®
- AX-CAP®\*
- BitSiC™
- Build it Now™
- CorePLUS™
- CorePOWER™
- CROSSVOL™
- CTL™
- Current Transfer Logic™
- DEUXPEED®
- Dual Cool™
- EcoSPARK®
- EfficientMax™
- ESBC™
- F**™
- Fairchild®
- Fairchild Semiconductor®
- FACT Quiet Series™
- FACT®
- FastvCore™
- FETBench™
- FPS™
- F-PFS™
- FRFET®
- Global Power Resource<sup>SM</sup>
- GreenBridge™
- Green FPS™
- Green FPS™ e-Series™
- Gmax™
- GTO™
- IntelliMAX™
- ISOPLANAR™
- Making Small Speakers Sound Louder and Better™
- MegaBuck™
- MICROCOUPLER™
- MicroFET™
- MicroPak™
- MicroPak2™
- MillerDrive™
- MotionMax™
- MotionGrid®
- MTi®
- MTx®
- MVN®
- mWSaver®
- OptoHiT™
- OPTOLOGIC®
- OPTOPLANAR®
- ®
- Power Supply WebDesigner™
- PowerTrench®
- PowerXS™
- Programmable Active Droop™
- QFET®
- QS™
- Quiet Series™
- RapidConfigure™
- ™
- Saving our world, 1mW/W/kW at a time™
- SignalWise™
- SmartMax™
- SMART START™
- Solutions for Your Success™
- SPM®
- STEALTH™
- SuperFET®
- SuperSOT™-3
- SuperSOT™-6
- SuperSOT™-8
- SupreMOS®
- SyncFET™
- Sync-Lock™
- ®
- TinyBoost®
- TinyBuck®
- TinyCalc™
- TinyLogic®
- TINYOPTO™
- TinyPower™
- TinyPWM™
- TinyWire™
- TranSiC™
- TriFault Detect™
- TRUECURRENT®\*
- μSerDes™
- ™
- UHC®
- Ultra FRFET™
- UniFET™
- VCX™
- VisualMax™
- VoltagePlus™
- XS™
- Xsens™
- 仙童®

\* Trademarks of System General Corporation, used under license by Fairchild Semiconductor.

**DISCLAIMER**

FAIRCHILD SEMICONDUCTOR RESERVES THE RIGHT TO MAKE CHANGES WITHOUT FURTHER NOTICE TO ANY PRODUCTS HEREIN TO IMPROVE RELIABILITY, FUNCTION, OR DESIGN. TO OBTAIN THE LATEST, MOST UP-TO-DATE DATASHEET AND PRODUCT INFORMATION, VISIT OUR WEBSITE AT [HTTP://WWW.FAIRCHILDSEMI.COM](http://www.fairchildsemi.com). FAIRCHILD DOES NOT ASSUME ANY LIABILITY ARISING OUT OF THE APPLICATION OR USE OF ANY PRODUCT OR CIRCUIT DESCRIBED HEREIN; NEITHER DOES IT CONVEY ANY LICENSE UNDER ITS PATENT RIGHTS, NOR THE RIGHTS OF OTHERS. THESE SPECIFICATIONS DO NOT EXPAND THE TERMS OF FAIRCHILD'S WORLDWIDE TERMS AND CONDITIONS, SPECIFICALLY THE WARRANTY THEREIN, WHICH COVERS THESE PRODUCTS.

**AUTHORIZED USE**

Unless otherwise specified in this data sheet, this product is a standard commercial product and is not intended for use in applications that require extraordinary levels of quality and reliability. This product may not be used in the following applications, unless specifically approved in writing by a Fairchild officer: (1) automotive or other transportation, (2) military/aerospace, (3) any safety critical application – including life critical medical equipment – where the failure of the Fairchild product reasonably would be expected to result in personal injury, death or property damage. Customer's use of this product is subject to agreement of this Authorized Use policy. In the event of an unauthorized use of Fairchild's product, Fairchild accepts no liability in the event of product failure. In other respects, this product shall be subject to Fairchild's Worldwide Terms and Conditions of Sale, unless a separate agreement has been signed by both Parties.

**ANTI-COUNTERFEITING POLICY**

Fairchild Semiconductor Corporation's Anti-Counterfeiting Policy. Fairchild's Anti-Counterfeiting Policy is also stated on our external website, [www.fairchildsemi.com](http://www.fairchildsemi.com), under Terms of Use

Counterfeiting of semiconductor parts is a growing problem in the industry. All manufacturers of semiconductor products are experiencing counterfeiting of their parts. Customers who inadvertently purchase counterfeit parts experience many problems such as loss of brand reputation, substandard performance, failed applications, and increased cost of production and manufacturing delays. Fairchild is taking strong measures to protect ourselves and our customers from the proliferation of counterfeit parts. Fairchild strongly encourages customers to purchase Fairchild parts either directly from Fairchild or from Authorized Fairchild Distributors who are listed by country on our web page cited above. Products customers buy either from Fairchild directly or from Authorized Fairchild Distributors are genuine parts, have full traceability, meet Fairchild's quality standards for handling and storage and provide access to Fairchild's full range of up-to-date technical and product information. Fairchild and our Authorized Distributors will stand behind all warranties and will appropriately address any warranty issues that may arise. Fairchild will not provide any warranty coverage or other assistance for parts bought from Unauthorized Sources. Fairchild is committed to combat this global problem and encourage our customers to do their part in stopping this practice by buying direct or from authorized distributors.

**PRODUCT STATUS DEFINITIONS**

**Definition of Terms**

Datasheet Identification	Product Status	Definition
Advance Information	Formative / In Design	Datasheet contains the design specifications for product development. Specifications may change in any manner without notice.
Preliminary	First Production	Datasheet contains preliminary data; supplementary data will be published at a later date. Fairchild Semiconductor reserves the right to make changes at any time without notice to improve design.
No Identification Needed	Full Production	Datasheet contains final specifications. Fairchild Semiconductor reserves the right to make changes at any time without notice to improve the design.
Obsolete	Not In Production	Datasheet contains specifications on a product that is discontinued by Fairchild Semiconductor. The datasheet is for reference information only.

Rev. I77