



Hovedkarakteristikk

Produktspekter	Harmony XB5
Produkt eller komponent type	Hode for lystrykknapper
Kallenavn på utstyr	ZB5
Produktkompatibilitet	BA 9s
Innfatningsmateriale	Plast
Montasjediameter	22 mm
Salg per udelelig kvantitet	1
Formen på varslingsenhetens hode	Rund
Type arm/stempel	Fjærretur
Operatørprofil	Hvit innfelt umerket
Knappens tilleggs info.	Med vanlig deksel

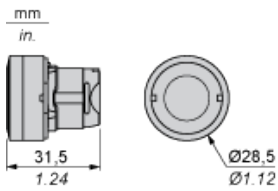
Alternativer

Bredde	29 mm
Høyde	29 mm
Dybde	32 mm
Vekt	0.018 kg
Resistens til høytrykksvask	7000000 Pa på 55 °C,avstand: 0.1 m
Mechanical durability	5000000 sykluser
Stasjonsnavn	XALD 1...5 hull XALK 2...5 hull
Elektrisk sammensetningskode	M7 for <= 6 kontakter bruker Enkel blokker i frontmontering med BA 9s M8 for <= 6 kontakter bruker enkel og dobbel blokker i frontmontering med BA 9s M9 for <= 2 kontakter bruker Enkel blokker i frontmontering med BA 9s og transformator MF2 for <= 2 kontakter bruker Enkel blokker i frontmontering med BA 9s

Miljø

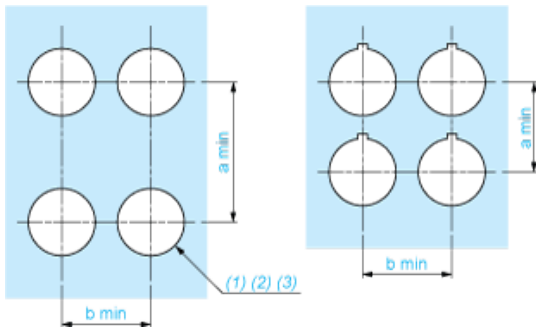
protective treatment	TC
omgivelsestemperatur for oppbevaring	-40...70 °C
ambefalt temperatur ved drift	-25...70 °C
beskyttelsesgrad mot elektrisk støt	Klasse II i henhold til IEC 60536
IP-grad	IP66 i henhold til IEC 60529
NEMA beskyttelsesgrad	NEMA 13 NEMA 4X
IK beskyttelsesklasse	IK05 i henhold til EN 50102
standarder	EN/IEC 60947-1 EN/IEC 60947-5-1 EN/IEC 60947-5-4 JIS C 4520 UL 508 GB 14048.5 CSA C22.2 No 14
produktsertifikater	BV CSA DNV GL LROS (Lloyds register of shipping) RINA UL listet
Vibrasjonsmotstand	5 gn (f = 2...500 Hz) i henhold til IEC 60068-2-6
støtmotstand	30 gn (varighet = 18 ms) for halvsinusurve akselerasjon i henhold til IEC 60068-2-27

Dimensions



Panel Cut-out for Pushbuttons, Switches and Pilot Lights (Finished Holes, Ready for Installation)

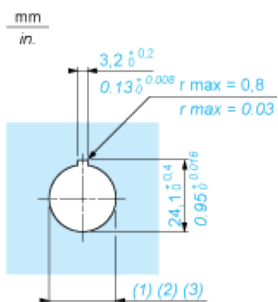
Connection by Screw Clamp Terminals or Plug-in Connectors or on Printed Circuit Board



- (1) Diameter on finished panel or support
- (2) For selector switches and Emergency stop buttons, use of an anti-rotation plate type ZB5AZ902 is recommended.
- (3) Ø22.5 mm recommended ($\text{Ø}22.3 \text{ }_0^{+0.4}$) / Ø0.89 in. recommended ($\text{Ø}0.88 \text{ in. }_0^{+0.016}$)

Connections	a in mm	a in in.	b in mm	b in in.
By screw clamp terminals or plug-in connector	40	1.57	30	1.18
By Faston connectors	45	1.77	32	1.26
On printed circuit board	30	1.18	30	1.18

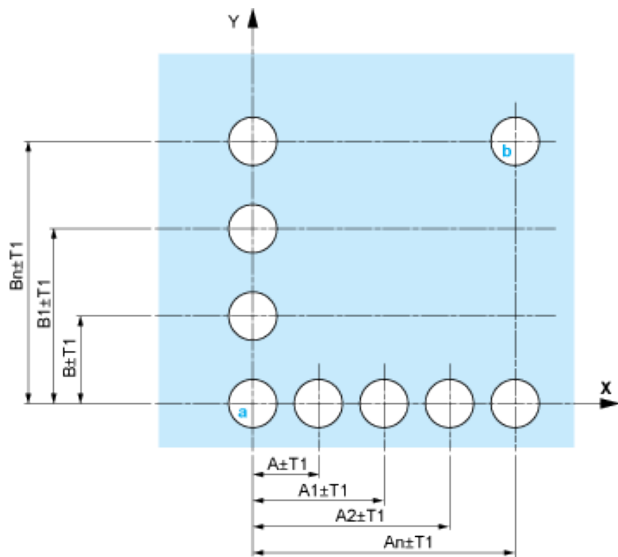
Detail of Lug Recess



- (1) Diameter on finished panel or support
- (2) For selector switches and Emergency stop buttons, use of an anti-rotation plate type ZB5AZ902 is recommended.
- (3) Ø22.5 mm recommended ($\text{Ø}22.3 \text{ }_0^{+0.4}$) / Ø0.89 in. recommended ($\text{Ø}0.88 \text{ in. }_0^{+0.016}$)

Pushbuttons, Switches and Pilot Lights for Printed Circuit Board Connection

Panel Cut-outs (Viewed from Installer's Side)

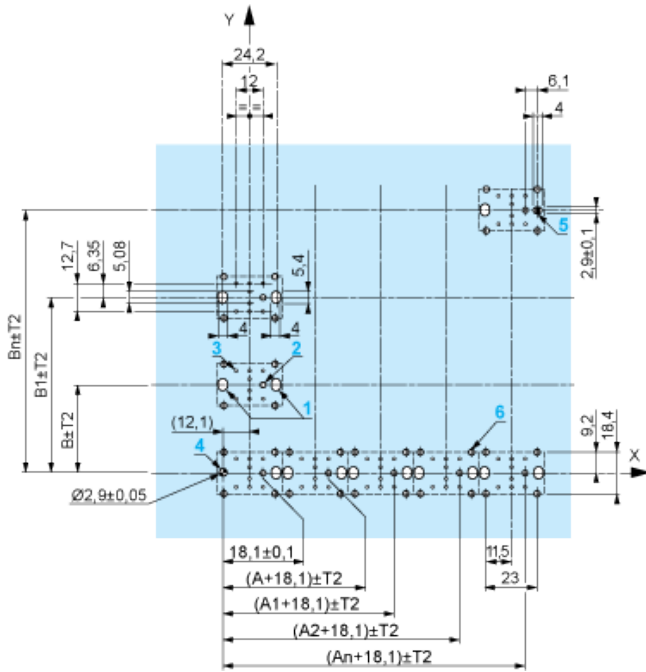


A: 30 mm min. / 1.18 in. min.

B: 40 mm min. / 1.57 in. min.

Printed Circuit Board Cut-outs (Viewed from Electrical Block Side)

Dimensions in mm



A: 30 mm min.

B: 40 mm min.

Dimensions in in.

- 5 1 elongated hole for aligning the printed circuit board (with cut-out marked **b**)
- 6 4 holes \varnothing 2.4 mm / 0.09 in. for clipping in adapter ZBZ01•

Dimensions An + 18.1 relate to the \varnothing 2.4 mm \pm 0.05 / 0.09 in. \pm 0.002 holes for centring adapter ZBZ01•.

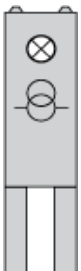
Electrical Composition Corresponding to Codes M1 and M7



Electrical Composition Corresponding to Codes M2 and M8



Electrical Composition Corresponding to Code M9



Electrical Composition Corresponding to Codes M5, M10, MF1, MR1 and MF2



Legend

Single contact



Double contact



Light block



Possible location

