



### Features:

- 5W Small Compact Size
- Input: 90V to 264V 50/60Hz
- Dual Output - Regulated
- Output Range: 3.3V - 24VDC
- Low Standby Power <0.3W
- Fully Isolated Pri - Sec >4200Vrms
- Insulation: Class II
- Materials: UL94-V0
- Safety: EN61558, EN60950, CE

Part Number	Power Rating Watts	Output 1 Voltage (VDC)	Output 1 Current (mA)	Output 2 Voltage (VDC)	Output 2 Current (mA)	Ambient Temp. (°C)	Efficiency Typical	Input Range
VTX-214-005-403	4.2	3.3	757	3.3	757	50	>70%	90 - 264VAC (100 - 370VDC)
VTX-214-005-405	5	5	500	5	500			
VTX-214-005-406	5	6	416	6	416			
VTX-214-005-407	5	7.5	333	7.5	333			
VTX-214-005-408	5	8	277	8	277			
VTX-214-005-409	5	9	250	9	250			
VTX-214-005-410	5	10	208	10	208			
VTX-214-005-412	5	12	166	12	166			
VTX-214-005-415	5	15	138	15	138			
VTX-214-005-418	5	18	125	18	125			
VTX-214-005-424	5	24	100	24	100			
VTX-214-005-0305	5	3.3	757	5	500			
VTX-214-005-0312	5	3.3	757	12	208			
VTX-214-005-0315	5	3.3	757	15	160			
VTX-214-005-0324	5	3.3	757	24	100			
VTX-214-005-0503	5	5	500	3.3	757			
VTX-214-005-0512	5	5	500	12	208			
VTX-214-005-0515	5	5	500	15	160			
VTX-214-005-0524	5	5	500	24	100			
VTX-214-005-1203	5	12	200	3.3	757			
VTX-214-005-1205	5	12	200	5	500			
VTX-214-005-1512	5	15	160	12	200			

**Note: Other output voltages are available upon request.**

Please contact Vigortronix for any enquiries. Products can be altered to suit custom requirements.  
The information contained in this document is subject to change without notice.

Vigortronix, 16 De Havilland Way, Witney, Oxfordshire, OX29 0YG, UK

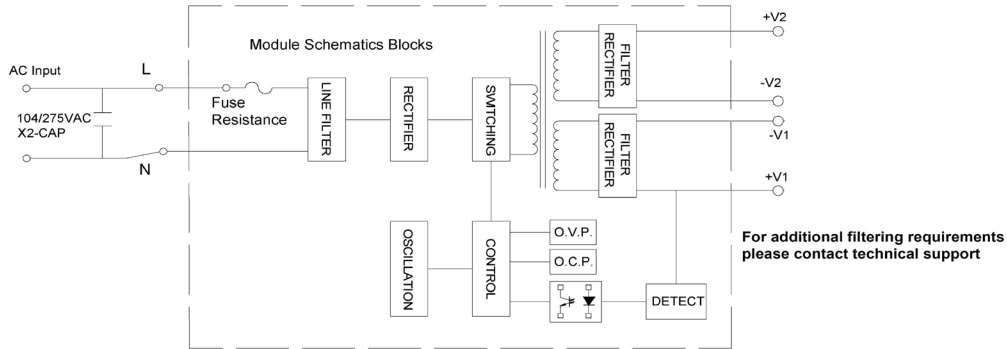
Tel. +44 (0)1993 777570 Fax. +44 (0)1993 777580 Web. www.vigortronix.com E-mail: sales@vigortronix.com

Vigortronix is a trading name of Vigortronix (UK) Limited

Model: 5 Watt Dual		Specification
<b>INPUT</b> Pin 1: L Pin 2: N	Rated Input Voltage	100 - 240V 50/60Hz
	Voltage Range	90 - 264VAC / 47 - 63Hz (120VDC - 370VDC)
	Current	60mA Max (100VAC) / 35mA Max (240VAC)
	Inrush Current	15A Max (100VAC) / 25A Max (240VAC)
	No Load power	0.3W Max
	Leakage Current	0.25mA Max
<b>OUTPUT</b> Pin 4: V1+ Pin 3: V1- Pin 6: V2+ Pin 5: V2-	Voltage 1 Accuracy	<5%
	Voltage 2 Accuracy	<7%
	Minimum Load	0
	Ripple	<5% V Max (Vp-p)
	Noise	<1% Vout Max (Vp-p)
	Efficiency	>70%
	Hold Up Time	10mS Min.
<b>Protection</b>	Over Power	Hiccup mode
	Over Voltage	Hiccup mode
	Short Circuit Protection	Hiccup mode
<b>Dielectric Isolation</b>	Input to Output	3600Vrms, 5mA 1 Min (4200Vrms, 5mA 2Sec)
	Output 1 to Output 2	>1000Vrms, 5mA 1 Min
<b>Environment</b>	Operating Temperature	-40°C - +70°C (Full Load)
	Storage Temperature	-40°C - +105°C
	Humidity	20 - 95% RH
	<b>MTBF</b>	>300,000Hrs @ 25°C (MIL-HDBK-217F)
	Weight	30g
<b>Safety</b>	Agency Approval	EN60950-1, EN61558-1, EN61558-2-6, EN61558-2-17, TUV
<b>EMC</b>	EMI	Compliance with EN55022 Class B
	EMS	Compliance with EN55024, EN55014-1, EN55014-2, EN61000-3-2 Class A, EN61000-3-3

Please contact Vigortronix for any enquiries. Products can be altered to suit custom requirements.  
 The information contained in this document is subject to change without notice.

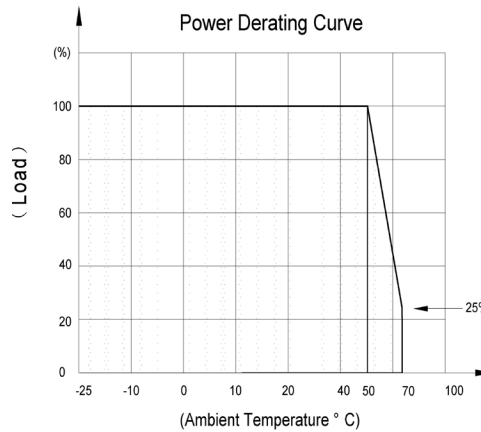
## Recommended Application Schematic for EMC



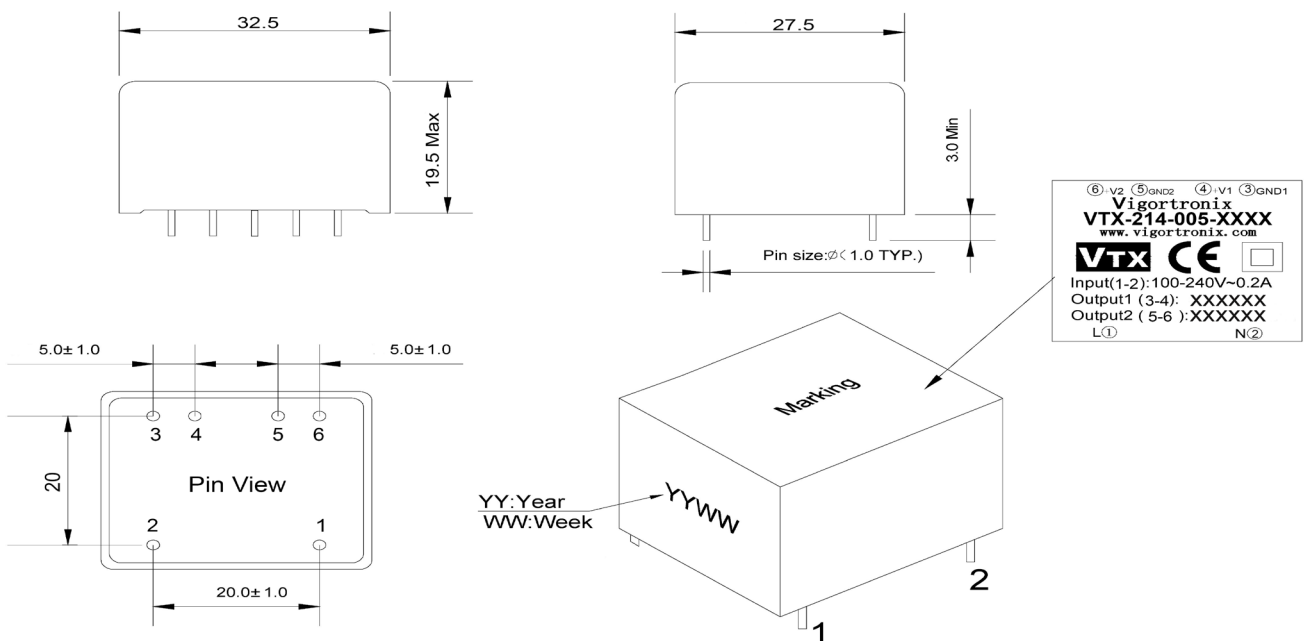
### Notes:

If Surge protection is required it is recommended to fit a Varistor, similar to 14D431K

## Derating Graph



## Dimensions



Please contact Vigortronix for any enquiries. Products can be altered to suit custom requirements.  
The information contained in this document is subject to change without notice.

Vigortronix, 16 De Havilland Way, Witney, Oxfordshire, OX29 0YG, UK

Tel. +44 (0)1993 777570 Fax. +44 (0)1993 777580 Web. www.vigortronix.com E-mail: sales@vigortronix.com

Vigortronix is a trading name of Vigortronix (UK) Limited