

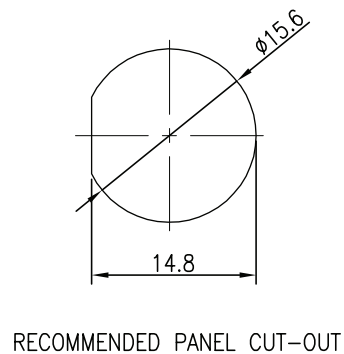
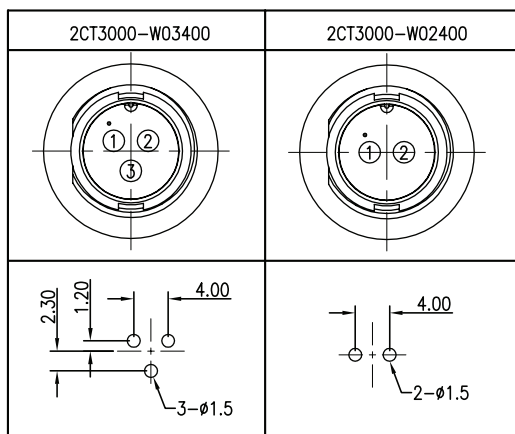
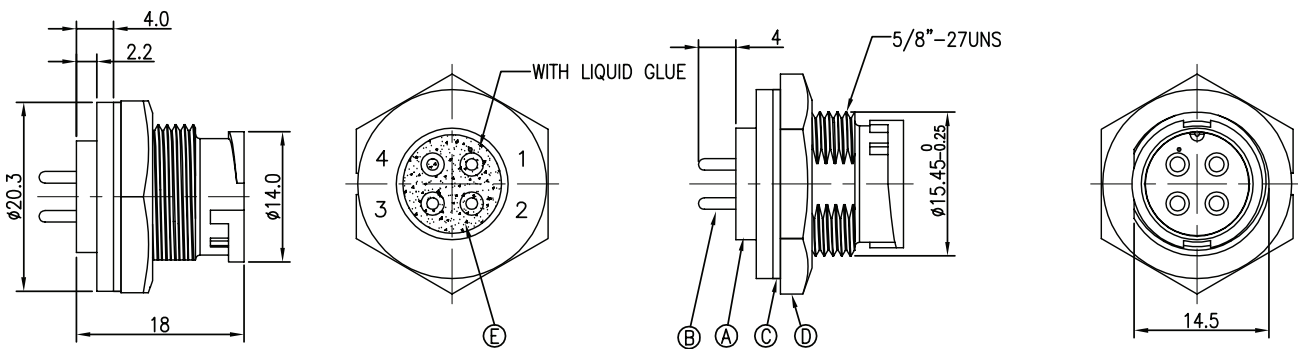
# Panel Mount PCB/Solder Connector Male Connector



## Specifications:



Mating Style	: Lock Type
Contact Gender	: Male pin
Material Contact	: Copper Alloy, Gold Plated
Material Connector Body	: Nylon+GF, PBT
Panel Thickness	: 4mm Max.
Contact Resistance	: $\leq 30m\Omega$ (without cable)
Insulation Resistance	: $\geq 100M\Omega$ at DC 500V
Durability	: 500 cycles Min.
Breakdown Voltage	: $\geq AC 500V/1$ minute
Corrosion	: 48 hours salt spray contact
Temperature Range	: $-40^{\circ}C$ to $+100^{\circ}C$
Current Rating	: 10A
Dielectric Withstanding Voltage	: 1,000V AC for one minute
Waterproof Rate	: IP67 (IP67: Immersed in 1m water for 30 minutes)



Dimensions : Millimetres



# Panel Mount PCB/Solder Connector Male Connector



No.	Description	Material	Plating & Colour	Qty
A	Body	Nylon+GF	Black	1
B	Male Pin	Brass	6 $\mu$ " Gold Plated Over Nickel Plating	-
C	Gasket	EPDM	Black	1
D	Nut	Nylon+GF		
E	Liquid Glue	N/A		

## Part Number Table

Description	Part Number
RECPT., Panel, PCB, 10A, 2 Way, Pin	2CT3000-W02400
RECPT., Panel, PCB, 10A, 3 Way, Pin	2CT3000-W03400

**Important Notice** : This data sheet and its contents (the "Information") belong to the members of the Premier Farnell group of companies (the "Group") or are licensed to it. No licence is granted for the use of it other than for information purposes in connection with the products to which it relates. No licence of any intellectual property rights is granted. The Information is subject to change without notice and replaces all data sheets previously supplied. The Information supplied is believed to be accurate but the Group assumes no responsibility for its accuracy or completeness, any error in or omission from it or for any use made of it. Users of this data sheet should check for themselves the Information and the suitability of the products for their purpose and not make any assumptions based on information included or omitted. Liability for loss or damage resulting from any reliance on the Information or use of it (including liability resulting from negligence or where the Group was aware of the possibility of such loss or damage arising) is excluded. This will not operate to limit or restrict the Group's liability for death or personal injury resulting from its negligence. Multicomp is the registered trademark of the Group. © Premier Farnell plc 2012.

[www.element14.com](http://www.element14.com)  
[www.farnell.com](http://www.farnell.com)  
[www.newark.com](http://www.newark.com)

