



DATA SHEET	53112888
SKINTOP® CLICK BS	valid from : 30.11.2015

The polyamide-based SKINTOP® CLICK BS with its snap-system and bending protection enables a very fast and easy assembly and the integral locking features guarantees permanent vibration resistance. It is designed for use, above all for particular functional safety in hand-held equipment, flexing machine parts, apparatus engineering, light and sound applications and robotics industry.



Components:

Gland body	Polyamide, V2 acc. to UL 94
Cap nut with protecting spiral	Polyamide, V2 acc. to UL 94
Sealing ring	Elastomer
Pressure nut	Polyamide, fibre-glass reinforced, V2 acc. to UL 94
Sealing flat washer (for sizes Ø 12, Ø 16, Ø 20, Ø 25)	Elastomer
O-ring (for size Ø 32)	NBR

Technical features:

Nominal sizes	Ø 12, Ø 16, Ø 20, Ø 25, Ø 32
Functional thread	Multi-start trapezoidal thread
Protection class	Sizes Ø 16, Ø 20, Ø 25, Ø 32: IP68 - 5 bar, test acc. to EN 60529 Size Ø 12: IP68 - 4 bar, test acc. to EN 60529
Temperature range	-20 °C up to +100 °C
Colour	RAL 7001 silver grey RAL 7035 light grey RAL 9005 black (UV-resistant in accordance to ISO 4892-2:2006, method A)

Approvals:



File Nr. E 79903

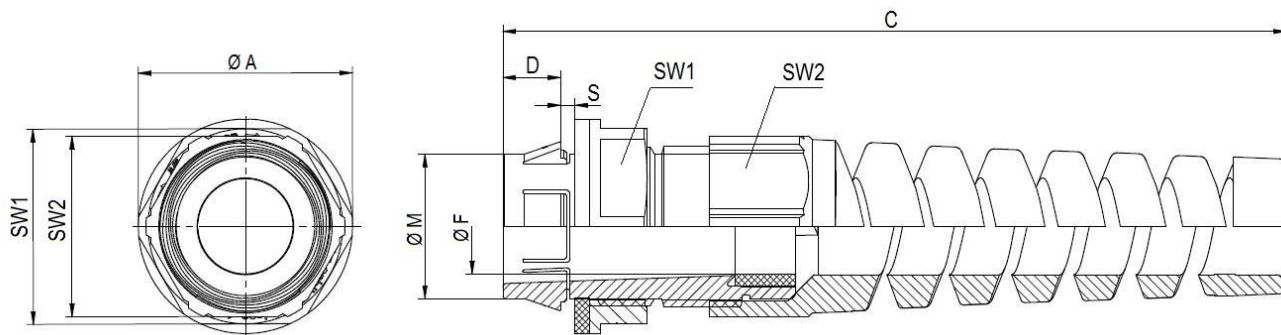
Norm references:



For more information please see our current catalogue.

elaborated by: PDP: T. Dvouléty	Document: DB53112888_5EN	page 1 von 2
------------------------------------	--------------------------	--------------

DATA SHEET	53112888
SKINTOP® CLICK BS	valid from : 30.11.2015



Size	Ø M [mm] Installation hole	SW1 / SW2 [mm]	Ø A [mm]	C [mm]	D [mm]	Ø F [mm] Clamping range	S [mm] Wall thickness	Article No.		
								RAL 7035	RAL 7001	RAL 9005
Ø 12	Ø 12,3 _{-0,2}	18 / 15	20,0	74	8	3,5–7	1–4	53112932	53112934	53112936
Ø 16	Ø 16,3 _{-0,2}	22 / 19	24,2	94	8	5–9	1–4	53112888	53112906	53112909
Ø 20	Ø 20,3 _{-0,2}	27 / 25	29,7	108	8	7–13	1–4	53112889	53112907	53112911
Ø 25	Ø 25,3 _{-0,2}	32 / 30	35,2	127	8	9–17	1–4	53112890	53112908	53112912
Ø 32	Ø 32,3 _{-0,2}	40 / 36	44,0	156	8	11–20	1–4	53112933	53112935	53112937