

THIS DOCUMENT CONTAINS PROPRIETARY DATA OF POLARIS INDUSTRIAL ENTERPRISES, INC. NO DISCLOSURE, REPRODUCTION, OR USE OF ANY PART THERE OF MAY BE MADE EXCEPT BY WRITTEN PERMISSION.

REV.	BY	DATE	APPRVL.	P/N	JHE13-KC2-USB

ELECTRICAL SPECIFICATIONS

- APPLIED VOLTAGE-----5V D.C
- CENTER VOLTAGE-----2.5V D.C
- SUPPLY CURRENT-----6mA MAX/AXIS
- OUTPUT CURRENT-----2mA MAX/AXIS
- EFFECTIVE OUTPUT -----0V TO 5.0V DC
- OUTPUT TOLERANCE-----±2%
- LOAD RESISTANCE-----1000 OHMS MIN.

MECHANICAL

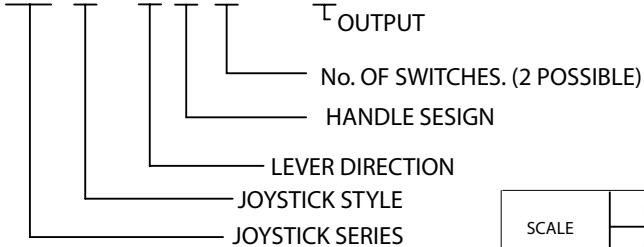
- RANGE OF OPERATING LEVER----- ±18° BI-DIRECTIONAL FROM CENTER.
- OPERATING FORCE FOR X , Y AND Z DIR.----- APPROX. 0.151Nm
- OPERATING TEMPERATURE----- -40° TO +85°C
- LIFE EXPECTANCY-----3 MILLION OPERATIONS

WIRING

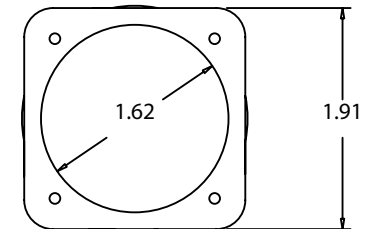
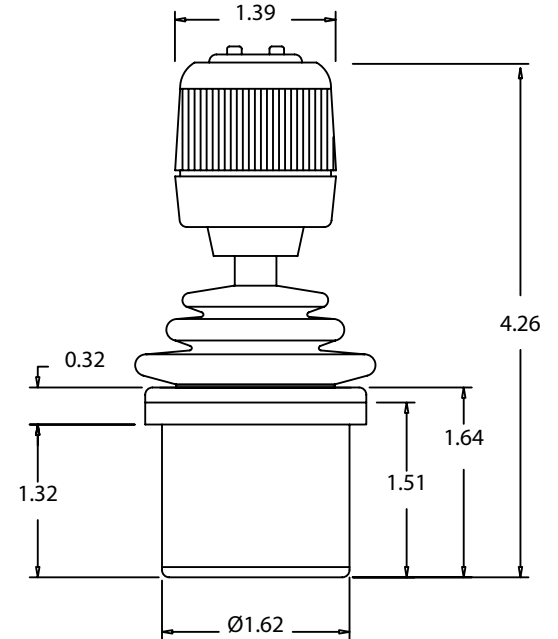
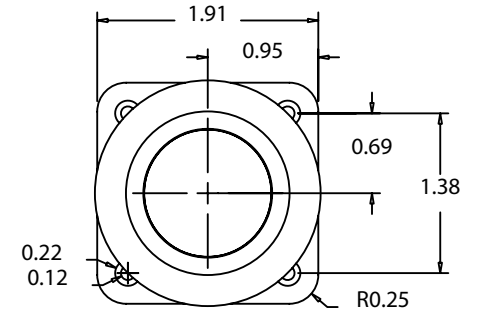
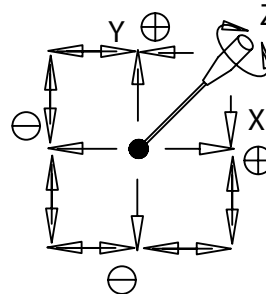
USB 1.1 4.00V - 5.25V @ 25mA MAX

NOMENCLATURE

JHE13- KC 2 - USB



"K" LEVER OPERATION



SCALE	DATE:	2-17-07
	BY	AT
NONE	APPRV'D	
CODE IDENT:		19477



ETI SYSTEMS
CARLSBAD CALIFORNIA

TITLE	PART NO.
JOYSTICK	JHE13-KC2-USB