



PCB TERMINAL BLOCKS

3.5mm Pitch Pluggable Rising Clamp Terminal Blocks

- 2-20 pole solid block
- Pluggable male-female connectors
- Closed headers
- Horizontal female plug style
- Vertical female plug style available on request
- Polarised mouldings
- Moulded in green UL94-V0 flame retardant PA
- Professional rising clamp terminals
- 0.2-1.0mm² (30-16AWG) solid & stranded cable
- Anti solder wicking
- Captive screws
- Guided pin alignment
-   approved

SPECIFICATION

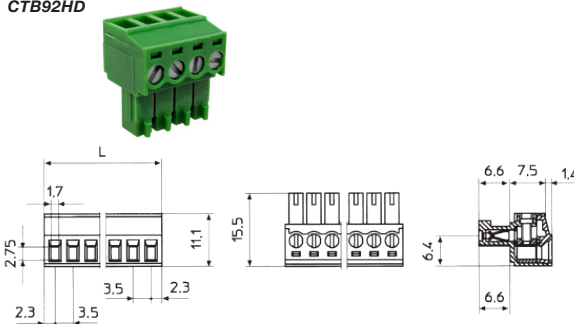
Rating	10A/200V UL=8A/300V, VDE&IMQ=10A/200V
Dielectric strength	≥2.5kV
Impulse withstand voltage	2.5kV
Working temperature	110°C
Moulding	UL94-V0 flame retardant PA
Pin/terminal	Copper alloy, NI & SN
Rising clamp	Copper alloy, NI & SN
Screw/torque	M2 steel zinc plated, 0.3Nm
Recommended PCB hole size	ø1.2mm

Female connector

TYPE NO.	POLES	LENGTH
CTB92HD/2	2	7mm
CTB92HD/3	3	10.5mm
CTB92HD/4	4	14mm
CTB92HD/5	5	17.5mm
CTB92HD/6	6	21mm
CTB92HD/7	7	24.5mm
CTB92HD/8	8	28mm
CTB92HD/9	9	31.5mm
CTB92HD/10	10	35mm
CTB92HD/11	11	38.5mm

TYPE NO.	POLES	LENGTH
CTB92HD/12	12	42mm
CTB92HD/13	13	45.5mm
CTB92HD/14	14	49mm
CTB92HD/15	15	52.5mm
CTB92HD/16	16	56mm
CTB92HD/17	17	59.5mm
CTB92HD/18	18	63mm
CTB92HD/19	19	66.5mm
CTB92HD/20	20	70mm

CTB92HD

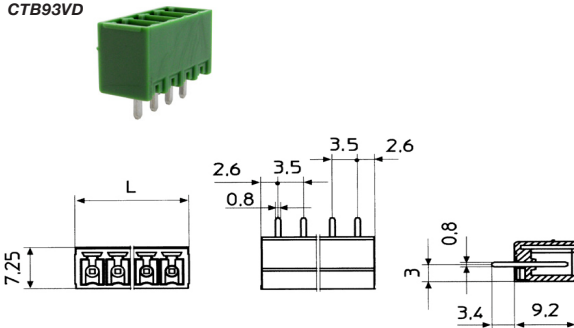


PCB mounting male vertical (closed ended)

TYPE NO.	POLES	LENGTH
CTB93VD/2	2	8.4mm
CTB93VD/3	3	11.9mm
CTB93VD/4	4	15.4mm
CTB93VD/5	5	18.9mm
CTB93VD/6	6	22.4mm
CTB93VD/7	7	25.9mm
CTB93VD/8	8	29.4mm
CTB93VD/9	9	32.9mm
CTB93VD/10	10	36.4mm
CTB93VD/11	11	39.9mm

TYPE NO.	POLES	LENGTH
CTB93VD/12	12	43.4mm
CTB93VD/13	13	46.9mm
CTB93VD/14	14	50.4mm
CTB93VD/15	15	53.9mm
CTB93VD/16	16	57.4mm
CTB93VD/17	17	60.9mm
CTB93VD/18	18	64.4mm
CTB93VD/19	19	67.9mm
CTB93VD/20	20	71.4mm

CTB93VD

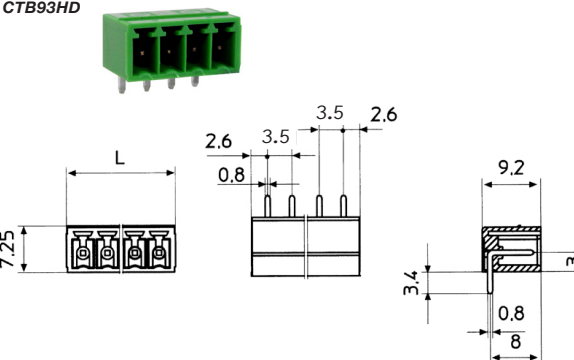


PCB mounting male horizontal (closed ended)

TYPE NO.	POLES	LENGTH
CTB93HD/2	2	8.4mm
CTB93HD/3	3	11.9mm
CTB93HD/4	4	15.4mm
CTB93HD/5	5	18.9mm
CTB93HD/6	6	22.4mm
CTB93HD/7	7	25.9mm
CTB93HD/8	8	29.4mm
CTB93HD/9	9	32.9mm
CTB93HD/10	10	36.4mm
CTB93HD/11	11	39.9mm

TYPE NO.	POLES	LENGTH
CTB93HD/12	12	43.4mm
CTB93HD/13	13	46.9mm
CTB93HD/14	14	50.4mm
CTB93HD/15	15	53.9mm
CTB93HD/16	16	57.4mm
CTB93HD/17	17	60.9mm
CTB93HD/18	18	64.4mm
CTB93HD/19	19	67.9mm
CTB93HD/20	20	71.4mm

CTB93HD



PCB
TERMINAL
BLOCKS

INTER-
CONNECTION

FUSES &
FUSE-
HOLDERS

LEDs &
INDICATORS

MINIATURE
SWITCHES

LIMIT &
SAFETY
SWITCHES

CONTROL
PRODUCTS

INTERFACE
MODULES &
SUPPORTS

RELAY
BASES

ENCLOSURES

BATTERIES

TRANS-
FORMERS

