

# LUMAWISE Z32 LED HOLDER

The TE Solderless LED Socket, Type SMIZ 1pc is a quick termination connector system for use with the Sharp Mini Zenigata LED, Lumileds, Panasonic. The one piece connector assembly features the TE poke-in wire termination for 20 & 22 AWG solid and stranded wires. This socket allows the LED to be directly attached to the heatsink using two standard (M2) screws and simplifies termination to the Mini Zenigata LED with a LED-clamp feature that retains the LED in the holder.

The overall design with its extreme low height (3mm) prevents that any light is blocked and give maximum room for secondary optics.



## Applications

- Spot Lights
- Track Lights
- Recessed Downlights
- High Bay Lights
- Retrofit Lamps
- Wall Sconces
- Street Lights
- Runway Lights
- Architectural Lighting
- Reading lamps
- Sign and symbol luminaires
- Area and object lighting

## Electrical

- Current rating: TBD (2A target) max.
- Voltage rating: 60VDC max.
- Dielectric Withstand Voltage: 500VDC
- UL approbation pending

## Mechanical

- -20 to 90° C operating temperature
- Diameter: 32mm
- Applicable wire: 20 - 22AWG solid, fused and stranded
- Mating cycles: 5 times on LED
- For use with M2 screw
- Strip length of the wires needs to be 7 mm

## Product Specifications

- Product Specification: 108-133006
- Application Specification: 114-32045
- UL1977
- Environmental Specifications: Reach and RoHs compliant

## Materials

- Terminals: LED contact interface is silver plated
- Housing: UL94VO rated

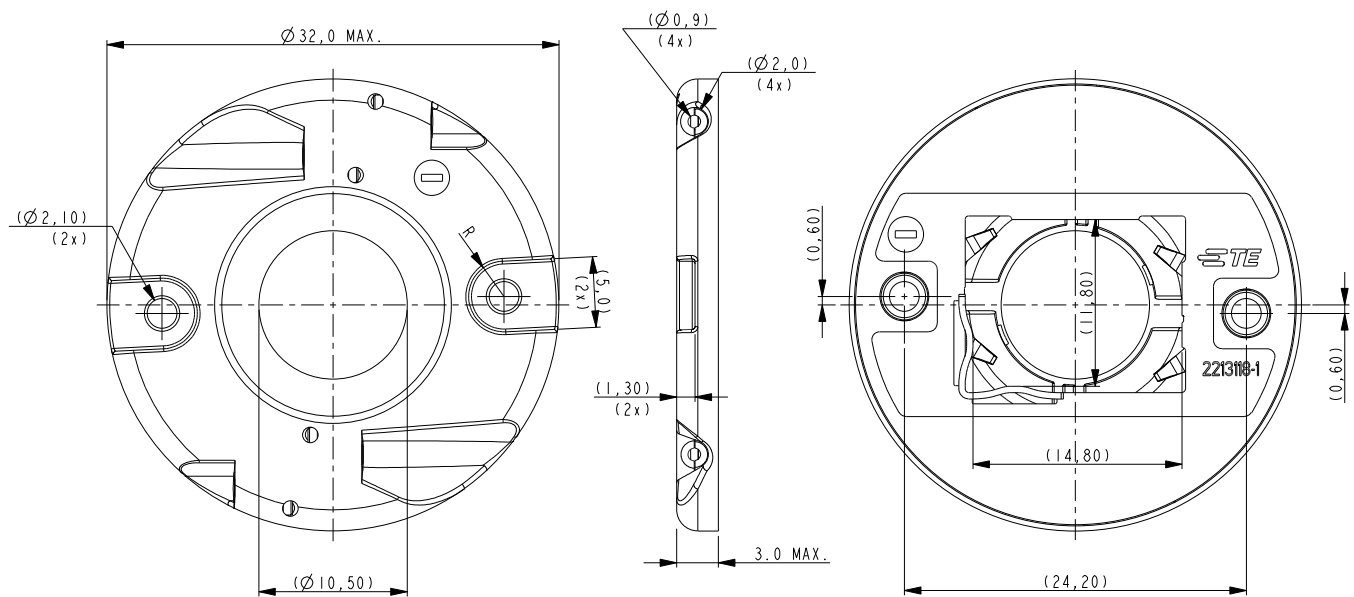
## Key Benefits

- Very small form factor 32mm diameter by 3mm high
- Reliable solderless power connection
- Secure mechanical attachment
- Tool-less termination of 20 - 22 AWG solid wire
- Stranded wire insertion feature for 20 - 22 AWG stranded wire
- Robust and visually appealing design
- Two side poke-in connection

Product Selection Information

Part Number	Description
<a href="#">2213118-1</a>	LUMAWISE LED HOLDER Z32 LOW PROFILE 1215 SHARP MINI-ZENIGATA
<a href="#">2213118-2</a>	LUMAWISE LED HOLDER Z32 LOW PROFILE 1215 LUMILEDS 1202S AND NICHIA S SERIES

Dimensions



te.com

© 2016 TE Connectivity Ltd. Family of Companies. All Rights Reserved. Lumawise, TE, TE Connectivity, and the TE connectivity (logo) are trademarks of the TE Connectivity Ltd. family of companies. Other logos, product and Company names mentioned herein may be trademarks of their respective owners.  
1-1773700-1 JN 6/2016

USA: +1 (800) 522-6752  
Canada: +1 (905) 475-6222  
Mexico: +52 (0) 55-1106-0800  
Latin/S. America: +54 (0) 11-4733-2200  
Germany: +49 (0) 6251-133-1999

UK: +44 (0) 800-267666  
France: +33 (0) 1-3420-8686  
The Netherlands: +31 (0) 73-6246-999  
China: +86 (0) 400-820-6015