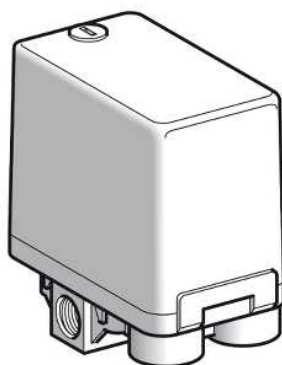


# XMxA12L2135

pressure switch XM 12 bar - adjustable scale  
2 thresholds - 1 C/O



## Main

|   |   |
|---|---|
| Range of product  | OsiSense XM   |
| Pressure sensor type                                    | Electromechanical pressure sensor   |
| Pressure sensor name                                    | XMx   |
| Pressure sensor size                                    | 12 bar  |
| Contacts type and composition                           | 1 C/O snap action   |
| Controlled fluid  | Sea water (0...55 °C)<br>Fresh water (0...55 °C)<br>Air (0...55 °C)                                 |
| Fluid connection type                                   | G 1/4 (female) conforming to ISO 228  |
| Cable entry   | 2 entries tapped for Pg 13.5 cable gland conforming to NF C 68-300                                  |
| Electrical connection                                   | Screw-clamp terminals, clamping capacity: 1 x 1...2 x 2.5 mm <sup>2</sup>                           |
| Electrical circuit type                                 | Control circuit   |
| [In] rated current                                      | 0.1 A (Ue = 250 V), DC-13, R300<br>1.5 A (Ue = 240 V), AC-15, B300<br>3 A (Ue = 120 V), AC-15, B300 |
| Setting   | Internal  |
| Colour of cover   | Black opaque  |
| Pressure switch type of operation                       | Regulation between 2 thresholds   |
| Scale type  | Fixed differential  |
| Local display   | Without   |
| Enclosure material                                      | PC impregnated with Lexan 500R  |
| Adjustable range of switching point on rising pressure  | 1.3...12 bar  |
| Adjustable range of switching point on falling pressure | 0.3...10.3 bar  |
| Pressure actuator                                       | Diaphragm   |
| Possible differential minimum at high setting           | 1.7 bar   |
| Possible differential minimum at low setting            | 1 bar   |
| Destruction pressure                                    | 30 bar  |
| Materials in contact with fluid                         | Canvas covered nitrile<br>Chromated zinc alloy  |
| Maximum permissible accidental pressure                 | 27 bar  |

## Complementary

|  |                                  |
|--|----------------------------------|
| Height                                   | 106 mm                           |
| Width                                    | 57 mm                            |
| Depth                                    | 97.5 mm                          |
| Operating position                       | Any position                     |
| Maximum permissible pressure - per cycle | 15 bar                           |
| Short circuit protection                 | 10 A cartridge fuse type gG (gl) |
| Operating rate                           | 10 cyc/mn                        |

|  |  |
|--|--|
| [Ui] rated insulation voltage          | 500 V conforming to EN/IEC 60947-1                       |
| [Uimp] rated impulse withstand voltage | 6 kV conforming to EN/IEC 60947-1                        |
| Electrical durability                  | 1000000 cycles, 50/60 Hz, AC-15, 240 V / 3 A, lth = 10 A |
| Mechanical durability                  | 1000000 cycles   |
| Repeat accuracy                        | < 3.5 %  |
| Product weight                         | 0.43 kg  |

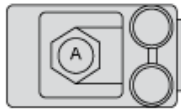
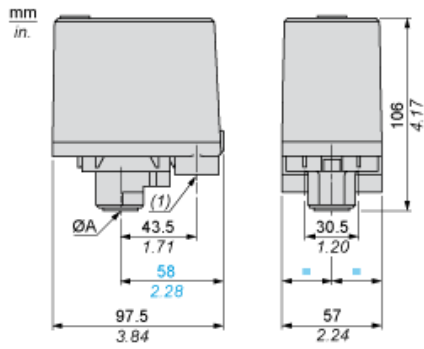
## Environment

|  |                                 |
|--|---------------------------------|
| Standards                                  | CE<br>EN/IEC 60947-5-1          |
| Product certifications                     | CCC<br>CSA<br>UL                |
| Ambient air temperature for operation      | -25...55 °C                     |
| Ambient air temperature for storage        | -40...70 °C                     |
| Protective treatment                       | TC                              |
| Class of protection against electric shock | Class I conforming to IEC 536   |
| IP degree of protection                    | IP54 conforming to EN/IEC 60529 |

## Offer Sustainability

|                                  |   |
|----------------------------------|---|
| Sustainable offer status         | Green Premium product   |
| RoHS (date code: YYWW)           | Compliant - since 0627 - <a href="#">Schneider Electric declaration of conformity</a> |
| REACH                            | Reference not containing SVHC above the threshold                                     |
| Product environmental profile    | Available <a href="#">Download Product Environmental</a>                              |
| Product end of life instructions | Need no specific recycling operations   |

Dimensions

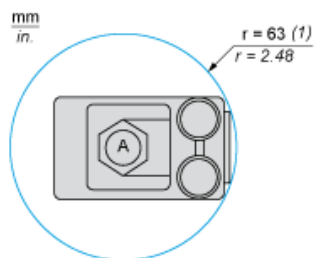


- (A) G 1/4 (female)
- (1) 2 tapped entries PG 13.5

---

Minimum Mounting Clearance

---



(ØA) G 1/4 (female)

(1) Minimum clearance zone for screwing-on pressure switch at point A

---

## Wiring Diagram

---

### Connections

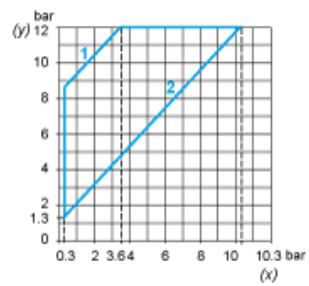


---

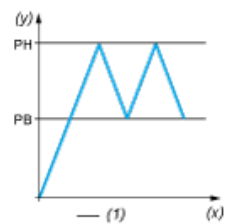
Curves

---

Operating Curves



- (y) Rising pressure
- (x) Falling pressure
- 1 : Maximum differential
- 2 : Minimum differential



- (y) Pressure
- (x) Time
- (1) Adjustable value