

General Specifications

Motor Protection:

Auto Restart/Polarity Protection

Insulation Resistance:

10M Ω or over with a DC500V Megger

Dielectric Withstand Voltage: AC 700V 1s

Allowable Ambient Temperature Range:

-10°C ~ +70°C (Operating)

-40°C ~ +70°C (Storage)

IP Code: IP69K

Expected Life

25°C 100,000 Hours (L10)

Material

Casing : Plastic (Black) UL94V-0

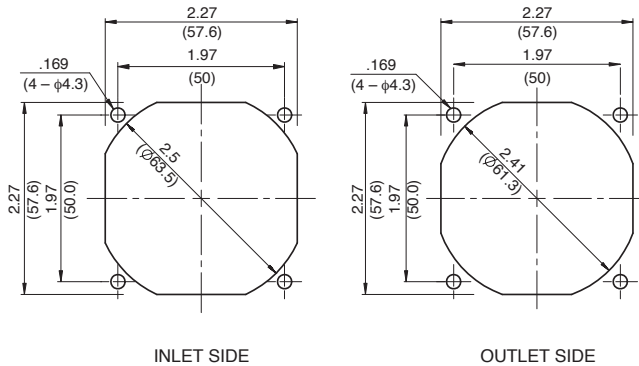
Impeller : Plastic (Black) UL94V-0

Bearing : Ball Bearing

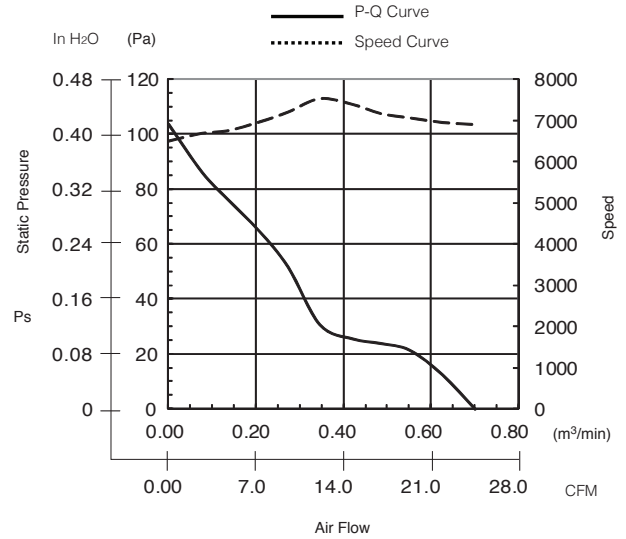
Lead Wire : UL3385, AWG26, +Red, -Black

Panel Cut-Outs

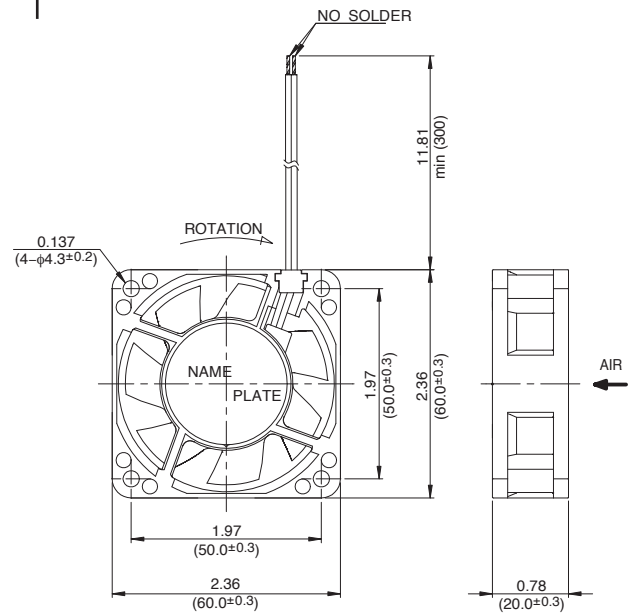
Units: $\frac{\text{inch}}{\text{mm}}$



Characteristic Curves



Outline



Specifications

| MODEL | Rated Voltage | Operating Voltage | Current | Input Power | Speed | Max. Air Flow | | Max. Static Pressure | | Noise | Mass |
|-------------------|---------------|-------------------|-------------------|-------------------|------------------------------------|-------------------|-------------------------------------|----------------------|--------------------|--------------------|------|
| | (V) | (V) | (A) ^{*1} | (W) ^{*1} | (min ⁻¹) ^{*1} | CFM ^{*1} | (m ³ /min) ^{*1} | in H ₂ O | (Pa) ^{*1} | (dB) ^{*1} | (g) |
| 06020VA-24Q-CAS-0 | 24 | 10.0 ~ 26.4 | 0.15 | 3.60 | 6900 | 24.72 | 0.70 | .40 | 100 | 42.0 | 80 |

Rotation: Clockwise

Airflow Outlet: Air Out Over Struts

*1: Average Values in Free Air

Note: PWM/Locked Rotor/Tach Available