

Product Change Notice

Issue Date: 06.10.2014

Change Type:

Design related: minor design change of duplex connector

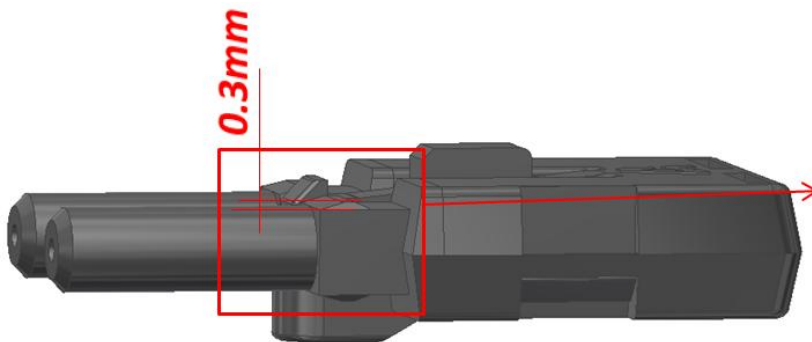
Parts Affected:

Duplex Connector AFBR-4526Z

Description and Extent of Change:

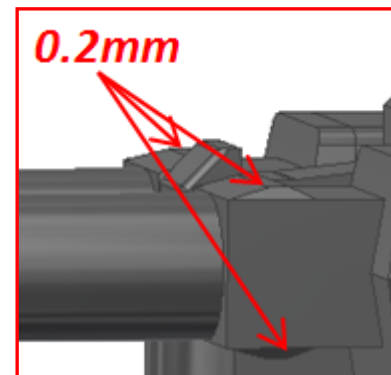
Reduction of ridge-height, details see below pictures. The connector material remains unchanged.

Before modification:



After modification:

Reduce height of ridges from 0.3mm to 0.2mm



Reasons for Change:

Connector the housing retention force is too high when latch is pressed down. Therefore it is difficult to unplug connector from versatile link housing. The reduction of the thickness reduces the necessary force to unplug the connector.

The retention force connector to housing is unchanged if the latch is not pressed.

Effect of Change on Fit, Form, Function, Quality, or Reliability:

The visually noticeable change is intended to improve the retention force of the connector. There is no effect on optical performance of the product

Effective Date of Change:

Product shipments using this change will begin on 01.01.2015, or later. Timing of shipment of the changed part will vary depending on customer demand and inventory levels.

Recommended Action to be Taken by Customer:

- 1) Please return any response as soon as possible, but not to exceed 30 days.
- 2) Sample requests must specify the PCN # stated above and shall be placed by your Avago Technologies Field Sales Representative through the Avago Technologies FOMFGS ordering system.

Qualification Data:

No product-qualification is needed. A use test to ensure proper function of the connector has been performed. All test results are within the limits as specified in the AFBR-4526Z product datasheet. Results on this test can be provided upon request.

These changes have been reviewed and approved by Avago Technologies engineers and managers per Avago Technologies procedure: Change Control and Customer Notification, A-5962-6052-80.

Please contact your Avago Technologies field sales engineer or Contact Center (<http://www.avagotech.com/contact/>) for any questions or support requirements. Please return any response as soon as possible, but not to exceed 30 days.