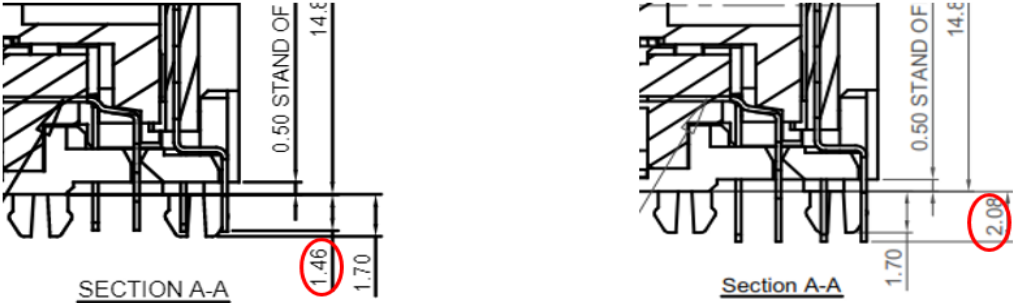


PRODUCT CHANGE NOTICE (QR18)

Notification Date: 11th January 2016	PCN # USB1100 C PCN 20160111
--------------------------------------	---------------------------------

Drawing Revision Letter: C

Product Identification: USB1100-30-A Effective from date code/batch code: Run out existing stock

Description of Changes 1. Change in Solder Tail dimension from 1.46 to 2.08mm  <div style="display: flex; justify-content: space-around; margin-top: 20px;"> <div style="text-align: center;"> <p>Before (Rev B)</p> </div> <div style="text-align: center;"> <p>After (Rev C)</p> </div> </div>
--

Reason for Change Process improvement

Anticipated impact on form, fit, function, or reliability Solder Tail increased in length. No impact on PCB layout or reduced function
--

Required Inventory Action None - Running Change

Contact Information If there are any questions, comments or suggestions regarding this notice please contact GCT
--