




HIRSCHMANN

A BELDEN BRAND

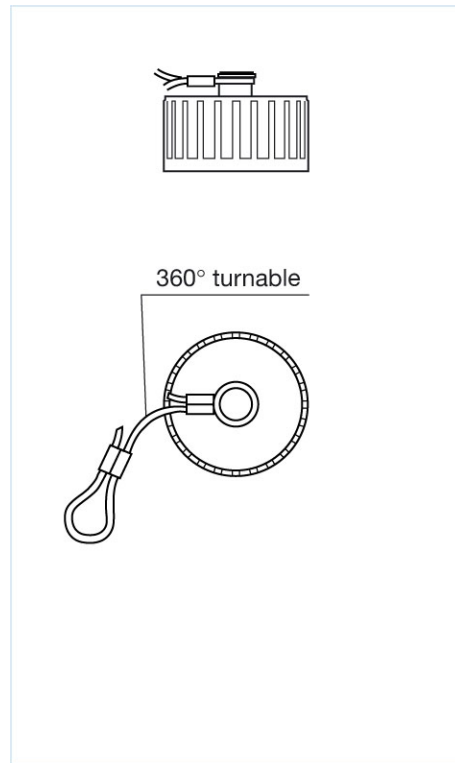
Product information CM 02 SD 14S

Industrial Connecting Solutions: Circular Connectors: MIL, DIN, Universal Connectors: MIL-C-5015 or VG 95342 Connectors (CM series): Accessories CM-series: CM 02 SD 14S

<https://e-catalog.hirschmann.com:443/link/57078-24228-256281-256284-24363-24366-36159/en/conf/ulistate>

| | |
|--|---|
| Name | CM 02 SD 14S |
| |  |
| | Cap for surface mounted connector |
| Delivery informations | |
| Availability | available |
| Product description | |
| Description | Cap for surface mounted connector |
| Type | CM 02 SD 14S |
| Order No. | 831 620-100 |
| Number of contacts | for 3, 4, 5, 6, 6 + PE |
| Housing Color | black |
| Technical data | |
| Type of termination | screw |
| Material | |
| Housing material | PA 66-GF 25 |
| Environmental conditions | |
| Temperature range | -40 °C to +90 °C |
| Packing unit | |
| Packaging unit | 100 pieces |
| Scope of delivery and accessories | |
| Scope of delivery | cap with internal thread, nylon loop |
| Accessories to order separately | can be plugged into CM 02 E 14S-..., CM 02 L 14S-... |

Picture
Drawing



Belden Deutschland GmbH
Im Gewerbepark 2
58579 Schalksmühle
Germany
Phone: +49 7127/14-1806
E-Mail: icos-sales@belden.com

The information published in the websites has been compiled as carefully as possible. It is subject to alteration without notice in technical as well as in price-related/commercial respect. The complete information and data were available on user documentation. Mandatory information can only be obtained by a concrete query.