



0.5 Nm 3.5 Watts Part number 82334677



Mechanical strength: 0.5 Nm
 Constant speed, dependent on supply frequency
 Wide range of speeds available
 Direction of rotation controlled by dephasing capacitor
 Permanent magnet rotor
 UL, CSA, VDE approved, comply with IEC standards

Part numbers

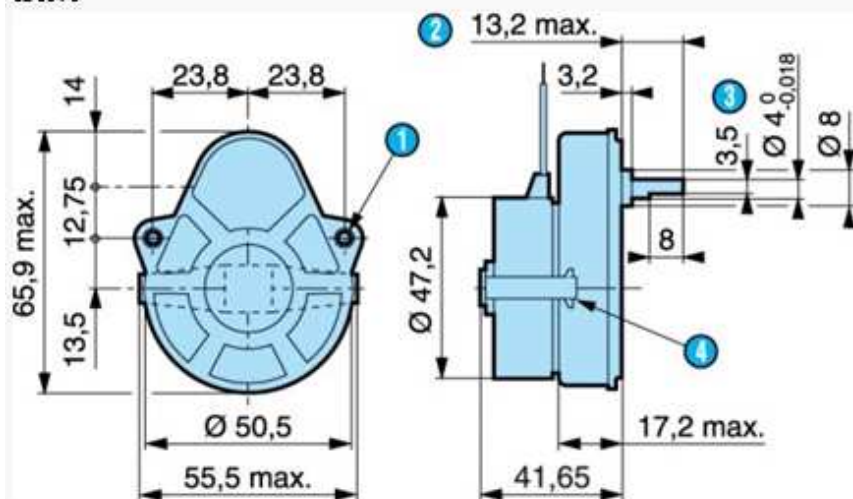
	Type	Type	Output speed	Ratios (i)	Direction of rotation	Voltage / Frequency
82 334 677	3.5 Watts	82 334 5	20 rpm	30	Counter-Clockwise	115/230 V - 50 Hz

Specifications

Motor	82 330 5
Gearbox	81 021 0
Maximum permitted continuous rated gearbox output torque for 1 million revolutions of gearbox output shaft (Nm)	0.5
Axial load static (daN)	1
Radial load static (daN)	8
Absorbed power (W)	3,5
Motor output (W)	0,42
Maximum temperature rise (°C)	55
Ambient temperature (°C)	-5 → +60
Weight (g)	210
Wires length mm (approximately)	250
Protection rating	IP40

Dimensions (mm)

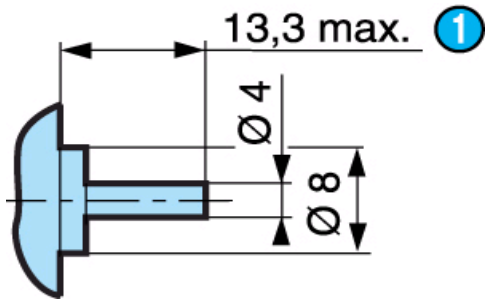
82 334 5



N°	Legend
1	2 fixing holes Ø 3.2
2	(pushed-in shaft)
3	3.5 across flat
4	Fixing clip

Dimensions (mm)

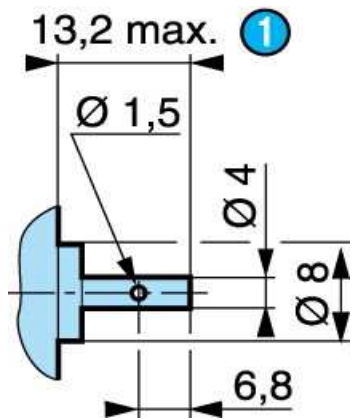
Shaft 79 200 967



N°	Legend
1	(pushed-in shaft)

Dimensions (mm)

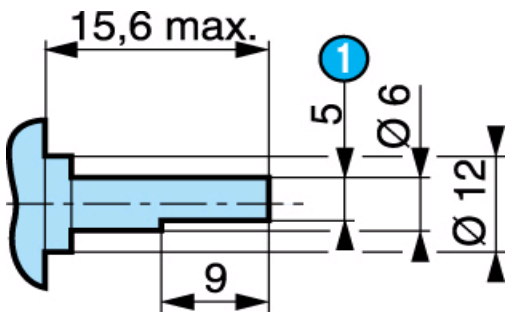
Shaft 79 200 779



N°	Legend
1	(pushed-in shaft)

Dimensions (mm)

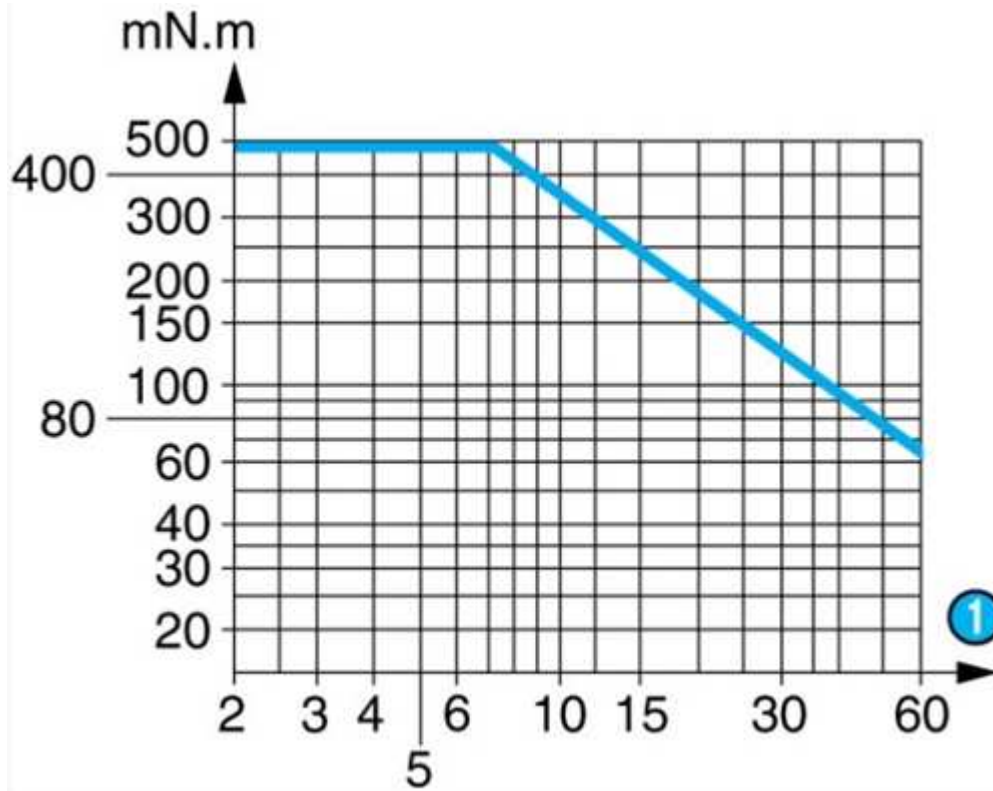
Shaft 70 999 421 SP 1295-10



N°	Legend
1	(pushed-in shaft)

Curves

Graph of torque versus speed 82 334 5



N°	Legend
1	RPM

Product adaptations



- Different voltages available
- Special cable lengths
- Special connectors
- Special output shafts
- Special gearbox ratios
- Special gear wheel material
- Special output bearings