

Single direction synchronous geared motors

→ 0.5 Nm 3.5 Watts

- Mechanical strength : 0.5 Nm
- Constant speed, dependent on supply frequency
- Wide range of speeds available
- Direction of rotation controlled by long-life mechanical anti-return device
- Permanent magnet rotor



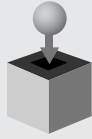
Specifications

		3.5 Watts	3.5 Watts	3.5 Watts	3.5 Watts
Type		82 334 5	82 334 5	82 334 5	82 334 5
Voltage / Frequency		115 V 60 Hz	115 V 60 Hz	220 V 60 Hz	220 V 60 Hz
Direction of rotation		Counter-clockwise	Clockwise	Counter-clockwise	Clockwise
Output speed	Ratios (i)				
72 rpm	10	82 334 5A20072MB ●	82 334 5A10072MB ●	82 334 5J20072MB ●	82 334 5J10072MB ●
60 rpm	12	82 334 5A20060MB ●	82 334 5A10060MB ●	82 334 5J20060MB ●	82 334 5J10060MB ●
36 rpm	20	82 334 5A20036MB ●	82 334 5A10036MB ●	82 334 5J20036MB ●	82 334 5J10036MB ●
24 rpm	30	82 334 5A20024MB ●	82 334 5A10024MB ●	82 334 5J20024MB ●	82 334 5J10024MB ●
18 rpm	40	82 334 5A20018MB ●	82 334 5A10018MB ●	82 334 5J20018MB ●	82 334 5J10018MB ●
15 rpm	48	82 334 5A20015MB ●	82 334 5A10015MB ●	82 334 5J20015MB ●	82 334 5J10015MB ●
14.4 rpm	50	82 334 5A214.4MB ●	82 334 5A114.4MB ●	82 334 5J214.4MB ●	82 334 5J114.4MB ●
12 rpm	60	82 334 5A20012MB ●	82 334 5A10012MB ●	82 334 5J20012MB ●	82 334 5J10012MB ●
9 rpm	80	82 334 5A20009MB ●	82 334 5A10009MB ●	82 334 5J20009MB ●	82 334 5J10009MB ●
7.2 rpm	100	82 334 5A207.2MB ●	82 334 5A107.2MB ●	82 334 5J207.2MB ●	82 334 5J107.2MB ●
6 rpm	120	82 334 5A20006MB ●	82 334 5A10006MB ●	82 334 5J20006MB ●	82 334 5J10006MB ●
4.8 rpm	150	82 334 5A204.8MB ●	82 334 5A104.8MB ●	82 334 5J204.8MB ●	82 334 5J104.8MB ●
3.6 rpm	200	82 334 5A203.6MB ●	82 334 5A103.6MB ●	82 334 5J203.6MB ●	82 334 5J103.6MB ●
3 rpm	240	82 334 5A20003MB ●	82 334 5A10003MB ●	82 334 5J20003MB ●	82 334 5J10003MB ●
2.4 rpm	300	82 334 5A202.4MB ●	82 334 5A102.4MB ●	82 334 5J202.4MB ●	82 334 5J102.4MB ●
1.2 rpm	600	82 334 5A201.2MB ●	82 334 5A101.2MB ●	82 334 5J201.2MB ●	82 334 5J101.2MB ●
1 rpm	750	82 334 5A20001MB ●	82 334 5A10001MB ●	82 334 5J20001MB ●	82 334 5J10001MB ●
0.6 rpm	1,200	82 334 5A200.6MB ●	82 334 5A100.6MB ●	82 334 5J200.6MB ●	82 334 5J100.6MB ●
0.4 rpm	1,800	82 334 5A200.4MB ●	82 334 5A100.4MB ●	82 334 5J200.4MB ●	82 334 5J100.4MB ●
0.3 rpm	2,400	82 334 5A200.3MB ●	82 334 5A100.3MB ●	82 334 5J200.3MB ●	82 334 5J100.3MB ●
0.24 rpm	3,000	82 334 5A20.24MB ●	82 334 5A10.24MB ●	82 334 5J20.24MB ●	82 334 5J10.24MB ●
0.12 rpm	6,000	82 334 5A20.12MB ●	82 334 5A10.12MB ●	82 334 5J20.12MB ●	82 334 5J10.12MB ●
6.00 rph	7,200	82 334 5A20006HB ●	82 334 5A10006HB ●	82 334 5J20006HB ●	82 334 5J10006HB ●
4.80 rph	9,000	82 334 5A204.8HB ●	82 334 5A104.8HB ●	82 334 5J204.8HB ●	82 334 5J104.8HB ●
3.60 rph	12,000	82 334 5A203.6HB ●	82 334 5A103.6HB ●	82 334 5J203.6HB ●	82 334 5J103.6HB ●
3.00 rph	14,400	82 334 5A20003HB ●	82 334 5A10003HB ●	82 334 5J20003HB ●	82 334 5J10003HB ●
1.20 rph	36,000	82 334 5A2001.2HB ●	82 334 5A1001.2HB ●	82 334 5J2001.2HB ●	82 334 5J1001.2HB ●
0.60 rph	72,000	82 334 5A200.6HB ●	82 334 5A100.6HB ●	82 334 5J200.6HB ●	82 334 5J100.6HB ●
1/10 rph	432,000	82 334 5A200.1HB ●	82 334 5A100.1HB ●	82 334 5J200.1HB ●	82 334 5J100.1HB ●
1/20 rph	864,000	82 334 5A20.05HB ●	82 334 5A10.05HB ●	82 334 5J20.05HB ●	82 334 5J10.05HB ●
General characteristics					
Motor		82 330 5	82 330 5	82 330 5	82 330 5
Gearbox		81 021 0	81 021 0	81 021 0	81 021 0
Maximum permitted torque from gearmotor under continuous conditions for 1 millions turns of the gearmotor Nm		0.5	0.5	0.5	0.5
Axial load (static) daN		1	1	1	1
Radial load (static) daN		8	8	8	8
Absorbed power (W)		3.5	3.5	3.5	3.5
Motor output (W)		0.42	0.42	0.42	0.42
Maximum temperature rise (°C)		55	55	55	55
Ambient temperature (°C)		-5 → +60	-5 → +60	-5 → +60	-5 → +60
Weight (g)		210	210	210	210
Wires length mm (approximately)		250	250	250	250
Protection rating		IP40	IP40	IP40	IP40

Products and specifications subject to change without notice.

Order/Technical Support - Tel: (800) 677-5311 / FAX: (800) 677-3865 / www.crouzet-usa.com

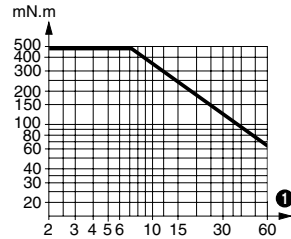
Products adaptations, available on request



- Special supply voltages
- Special cable lengths
- Special connectors
- Special output shafts
- Special gearbox ratios
- Special gear material
- Special output bearings
- Special mounting plate

Curves

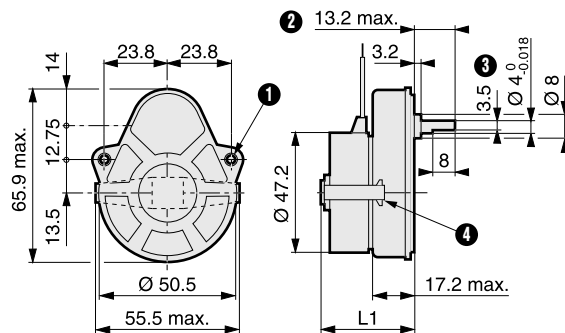
Graph of torque versus speed 82 334 5



① RPM

Dimensions

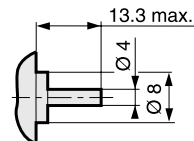
82 334 5



- ① 2 fixing holes $\text{Ø } 3.2$
- ② (pushed-in shaft)
- ③ 3.5 across flat
- ④ Fixing clip

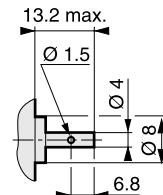
Options

Shaft 79 200 967



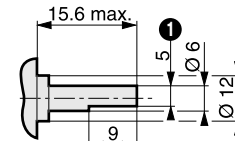
- ① (pushed-in shaft ←)

Shaft 79 200 779



- ① (pushed-in shaft ←)

Shaft 70 999 421 SP1295-10



- ① Across flat

Other information

The speed of a motor powered by a 60 Hz supply is 20 % higher than that of a motor powered by a 50 Hz supply.

Products and specifications subject to change without notice.

Order/Technical Support - Tel: (800) 677-5311 / FAX: (800) 677-3865 / www.crouzet-usa.com